

**EVERY  
THING  
YOU NEED  
TO KNOW  
ABOUT YOUR**

**XO**

**XOU24WDZGOA**

ALL PURPOSE DUAL ZONE WINE COOLER

I worked really hard  
on this manual -  
so please read it.

**XO**



When buying any XO appliance you can be confident you have chosen a high quality, innovative and stylish product from a company that cares about you! If you require service or have questions, Help is only a phone call away -  
**call: 973-403-8900**  
Talk to one of our undercounter experts.



## **CONGRATULATIONS**

on purchasing your XO.  
Before you proceed, take just a moment to register your XO at:

[www.xoappliance.com/register-your-product/](http://www.xoappliance.com/register-your-product/)

### **REGISTRATION HELPS YOU BY -**

- Ensuring warranty coverage should you need service
- Providing ownership verification for insurance purposes
- Let's XO notify you in the event of product changes or recalls.

# WHERE THINGS ARE

## **Before You Get Started**

4 - 7

Installer Checklist  
Find Your Model  
Safety Instructions  
Electrical and Grounding Instructions

## **Installation Instructions**

8 - 19

Reversing the Door Swing  
Sizes and Installation Dimensions  
Integrated Panel Dimensions  
Optional Stainless Overlay Panel  
Leveling Your XO

## **Operating Instructions**

20 - 26

Product Overview  
Control System Overview  
Setting the Temperature  
Functions  
Wine and Beverage Storage  
Storage Tips

## **Care and Cleaning**

25 - 26

Helpful Hints  
Cleaning the Interior / Exterior  
Changing the Carbon Air Purification Filter

## **FAQ's**

27 - 28

Before You Call For Service  
Warranty

PLEASE READ AND FOLLOW  
ALL SAFETY INSTRUCTIONS

It's for your  
own good...  
Honest.

# DEAR INSTALLER

## THE JOB ISN'T DONE UNTIL

To ensure that the installation process is successfully completed, here are few things to review...

- Is the unit plugged in?
- Are the controls on? (Panel will illuminate.)
- Are the controls operating correctly?
- Has the unit been properly leveled - both side to side and front to back - with all 4 leveling feet securely making contact with the floor?
- This is an OVERLAY unit - have the panels been securely attached and properly aligned?
- After installation, does the door open sufficiently to fully extend the shelves?
- Is the door sealing properly?
- Is the handle secure?
- Have you thoroughly inspected all surfaces for any imperfections?
- Have you reviewed this manual with the customer and explained the unit's operation and care?
- Has the customer received copies of the literature and keys?
- Have you properly disposed of all packing materials properly (recycle, please)?
- Is the customer satisfied?

### **DANGER**

#### RISK OF CHILD ENTRAPMENT!

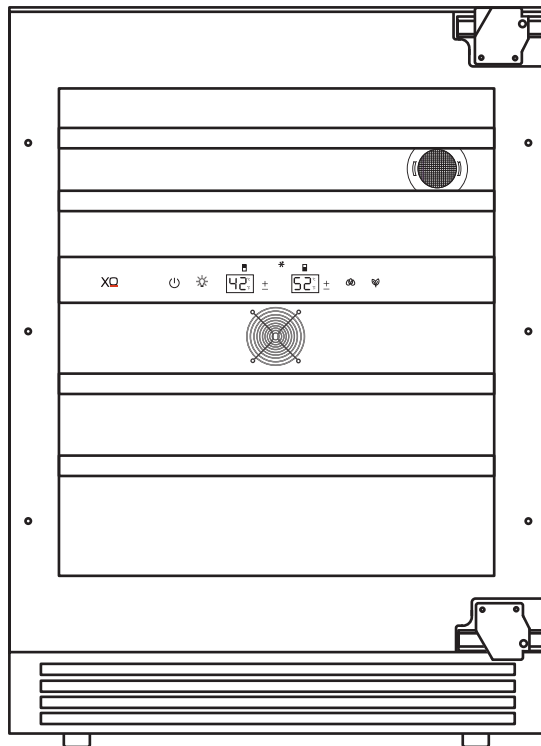
An empty refrigerator is a very dangerous attraction to children.

Remove door gaskets, latches, lids, lock and/or doors from unused or discarded appliances, or take other actions to guarantee them harmless.

Always dispose of old appliances in accordance with local laws and regulations.

# THIS IS THE MODEL COVERED IN THIS BOOK

## WINE COOLER



XOU24WDZGOA

ACCOMMODATES

EUROPEAN | ADA | AMERICAN STANDARD  
CABINETRY

RECORD YOUR SERIAL NUMBER  
HERE IN CASE YOU NEED IT LATER



# YOUR SAFETY MATTERS

## Please read through completely before using your XO Unit

To prevent damage to the door gasket, the door must be opened all the way before pulling racks out.

The appliance must be positioned so that the plug is accessible.

Empty your XO unit before attempting to move the appliance. Moving while loaded may damage or distort the frame.

The compressor will get HOT during operation / touching it may cause injury.

During installation follow all safety tips provided in this manual / appropriate safety equipment such as safety glasses and work gloves should be worn.

Two people should move or lift your XO unit to prevent injury or damage.

Remove all interior and exterior packing materials prior to installation and dispose of properly.

Never cover the bottle racks with foil or other material which will impede internal air circulation.

For maximum efficiency, keep the door tightly shut unless loading or unloading and never overload your XO unit.

Before installing, allow your XO unit to sit upright for 2 hours at the install site. This will allow the cooling system to stabilize after transportation. Failure to follow this step may cause problems.

Never store perishable food products such as meat or cheese in your wine cooler.

## Location

Your XO unit should be located away from direct sunlight and heat sources (stove, heaters, etc.) which may increase electrical consumption. High or low ambient temperature may cause units to work improperly.

The floor must be strong enough to support your XO unit fully loaded.

Your XO unit must not be installed in areas of where water or excessive moisture are present.

Your XO unit must not be installed near where flammable, corrosive or hazardous materials are present.

Your XO unit's final installation must observe the correct minimum air clearances around and behind the unit to ensure adequate ventilation. In addition, all ventilation openings must be kept clear and free of obstructions, failure to do so will result in damage to the unit.

## WARNING

NEVER use external heat sources to accelerate defrosting

NEVER permit unauthorized service or modifications to your XO unit

NEVER tamper with the sealed refrigerant system - this unit uses R600A Refrigerant which is flammable.

It should never be used in the vicinity of any flammable or explosive ignition sources.

ALWAYS FOLLOW THE ELECTRICAL SAFETY INSTRUCTIONS OUTLINED IN THIS MANUAL.

# ELECTRICITY - THIS IS SERIOUS

**Failure To Follow All Electrical Safety Measures May Result in Serious Injury, Fire Or Death**

All electrical work should only be performed by an experienced, licensed electrician.

All XO units **MUST be grounded for safe operation** and come equipped with a 3 Prong molded cord/plug for that purpose.

NEVER remove or disable the 3rd prong with an adapter.



NEVER use an extension cord to operate your XO unit.



Your XO unit is built to operate on 115V 60Hz and should be plugged directly into a dedicated 15 amp 3 prong outlet. If you are uncertain as to the voltage, amperage capacity or if the 3rd prong is properly grounded - consult a licensed electrician.

To maximize the depth of the installation recess - your outlet should be mounted flush with the wall.

Your XO unit should not share the circuit with any other electrical devices as this may cause overloading, overheating, blown fuses or tripping circuit breakers. In a worst case this can pose a fire hazard.

NEVER handle your XO unit in wet conditions as this can pose a severe danger of electric shock.

Exercise care when moving your XO unit to avoid damage to the electrical cord. If the electrical cord of your XO unit becomes worn or damaged it must be replaced immediately by a qualified technician.

NEVER unplug your unit by pulling on the cord. Unplug by gripping the plug firmly and pull out straight from the outlet.

## INDOOR USE ONLY:

This model is intended for indoor/interior applications only and is not to be used in installations that are open/exposed to natural elements.

This unit is designed to operate between 60°F and 90°F. Higher ambient temperatures may reduce the unit's ability to reach low temperatures and/or reduce performance.

For best performance, keep the unit out of direct sunlight and away from heat generating equipment. In climates where high humidity and dew points are present, condensation may appear on outside surfaces, particularly in non air conditioned spaces. This is considered normal. The condensation will evaporate when the humidity drops.

## CAUTION

Damages caused by ambient extremes are not covered by the warranty

<b>SERVICE</b>	<b>115V - 60 Hz - 1 phase</b>
<b>AMPS</b>	<b>15 Amp Circuit Breaker</b>
<b>Requires a Dedicated Outlet</b>	
<b>All electrical work must be performed by a licensed electrician</b>	

### State of California Proposition 65 Warning (US only) ⚠ WARNING

This product contains chemicals known to the State of California to cause cancer and birth defects or other reproductive harm.  
For more information go to [www.P65Warnings.ca.gov](http://www.P65Warnings.ca.gov)

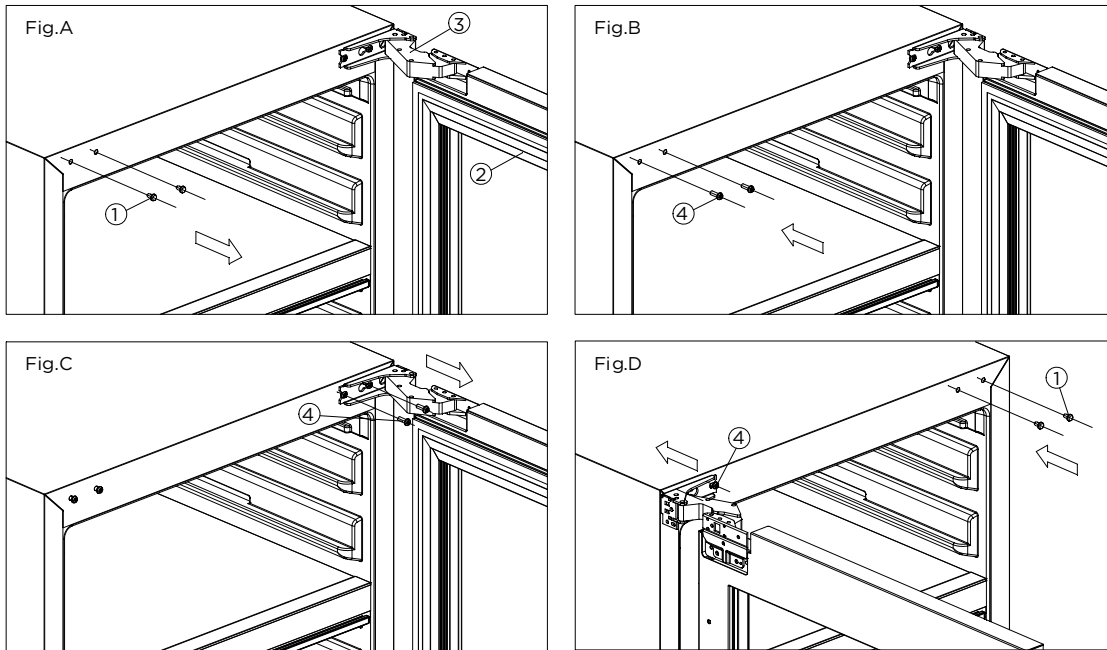
Serious injury, fire or death...  
Okay -  
You've got my attention!

# XO

# RIGHT OR LEFT

## HOW TO CHANGE THE DOOR OPENING

Your XO arrives with a right hand hinged door - but it is easily to reverse if you choose. To reverse the hinge on your unit, follow the directions below:



1. Screw hole covers      2. Door      3.Hinge      4.Screws

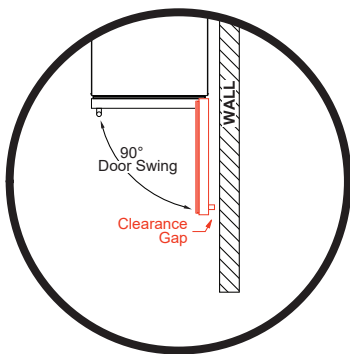
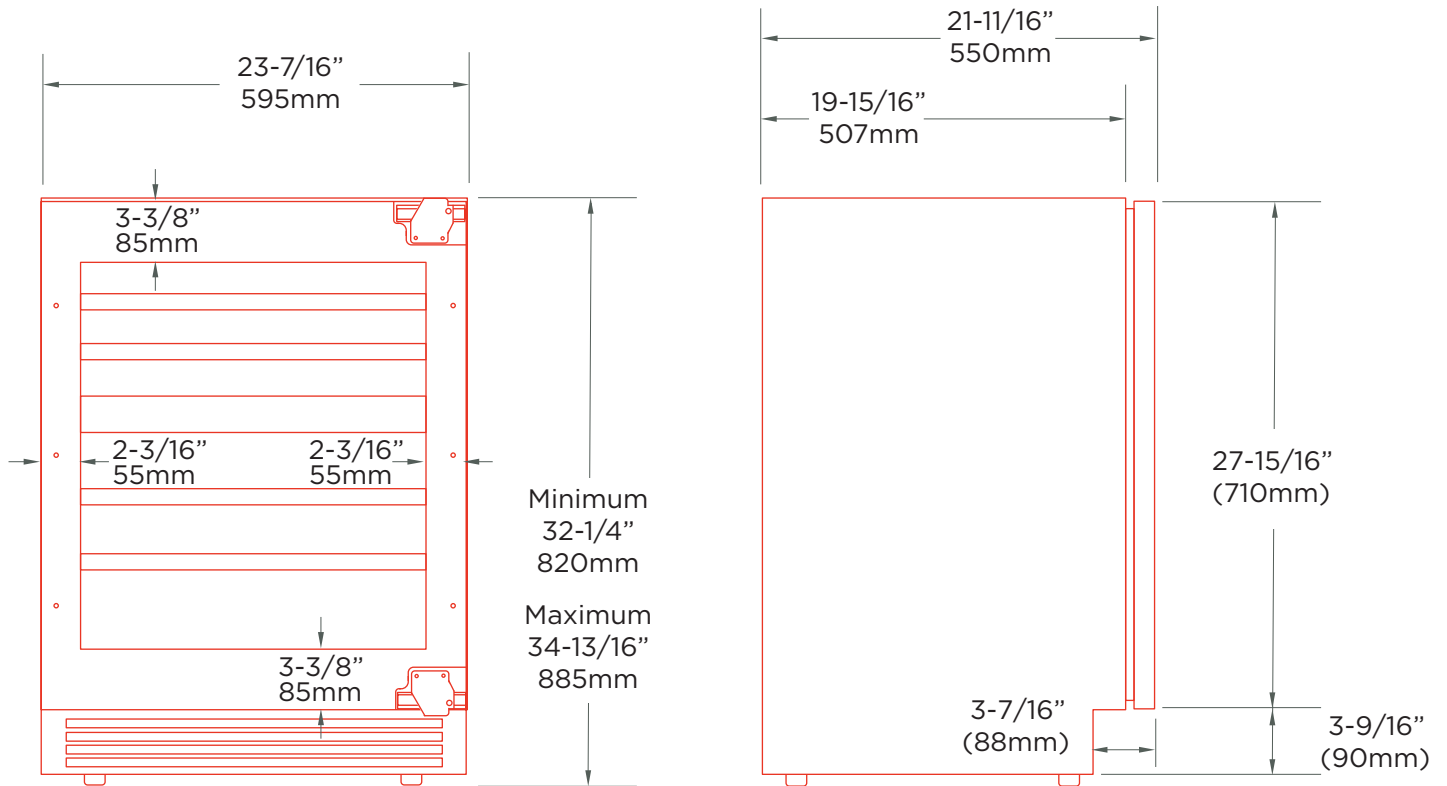
1. Open the door and remove the screw hole covers (1) on the left hand side as shown in Fig A.
2. Start screws into these positions as per Fig B, but do not tighten the screws.
3. Remove all screws from both the upper and lower hinge, and then remove the door.
4. Rotate the door 180 degrees, (top to bottom) and place the hinges onto the screws (4) in Fig B. Slide the slots of the hinge until fully seated against the screws, then tighten the screws to secure the hinges (Fig D).
5. Place the screw hole covers in the right hand side screw holes as shown in Fig D.



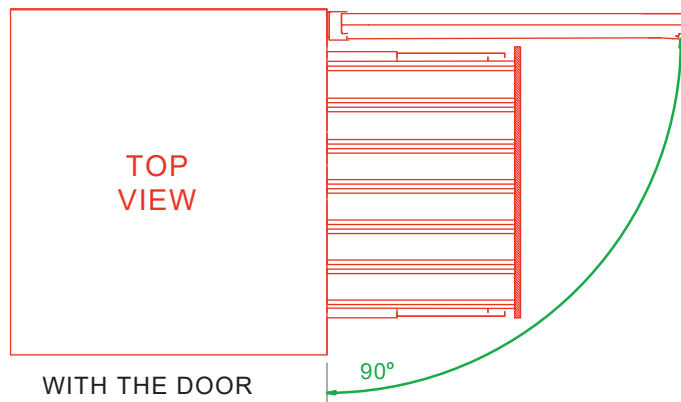
# A PERFECT FIT

YOUR XO IS THIS BIG ( OR SMALL, AS THE CASE WOULD BE )

HEIGHT, WIDTH & DEPTH XOU24WDZGOA 24" WINE COOLER



INSTALLING NEXT TO A WALL, ENSURE ADEQUATE CLEARANCE FOR THE HANDLE



WITH THE DOOR OPEN AT 90° THE UNIT HAS A DEPTH OF 46 1/16" (1170mm)

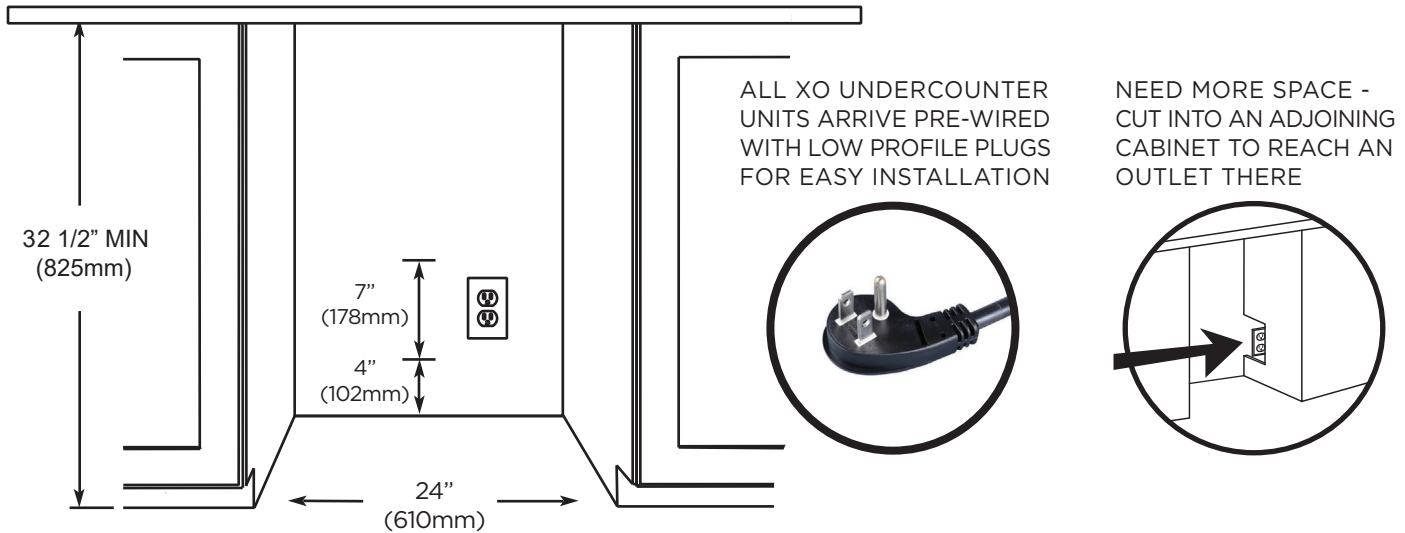
CUSTOM OVERLAY PANELS MAY ADD UP TO 3/4" IN OVERALL DEPTH  
YOUR CHOICE OF CABINET HANDLES WILL ALSO ADD DEPTH

# A PERFECT FIT

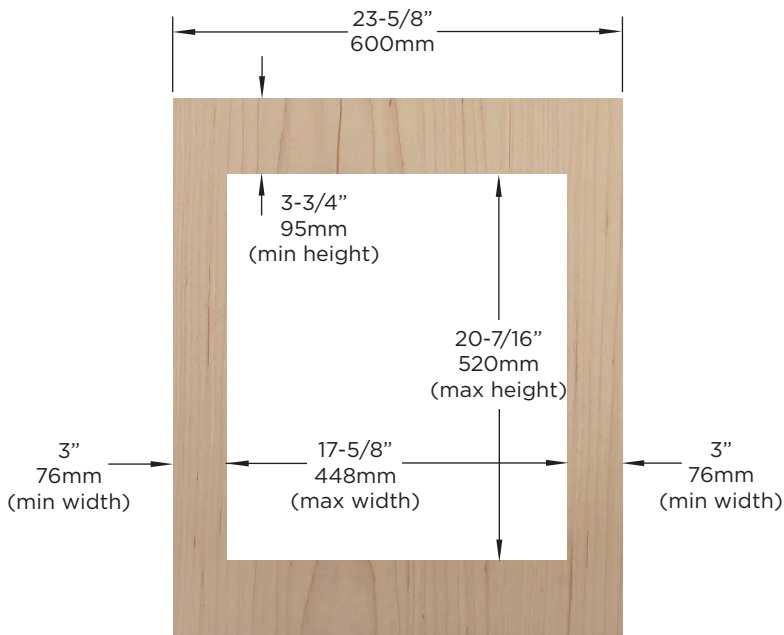
## INSTALLATION UNDER ADA COUNTER

ADA page 10  
 European page 11  
 US Standard page 12  
 continues on page 13

### ROUGH IN DIMENSIONS



### OVERLAY FRAME DIMENSIONS

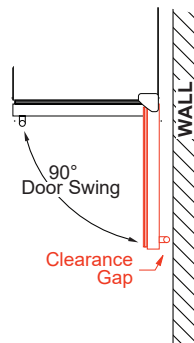


PANEL HEIGHT MINIMUM 27-15/16" (710mm)  
 TO MAKE THE PANEL LONGER  
 ADD HEIGHT BELOW THE WINDOW OPENING

To conceal door completely observe the frame dimensions as minimums.

Extend the panel down to match the height of adjoining cabinetry but the gap between the bottom of the door and the floor must be at least 3" for ventilation

To reduce possibility of warping - overlay frame should be finished on all sides.



WHEN INSTALLING WITH THE HINGE SIDE NEXT TO A WALL - LEAVE ADEQUATE SPACE FOR CABINET HANDLES

DOOR MUST BE ABLE TO OPEN A MINIMUM OF 90°.

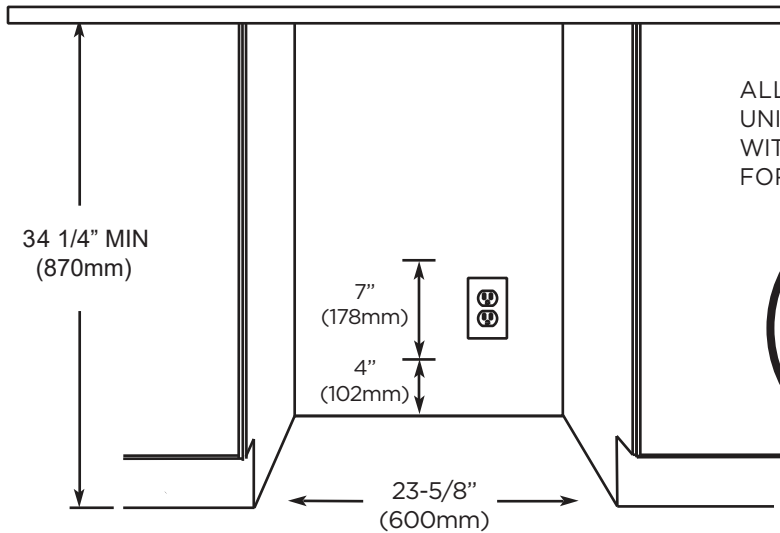
**IF THE DOOR CAN'T OPEN FULLY - YOU CAN'T PULL THE SHELVES OUT.**

# A PERFECT FIT

## INSTALLATION EUROPEAN CABINETS

ADA page 10  
 European page 11  
 US Standard page 12  
 continues on page 13

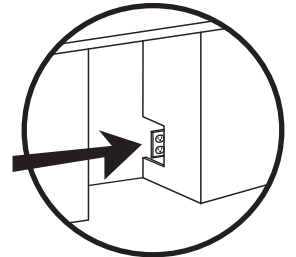
### ROUGH IN DIMENSIONS (720MM DOOR HEIGHT AND 150MM PLINTH)



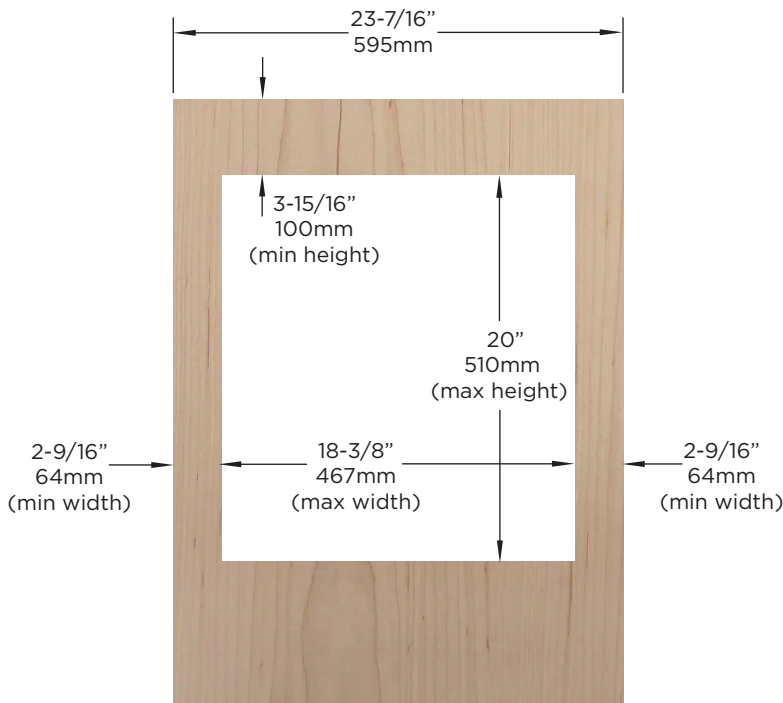
ALL XO UNDERCOUNTER UNITS ARRIVE PRE-WIRED WITH LOW PROFILE PLUGS FOR EASY INSTALLATION



NEED MORE SPACE - CUT INTO AN ADJOINING CABINET TO REACH AN OUTLET THERE



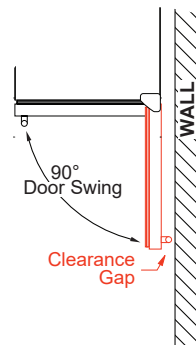
### OVERLAY FRAME DIMENSIONS



To conceal door completely observe the frame dimensions as minimums.

Extend the panel down to match the height of adjoining cabinetry but the gap between the bottom of the door and the floor must be at least 3" for ventilation

To reduce possibility of warping - overlay frame should be finished on all sides.



WHEN INSTALLING WITH THE HINGE SIDE NEXT TO A WALL - LEAVE ADEQUATE SPACE FOR CABINET HANDLES

DOOR MUST BE ABLE TO OPEN A MINIMUM OF 90°.

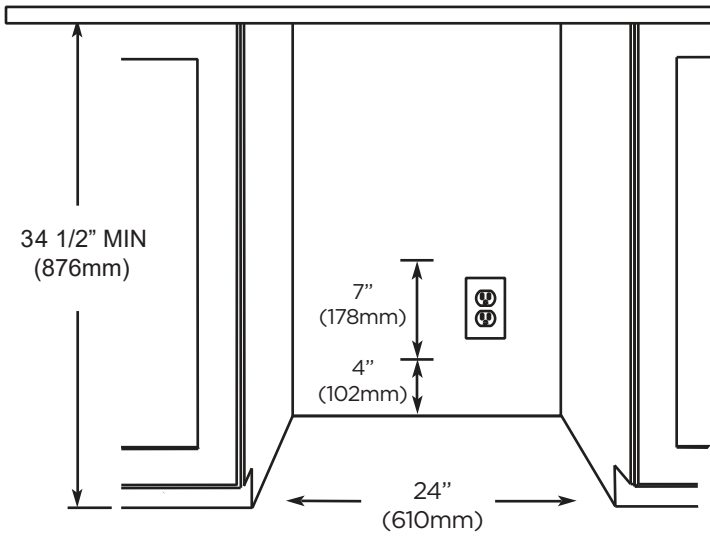
**IF THE DOOR CAN'T OPEN FULLY - YOU CAN'T PULL THE SHELVES OUT.**

# A PERFECT FIT

## INSTALLATION US STANDARD HEIGHT CABINETS

ROUGH IN DIMENSIONS

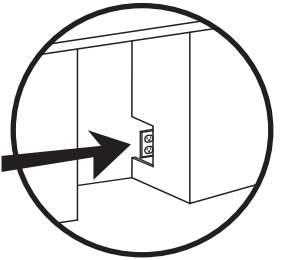
ADA page 10  
 European page 11  
 US Standard page 12  
 continues on page 13



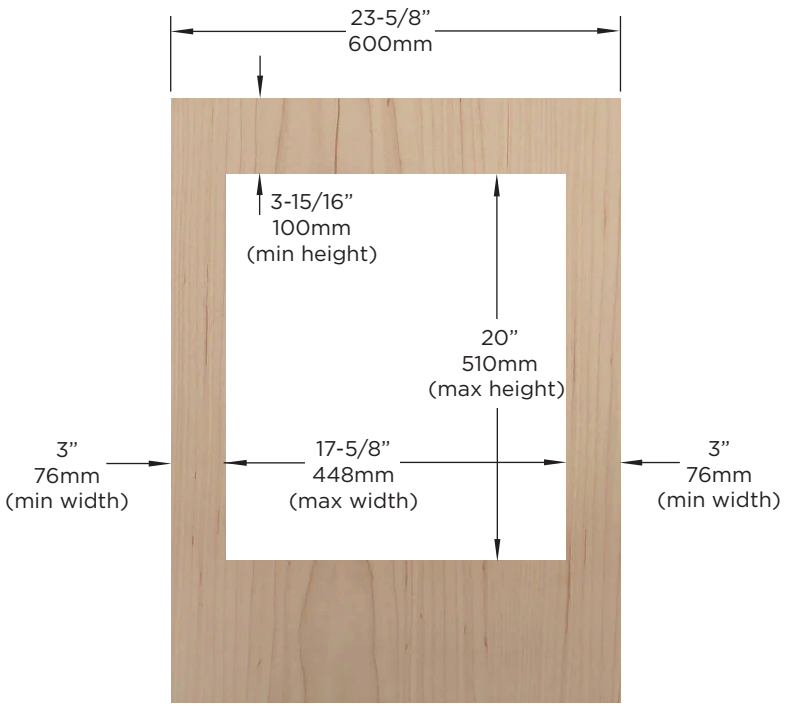
ALL XO UNDERCOUNTER UNITS ARRIVE PRE-WIRED WITH LOW PROFILE PLUGS FOR EASY INSTALLATION



NEED MORE SPACE - CUT INTO AN ADJOINING CABINET TO REACH AN OUTLET THERE



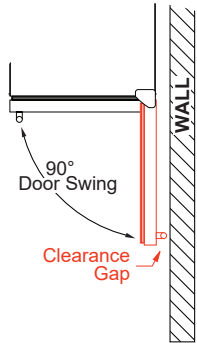
### OVERLAY FRAME DIMENSIONS



To conceal door completely observe the frame dimensions as minimums.

Extend the panel down to match the height of adjoining cabinetry but the gap between the bottom of the door and the floor must be at least 3\"/>

To reduce possibility of warping - overlay frame should be finished on all sides.



WHEN INSTALLING WITH THE HINGE SIDE NEXT TO A WALL - LEAVE ADEQUATE SPACE FOR CABINET HANDLES

DOOR MUST BE ABLE TO OPEN A MINIMUM OF 90°.

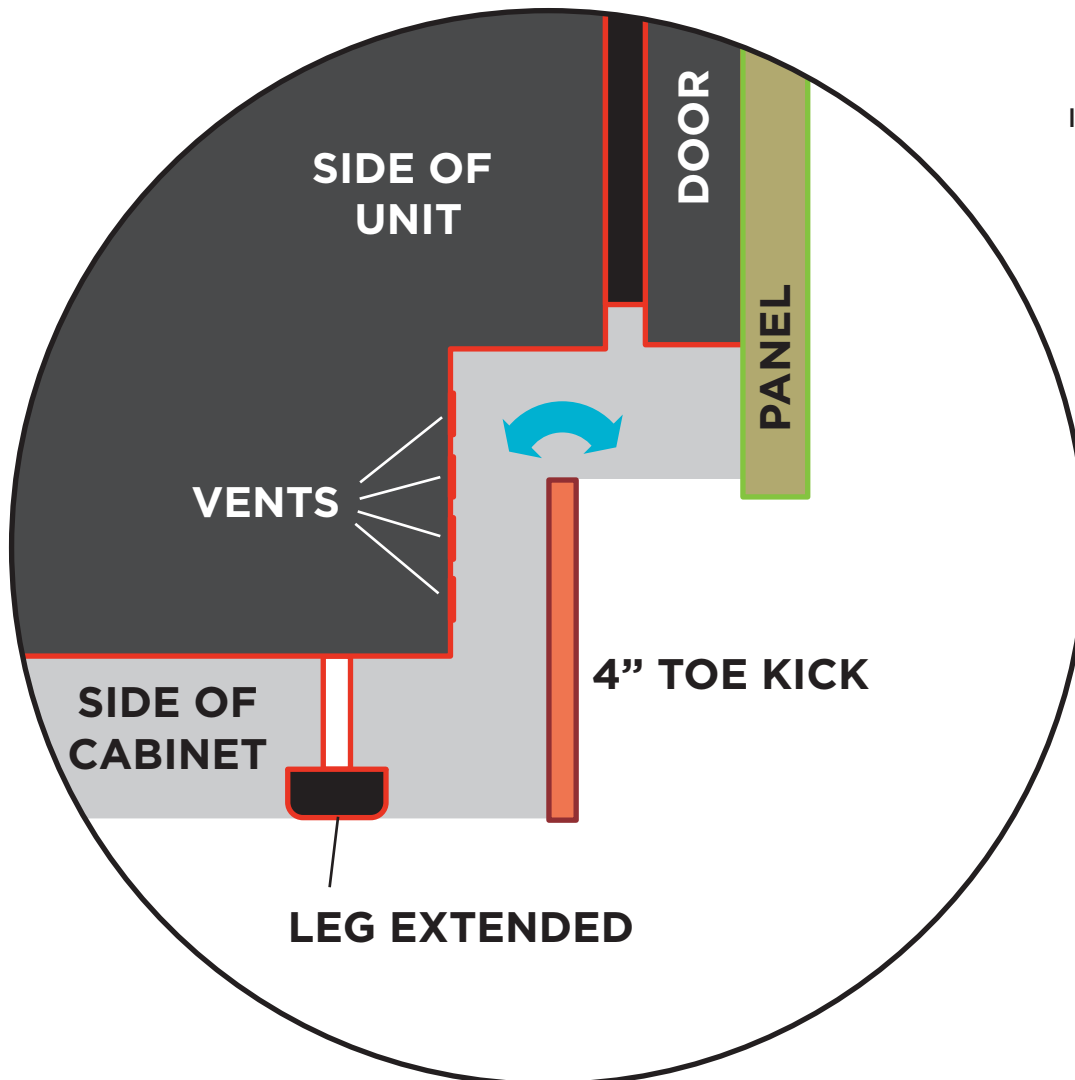
**IF THE DOOR CAN'T OPEN FULLY - YOU CAN'T PULL THE SHELVES OUT.**

# TALKING TOE KICKS

TOE KICKS CAN VARY IN SIZE DEPENDING ON THE STYLE OF CABINETY. THE MOST COMMON ARE 3" DEEP AND 4" TALL. THE DRAWING BELOW IS BASED ON THAT. EXTEND THE LEVELING FEET AT LEAST 2".

INSTALL YOUR OVERLAY PANEL, FOLLOWING THE INSTRUCTIONS IN THIS MANUAL ALLOWING THE APRON TO EXTEND BELOW THE DOOR. THIS WILL HIDE THE TOE KICK WITHOUT OBSTRUCTING IT.

AIR WILL HAVE THE ABILITY TO PASS OVER THE TOE KICK AND UNDER THE LOWER EDGE OF THE DOOR.



IF YOUR INSTALLATION DIMENSIONS ARE MORE RESTRICTIVE OR YOU ARE INSTALLING A 6" TOE KICK, SEE THE ADDITIONAL INSTRUCTIONS BELOW.

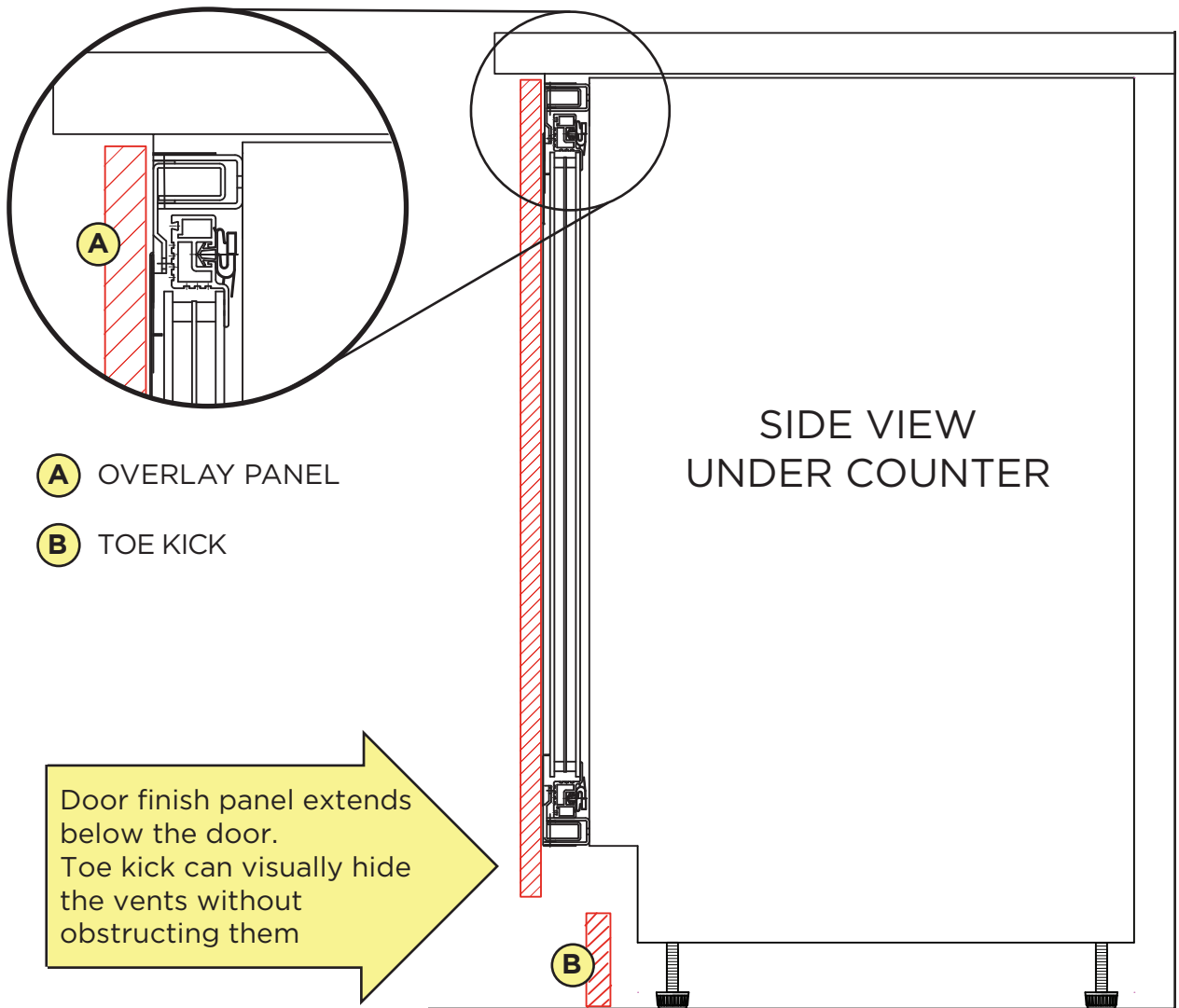
**IMPORTANT: THE VENTILATION OPENINGS LOCATED IN THE TOE KICK MUST NOT BE OBSTRUCTED**

IF YOU ARE USING A CUSTOM PLINTH - AN OPEN AREA MUST BE CUT INTO IT TO PROVIDE ADEQUATE VENTILATION - FAILURE TO DO SO WILL RESULT IN DAMAGE TO THE UNIT.



# LET'S FACE IT

INSTALLATION UNDER A **STANDARD HEIGHT** COUNTER - 4" TOE KICK



The XOU24 GOA series is 32 1/4" Tall. The standard US undercounter refrigerator is 34" Tall. Allow the additional panel length to extend as an apron below the door. The panel extension and toe kick are now able to visually hide the vents without obstructing air flow.

**DOOR PANELS MUST BE FINISHED FRONT AND BACK TO PREVENT WARPING.**

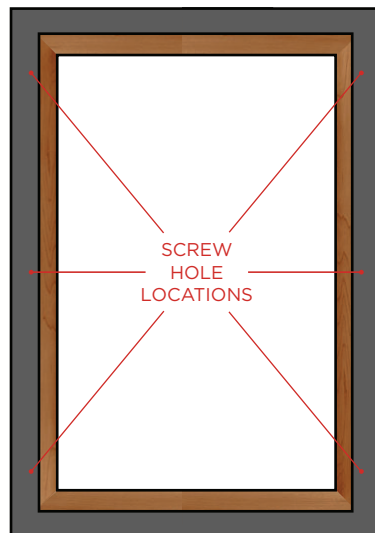
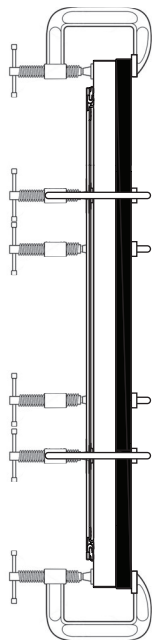
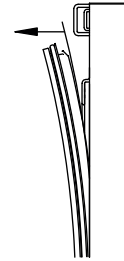
PANEL MAXIMUM WEIGHT: 20 lbs.

MAXIMUM PANEL THICKNESS 3/4" ± (19mm)

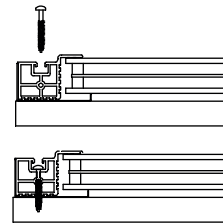
# LET'S FACE IT

BEFORE BEGINNING: Attach any handle hardware before mounting the panel to the door frame.

1. Fully open the door and starting at one corner pull the gasket out of the gasket channel.
2. After removing the gasket lay it out on a flat surface to retain its shape.
3. Using clamps to hold it securely in place, position the overlay panel against the door.
4. Using the frame as a guide, drill six (6) pilot holes  $1/8"$  (3mm) in dia. nto the finish panel taking care not to drill through the panel.
5. Using the ST4-30 self-tapping screws provided, fasten the panel to the door frame.
6. Beginning at one corner, re-install the rubber door gasket into the gasket channel.



Mounting screw holes are located in the gasket channel behind the gasket.



Do Not Over-Tighten

**IMPORTANT NOTE:** The back of the panel must be finished to prevent warping and cracking.



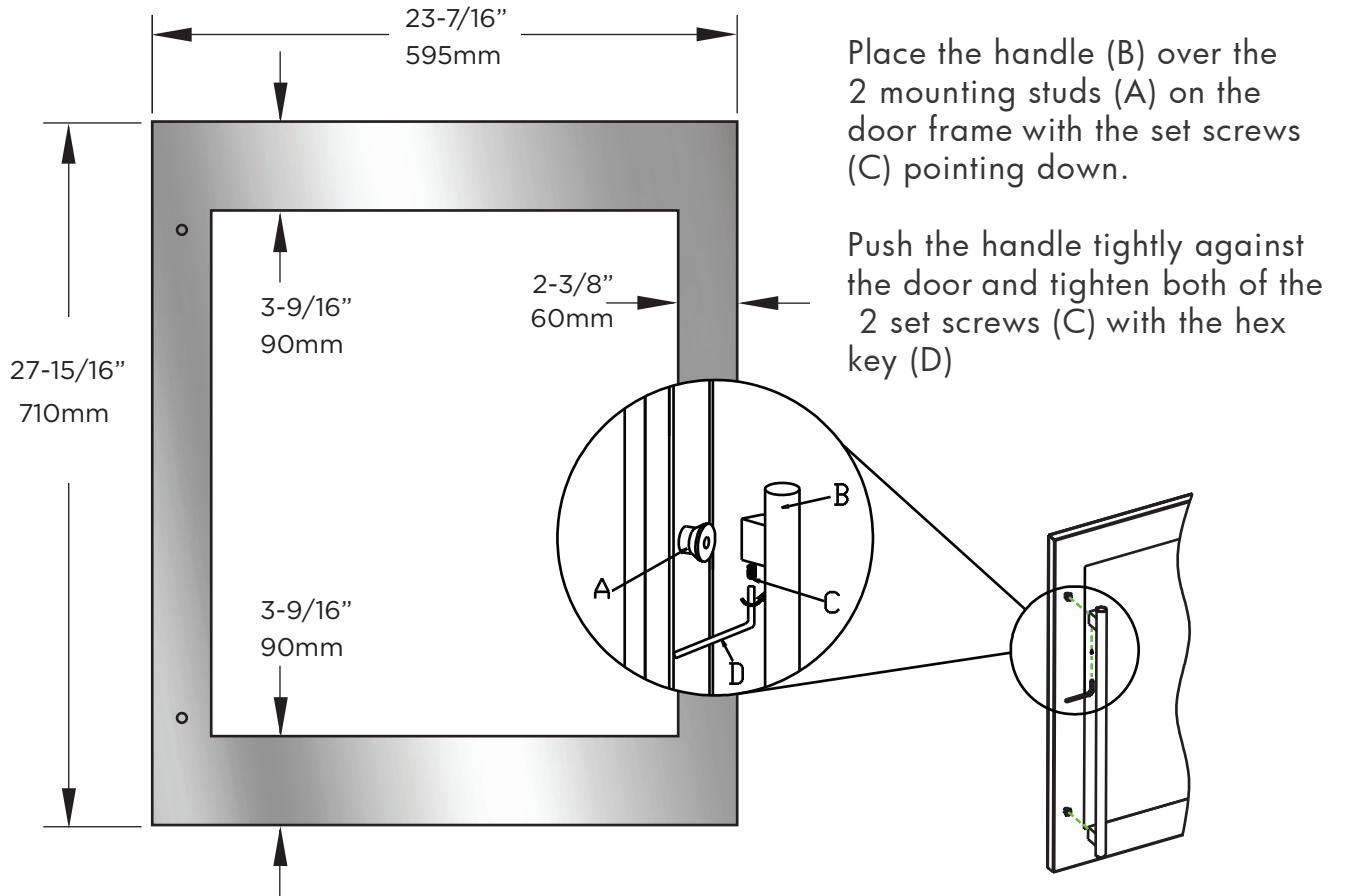
WATCH THE INSTALLATION  
VIDEO ON OUR CHANNEL

<https://youtu.be/EiezTdUrVGI>  
[www.xoappliance.com](http://www.xoappliance.com)

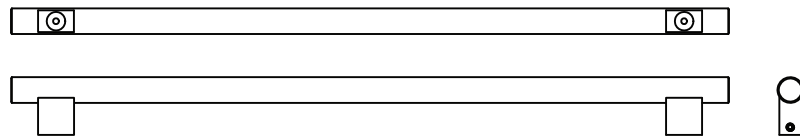
# LET'S FACE IT

OPTIONAL STAINLESS STEEL DOOR PANEL KIT P/N: **XOU24AD4SG**

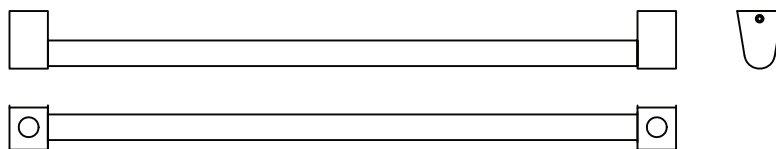
The stainless door panel mounts in the same fashion as a wooden cabinet door.



The Stainless Steel door panel comes with both the designer stainless bar handle -



and our PRO Style Handle - you get to choose which style to install

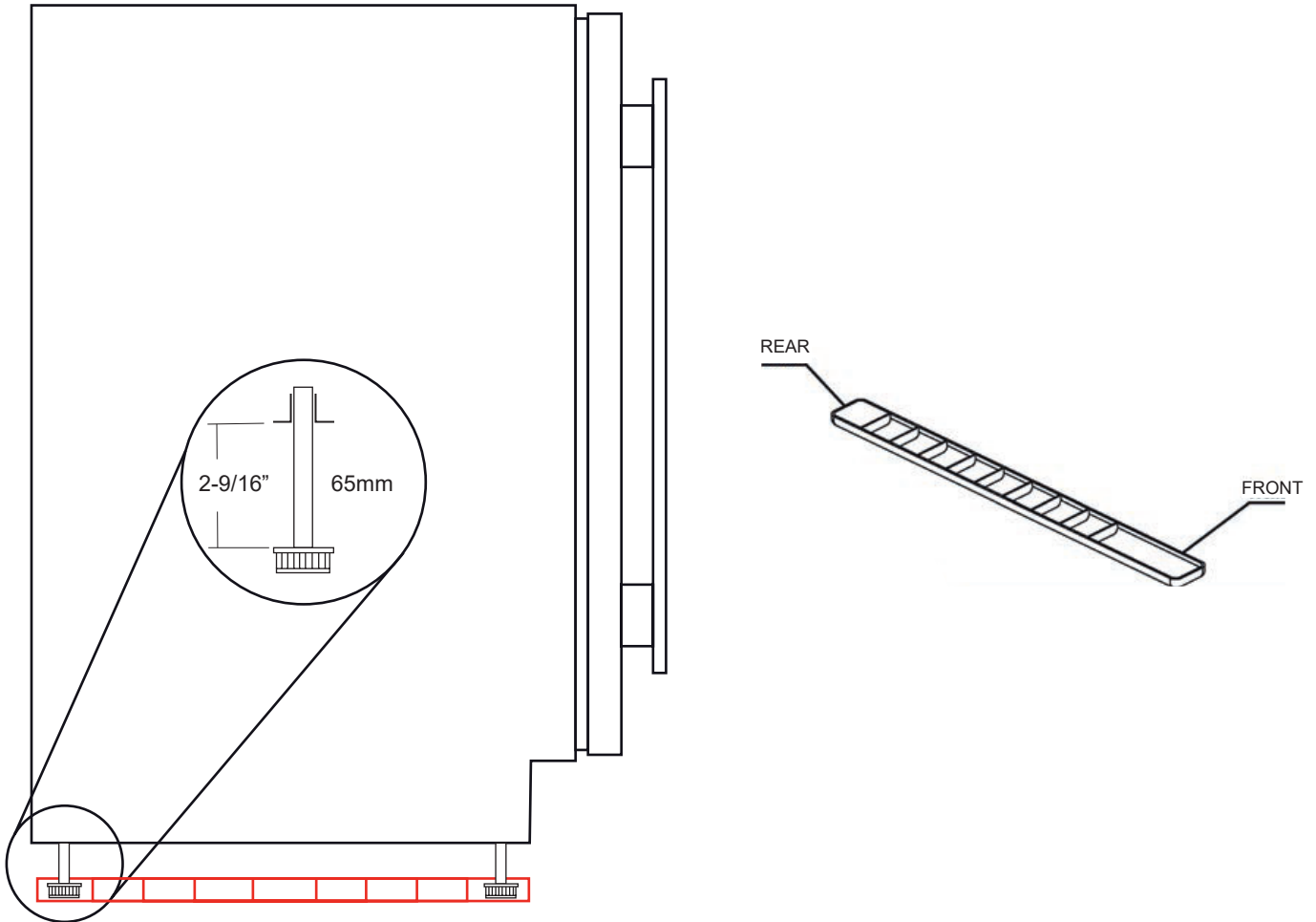


Keep the hex key in a safe place for future use.  
Two extra set screws are included in the hardware bag.



# FOOT SLIDERS

## USING THE FOOT SLIDERS



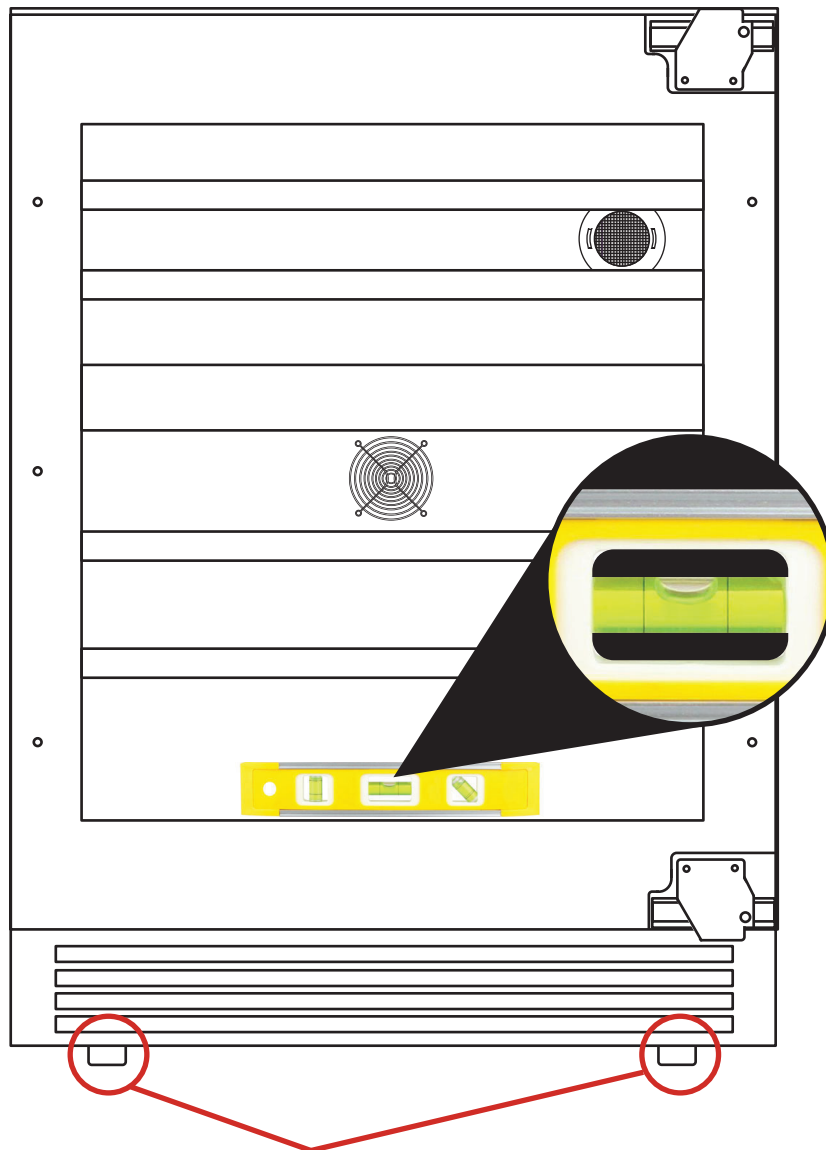
To compensate for different height cabinetry, your XO has leveling legs that can extend as much as 2-9/16" (65mm).

When installing your XO with the leveling legs extended, use the FOOT SLIDERS provided under the feet on each side to help avoid catching and damaging the legs.

# IT'S LIKE ZEN - BUT COOLER

## GET YOUR LEVEL OUT

**DO NOT NEGLECT THIS IMPORTANT STEP**

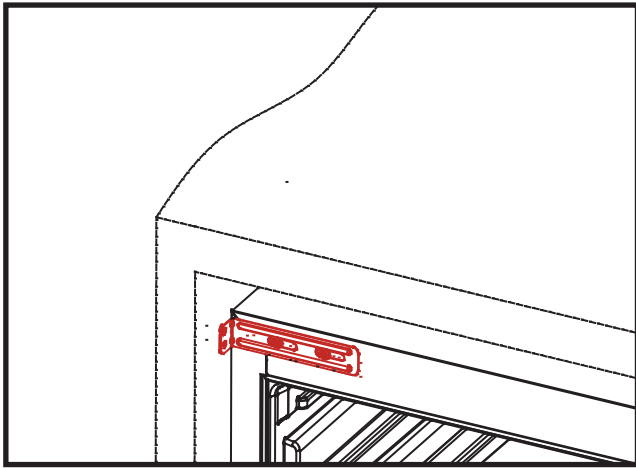


Rotate to raise or lower the **LEVELING LEGS** located at each of the four corners until all four legs are seated firmly on the floor and the interior floor of the unit is level **both front to back and side to side**.

Failure to follow this important step may cause problems with proper door operation, excessive condensation, vibration and noise.

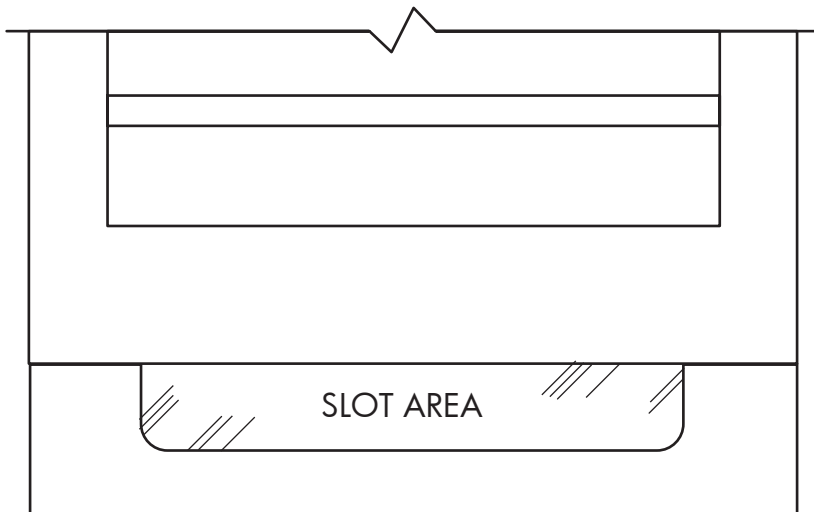
# FINISHING TOUCHES

## TIE IN BRACKET



With the door open, using the screws provided connect the tie in bracket in the upper corner of the wine cooler opposite the hinge - then screw the flange of the bracket to the cabinet.

## TOE KICK | PLINTH



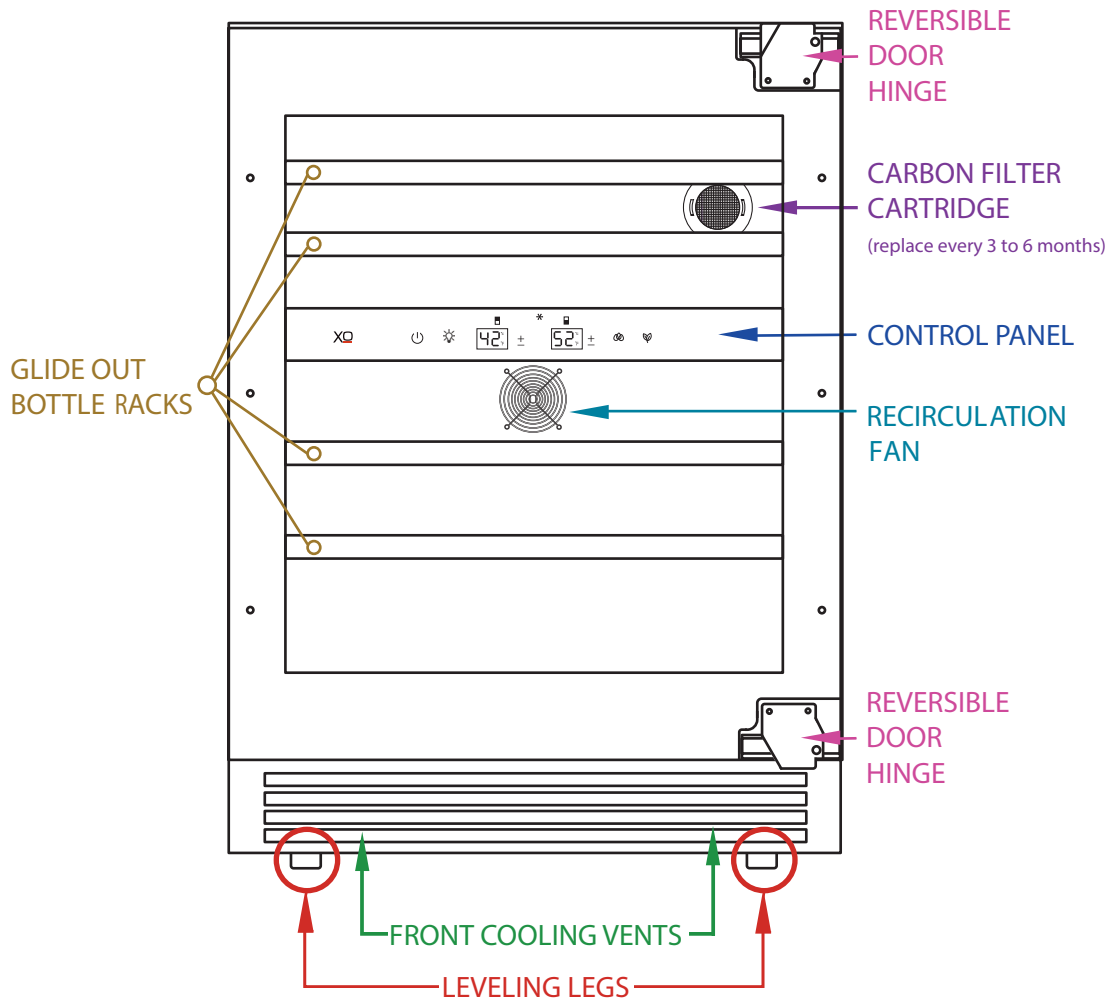
Your XO comes with a 4" (100mm) toe kick | plinth.

It can accommodate up to a 6" (150mm) toe kick | plinth.

If you are not using the vented toe kick that comes with the unit you must make provision for ventilation by cutting a slot 2-3/16" H x 19-5/16" W (55mm H x 490mm W)

# MEET YOUR XO

## WINE COOLER XOU24WDZGOA



### WHAT'S THAT NOISE...

Your new XO is designed for quiet operation but you may hear some sounds your old unit didn't make. Because they are new you might be concerned, but they are usually normal. Sounds can also be amplified by hard surfaces like flooring or tiles. Here is a description of the types of sounds you might hear and what might be causing them.

Your unit is designed to minimize energy use. To do that the high efficiency compressor and fans may run longer than your old unit. You might also hear a pulsating or high pitched sound as the compressor and fans adjust to improve performance. During defrosting cycles you may hear some water running into the drip pan. The refrigerant may sometimes cause a rattling or gurgling sound as it flows through the system and you might hear clicking sounds as the unit starts and stops.

# TAKE CONTROL

## TEMPERATURE

54 °C  
°F

Dual Zone Wine Coolers maintain two different temperature zones from one control panel.

Dual Zone Wine Cooler Temp. Settings  
Adjustable Range: 41°F to 50°F (upper) 50°F to 64°F (lower)

Your Wine Cooler remembers your last temperature settings in the event of a power failure and automatically adjusts to the previous setting(s) when power is restored.

When the +/- button is pressed, your wine cellar automatically enters set up mode. The LED Display will begin flashing and display the temperature setting.

Each time you press the + button, the temperature setting will increase 1 Degree. Each time you press the - button, the temperature setting will decrease 1 Degree.

Once you have reached the desired temperature setting, the display will continue to flash for 5 seconds, then revert to showing the compartment temperature.


To view the real time temperature, press and hold the +/- button for 5 seconds. The interior temperature will flash in the LED Display for 5 seconds.

If you wish to change the display from Fahrenheit to Celsius (or vice versa) press and hold both "+" and "-" simultaneously for 5 seconds.

## LED LIGHTS



L1: When you turn on your wine cellar, the internal light will switch on when the door is opened, and off when the door is closed.

L2: Press  , the internal light will remain on continuously and dim after 3 minutes.



L3: Press  twice, the internal light will remain on for 10 minutes and then shut off.

# TAKE CONTROL

CONTINUED

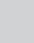
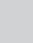
## TRI-COLOR LIGHTING



When you turn your XO wine cooler on, the interior lights will be white. Press the  icon and the lights will change to midnight blue. Press the  icon again and the lights will change to honey amber.

## ECO MODE

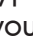





When you turn your XO Unit on, it is set to work in Standard Mode. Press  and ECO Mode is turned on, ECO Mode is an energy saver function. Press  again and ECO Mode is turned off, the unit returns to Standard Mode.



## SABBATH MODE



Sabbath Mode was designed for use on the Jewish Sabbath and Holidays. The Sabbath Mode feature makes it possible to use your appliance during the duration of the holiday. The Sabbath Mode overrides typical reactions caused by interactions with the unit. While in Sabbath Mode your appliance will operate, however it will not respond to your actions.

To initiate Sabbath Mode: Press and hold both  +  for 5 seconds. The display will show either "Sb" or "Sb On" depending on the model you have to indicate Sabbath Mode is engaged. To turn Sabbath Mode off and return to Standard Mode, Press and hold both  +  for 5 seconds again.

## DEMO MODE

Press  for 5 seconds, DEMO mode is turned on. Press  for 5 seconds again, DEMO mode is turned off and your XO returns to standard mode.

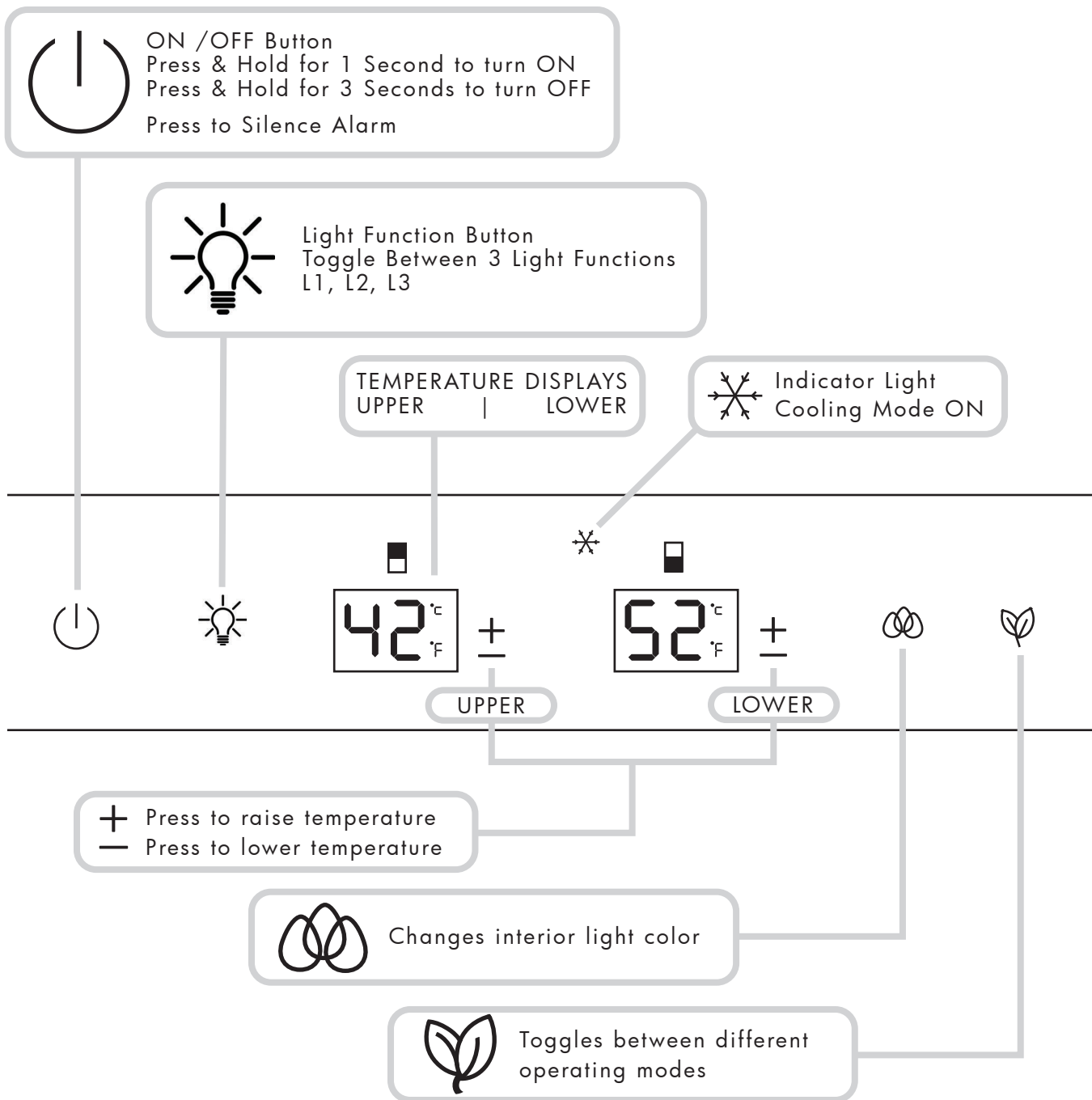
Your controls are simple and intuitive to operate.

I love saving Energy!

XO

# DUAL ZONE CONTROL

## 2 ZONE WINE COOLERS



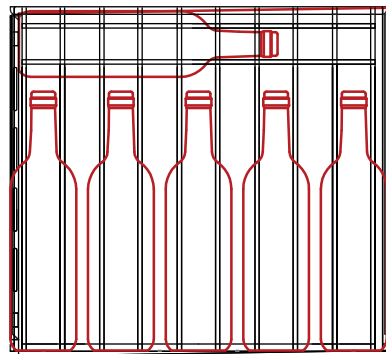
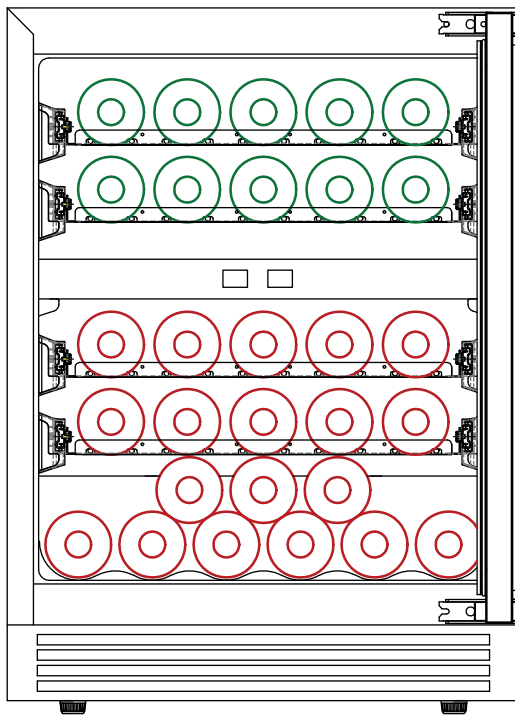
Upper compartment: The temperature setting can be adjusted from 41-50°F.  
 Lower compartment: The temperature setting can be adjusted from 50-64°F.  
 Your controls are simple and intuitive to operate.

# HOW MANY WINE BOTTLES CAN THIS HOLD

Wine bottles come in many shapes and sizes. The following MAXIMUM capacities are based on two of the most popular types in 750 ml.

MODEL	WIDTH	ZONES	BORDEAUX	BURGUNDY
XOU24WDZGO	24"	2	4 Racks of 6 9 in Bottom	4 Racks of 5 6 in Bottom
			33 TOTAL	26 TOTAL

## Shelf capacities



24" Wide Wine Cellar Racks accommodate up to 6 Bordeaux Bottles or up to 5 Burgundy Bottles

**Store wine in sealed bottles only**  
**Avoid overloading**  
**Storing little or no product can cause excessive condensation**



# A LITTLE TLC GOES A LONG WAY

## **Cleaning the Inside:**

Walls, floor, inside window, and shelves - Some water deposits and dust can be removed with a dry paper towel, others may require a damp cloth.

## **Cleaning the Outside:**

Outer case - It is important to keep the area clean where the door seals against the cabinet. Clean this area with a soapy cloth. Rinse with a damp cloth and let dry.

Control Panel and Door - Wipe with a damp cloth and dry thoroughly. Do not use cleaning sprays, large amounts of soap and water, abrasive, or sharp objects on the panel, they can damage it.

CAUTION: Some paper towels may also scratch the control panel and glass on the door.

Door Surface - Use only mild, non-abrasive detergents applied with a clean sponge or soft cloth. Rinse well with damp cloth.

NOTE: Do not use cleaners containing ammonia or alcohol on your XO unit. Ammonia or alcohol can damage the appearance of the appliance.

NOTE: Never use any commercial/abrasive cleaners or sharp objects on any part of the wine cooler.

## **POWER FAILURE**

Most power failures are corrected within a few hours and should not affect the temperature of your appliance if you minimize the number of times the door is opened.

If the power is off for a longer period of time, you need to take the proper steps to protect your contents.

## **VACATION**

Short vacations: Leave the XO unit operating during vacations of less than three (3) weeks.

Long vacations: If the appliance will not be used for an extended period, remove all items and turn off the appliance.

Clean and dry the interior thoroughly. To prevent odor and mold growth, leave the door open slightly, blocking it open if necessary.

## **ENERGY SAVING TIP**

The unit should be located in the coolest area of the room, away from heat producing appliances, and out of direct sunlight.

## **MOVING**

Remove all items and securely tape down all loose items (shelves) inside your appliance

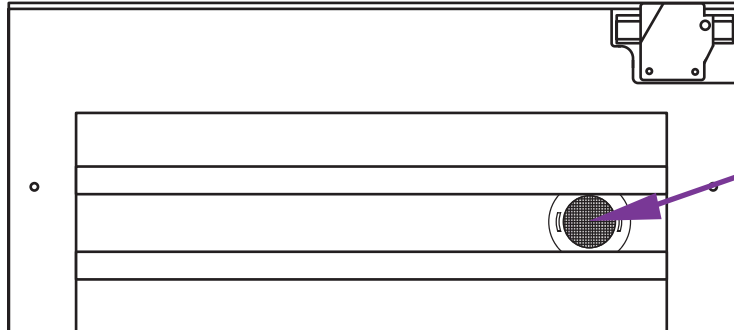
Turn the adjustable leveling legs all the way into the base to avoid damage

Tape the door shut and transport the XO unit securely in the upright position

Blanket wrap the exterior to help protect against scratches and other damage

# A BREATHE OF FRESH AIR

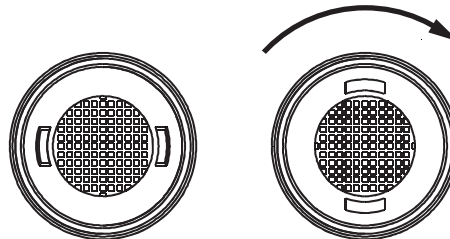
FOR BEST RESULTS CHANGE EVERY 3 TO 6 MONTHS



Your Air Refresh  
Charcoal Filter  
Is Located Here

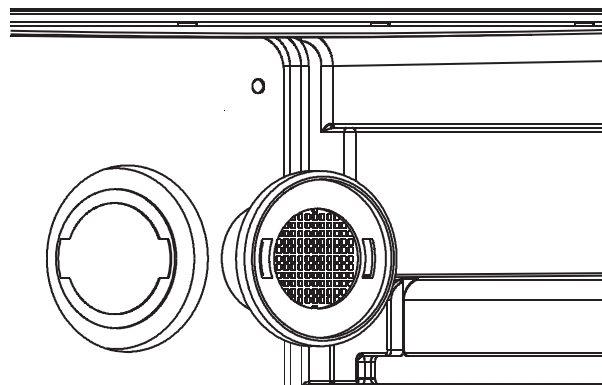
P/N: XOUAIRFILTER

Rotate the filter 1/4 turn  
to unlock

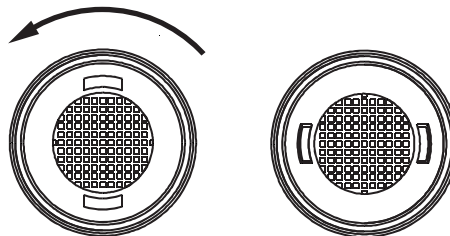


Pull straight out to remove

Align the tabs and  
insert the new filter



Rotate filter 1/4 turn  
to lock in place



# FAQ'S

**Q. There doesn't appear to be any power to the unit.**

A. There are 3 easy to check common causes:

- (1) Check to see if a fuse has blown or circuit breaker has tripped & replace or reset.
- (2) Check to ensure the plug is fully inserted into the outlet.
- (3) A power surge may have caused the unit to shut down to protect itself - Unplug the unit, wait 5 seconds and plug it back in.

**Q. The cabinet temperature is too high.**

A. Check these 5 things:

- (1) Check the temperature setting and adjust as needed.
- (2) Make certain the door is completely closed and the door gasket is sealing properly.
- (3) Avoid opening the door frequently and/or leaving the door open for extended periods.
- (4) Did you load a large quantity of warm bottles at once? It is better to add smaller quantities in several loads.
- (5) Make certain nothing is blocking the toe kick vents (including dust behind the vents).

**Q. The alarm is beeping and "HI" is displayed on the control panel.**

A. See the question and answers above - if the door has been tightly closed and you have not recently added a large quantity of warm bottles, it may be a mechanical issue. Unplug the unit and call for service.

**Q. The alarm is beeping and "LO" is displayed on the control panel.**

A. This may be a sensor malfunction. Unplug the unit and call for service.

## MORE "Q & A"

**Q. Why does condensation form on the inside or outside of my XO unit?**

A. It may be that the door is either opened repeatedly or not closed completely. It may also be due to an excessive ambient humidity, in which case it will clear when the humidity drops.

**Q. There is warm air coming from the bottom of my unit.**

A. This is normal. Cooling systems must vent the heat they remove from inside the cabinet.

**Q. Why does the evaporator fan run all the time?**

A. It continually recirculates air to ensure cabinet temperatures are consistent.

**Q. How do I adjust temperature?**

A. Refer to Pages 7 & 10.

**Q. When does the high temperature alarm sound?**

A. If internal temperature exceeds 70°F for more than 60 minutes.

**Q. If the door hinge is next to a wall, how much clearance do I need to open the door?**

A. The unit should be at least 2" from the wall to allow the door to open at least 90°.

# WE'VE GOT YOUR BACK

**90 DAY LOVE IT or LEAVE IT.** For 90 Days all our products are backed by our unique Love it or Leave it Guarantee.

**TWO-YEAR PARTS & LABOR LIMITED WARRANTY.** XO warrants to the original purchaser of every new XO refrigerated unit, the cabinet and all parts thereof, to be free from defects in material or workmanship under normal and proper use and maintenance as specified by XO and upon proper installation and start-up in accordance with the instruction packet supplied with each XO unit. XO's obligation under this warranty is limited to a period of two (2) years from the date of original purchase.

**FIVE-YEAR COMPRESSOR LIMITED WARRANTY.** XO warrants its compressor to be free from defects in both material and workmanship under normal and proper use and maintenance service for a period of five (5) years from the date of original purchase. If the compressor fails during that time period due to a defect in material or workmanship, XO will supply a replacement compressor free of charge. The consumer will be responsible for all related transportation and labor costs. Product must be registered with XO to qualify for this warranty.

**TERMS APPLICABLE TO EACH WARRANTY.** Any part covered under the above warranties that is determined by XO to have been defective within the time frame is limited to the repair or replacement, including labor charges, of defective parts or assemblies. The labor warranty shall include standard straight time labor charges only and reasonable travel time, as determined by XO.

**WARRANTY CLAIMS.** All claims for labor or parts must be made directly through XO. All claims should include: model number and serial number of cabinet, proof of purchase, and date of installation. In case of warranted compressor, the compressor model tag must be returned to XO along with the above listed information.

**WHAT IS NOT COVERED BY THIS WARRANTY.** XO's sole obligation under this warranty is limited to either repair or replacement of parts, subject to the additional limitations below. This warranty neither assumes nor authorizes any person to assume obligations other than those expressly covered by this warranty. Open box, factory seconds, scratch and dent, floor models and commercial applications are excluded from these warranties. Consumer shall be responsible for labor and transportation costs where noted above.

**NO CONSEQUENTIAL DAMAGES.** XO is not responsible for economic loss, profit loss; or special, indirect or consequential damages, including without limitation, losses or damages arising from food or product spoilage claims whether or not on account or refrigeration failure.

**WARRANTY IS NOT TRANSFERABLE.** This warranty is not assignable and applies only in favor of the original purchaser/user at the original installation location. Any such assignment or transfer shall void the warranties herein made and shall void all warranties, express or implied, including any warranty or merchantability or fitness for a particular purpose.

**IMPROPER USAGE.** XO assumes no liability for parts or labor coverage for component failure or other damages resulting from improper usage or installation or failure to clean and/or maintain product as set forth in the warranty packet provided with the unit.

**ALTERATION OR NEGLECT.** XO is not responsible for the repair or replacement of any parts that XO determines have been subjected after the date of manufacture to alteration, neglect, abuse, misuse, accident, damage during transit or installation, fire, flood, or act of God.

**IMPROPER ELECTRICAL CONNECTIONS.** XO is not responsible for the repair or replacement of failed or damaged components resulting from electrical power failure, high or low voltage, use of extension cords, or improper grounding of the unit.

**YOUR RIGHTS UNDER STATE LAW.** This warranty gives you specific legal rights and you may have other rights that vary from state to state. Some states do not allow the exclusion or limitation of consequential damages or a limitation on how long an implied warranty lasts, so the above exclusion or limitation may not apply to you.

**OUTSIDE U.S.** This warranty does not apply to, and XO is not responsible for, any warranty claims made on products sold or used outside the 48 continental United States.

## To obtain service:

Call 973-403-8900 | email [service@xoappliance.com](mailto:service@xoappliance.com) | or submit a request on our website  
[www.xoappliance.com](http://www.xoappliance.com)

