

27" Built-In Microwave Oven

500 Series – Stainless Steel HMB57152UC



BOSCH
Invented for life



HMB57152UC
Stainless Steel

Built-in microwave design matched for use in combination with Bosch wall oven.

Features & Benefits

Large cooking interior gives you more flexibility in what types of dishes you can cook.

Built for speed and convenience with 950 watts of microwave cooking power.

Convenient automatic sensor programs simplify cooking for great results every time.

General Properties

Cavity color	Stainless Steel
Max. microwave power	950 W

Capacity

Cavity capacity	1.6 cu. ft.
Turntable diameter	14 1/8"

Technical Details

Watts	1,650 W
Circuit breaker	15 A
Volts	120 V
Frequency	60 Hz
Power cord length	43"
Plug type	NEMA 5-15 – 3 prong plug



Dimensions & Weight

Overall appliance dimensions (HxWxD)	19 5/8" x 26 3/4" x 19 5/8"
Required cutout size – Standard (HxWxD)	19 1/4" x 25 1/2" x 19 1/4"
Required cutout size – Flush (HxWxD)	20 1/4" x 27" x 20 3/4"
Oven overall interior dimensions (HxWxD)	9 7/8" x 16 1/2" x 16 1/2"
Net weight	83 lbs

Accessories—Included

Included	Glass turntable
----------	-----------------

Accessories: To purchase Bosch accessories, cleaners & parts please visit www.bosch-home.com/us/store or call 1-800-944-2904 (Mon to Fri 5 am to 6 pm PST, Sat 6 am to 3 pm PST).

Notes: All height, width and depth dimensions are shown in inches. BSH reserves the absolute and unrestricted right to change product materials and specifications, at any time, without notice. Consult the product's installation instructions for final dimensional data and other details prior to making cutout.

Warranties: Please see Use & Care manual or Bosch website for statement of limited warranty.

For more information on our entire line of products, go to www.bosch-home.com/us or call 1-800-944-2904

© BSH Home Appliances Corporation. All rights reserved. Bosch is a registered trademark of Robert Bosch GmbH.

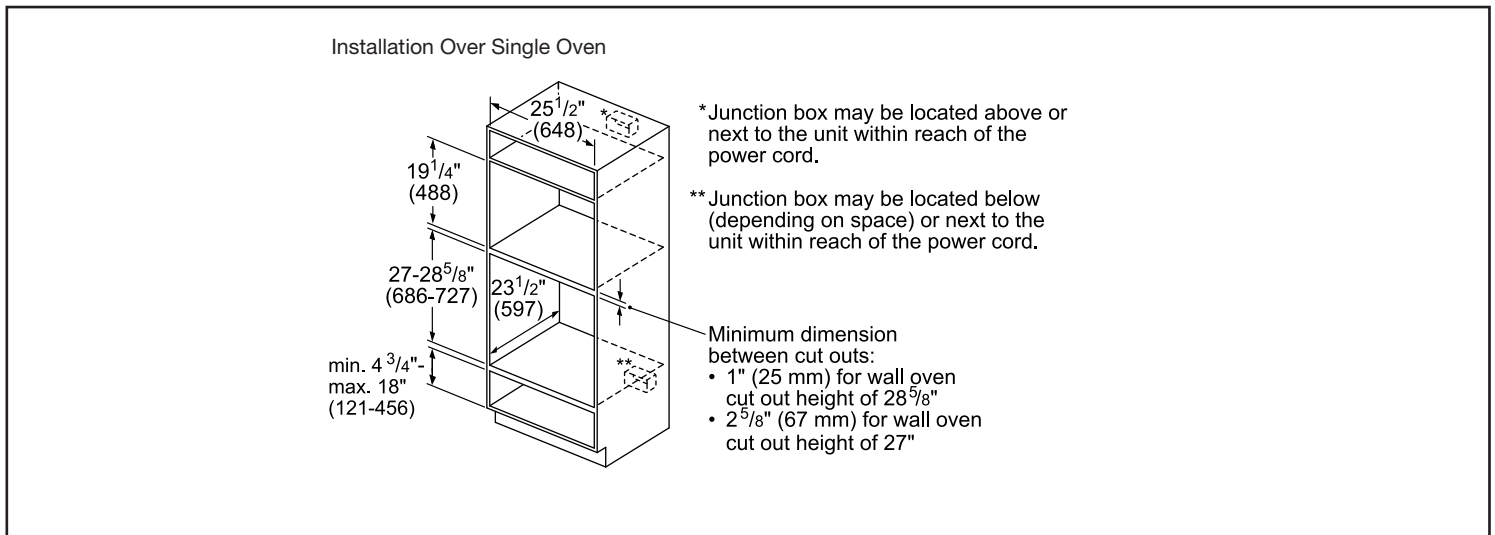
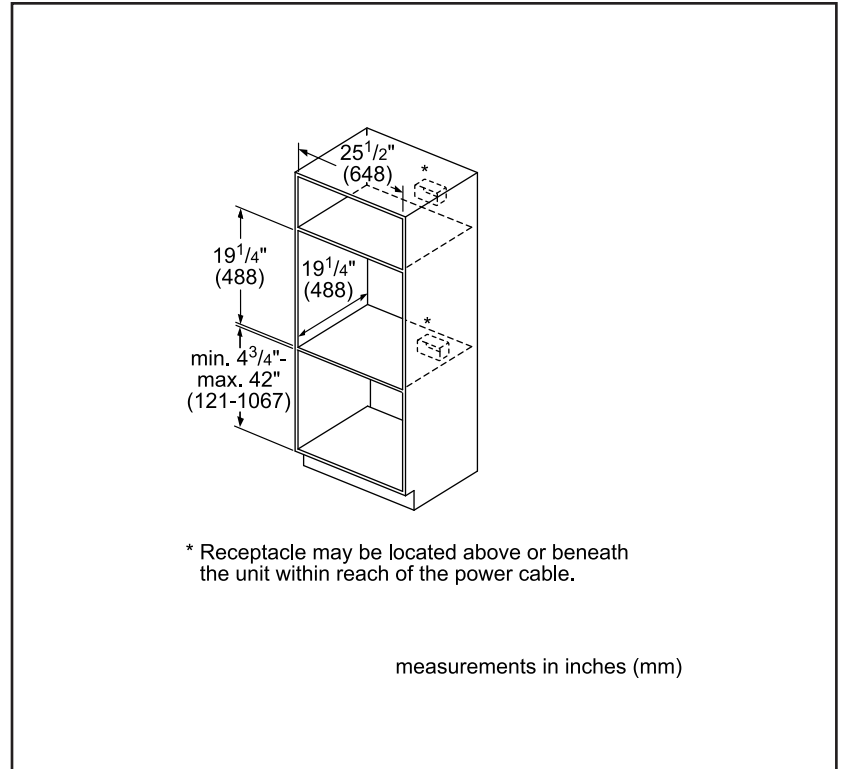
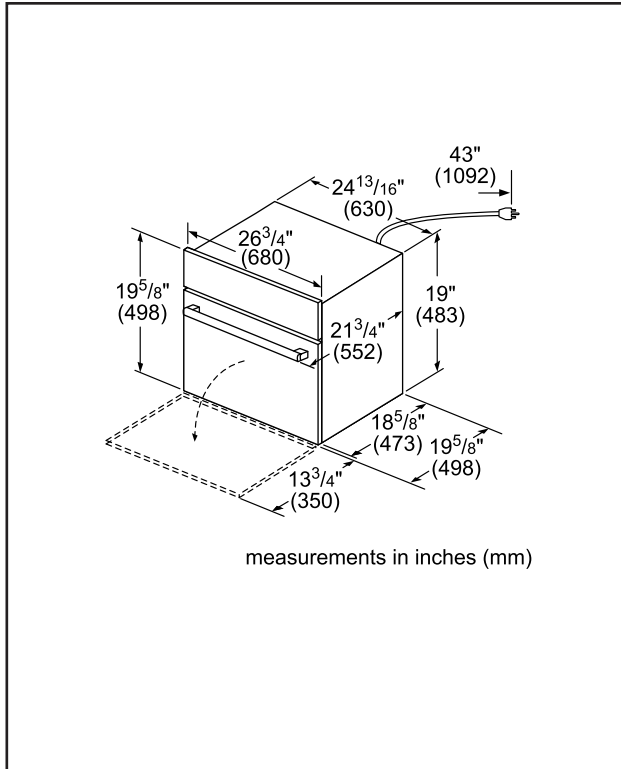
27" Built-In Microwave Oven

500 Series – Stainless Steel HMB57152UC



BOSCH
Invented for life

Installation Details



Accessories: To purchase Bosch accessories, cleaners & parts please visit www.bosch-home.com/us/store or call 1-800-944-2904 (Mon to Fri 5 am to 6 pm PST, Sat 6 am to 3 pm PST).

Notes: All height, width and depth dimensions are shown in inches. BSH reserves the absolute and unrestricted right to change product materials and specifications, at any time, without notice. Consult the product's installation instructions for final dimensional data and other details prior to making cutout.

Warranties: Please see Use & Care manual or Bosch website for statement of limited warranty.

For more information on our entire line of products, go to www.bosch-home.com/us or call 1-800-944-2904

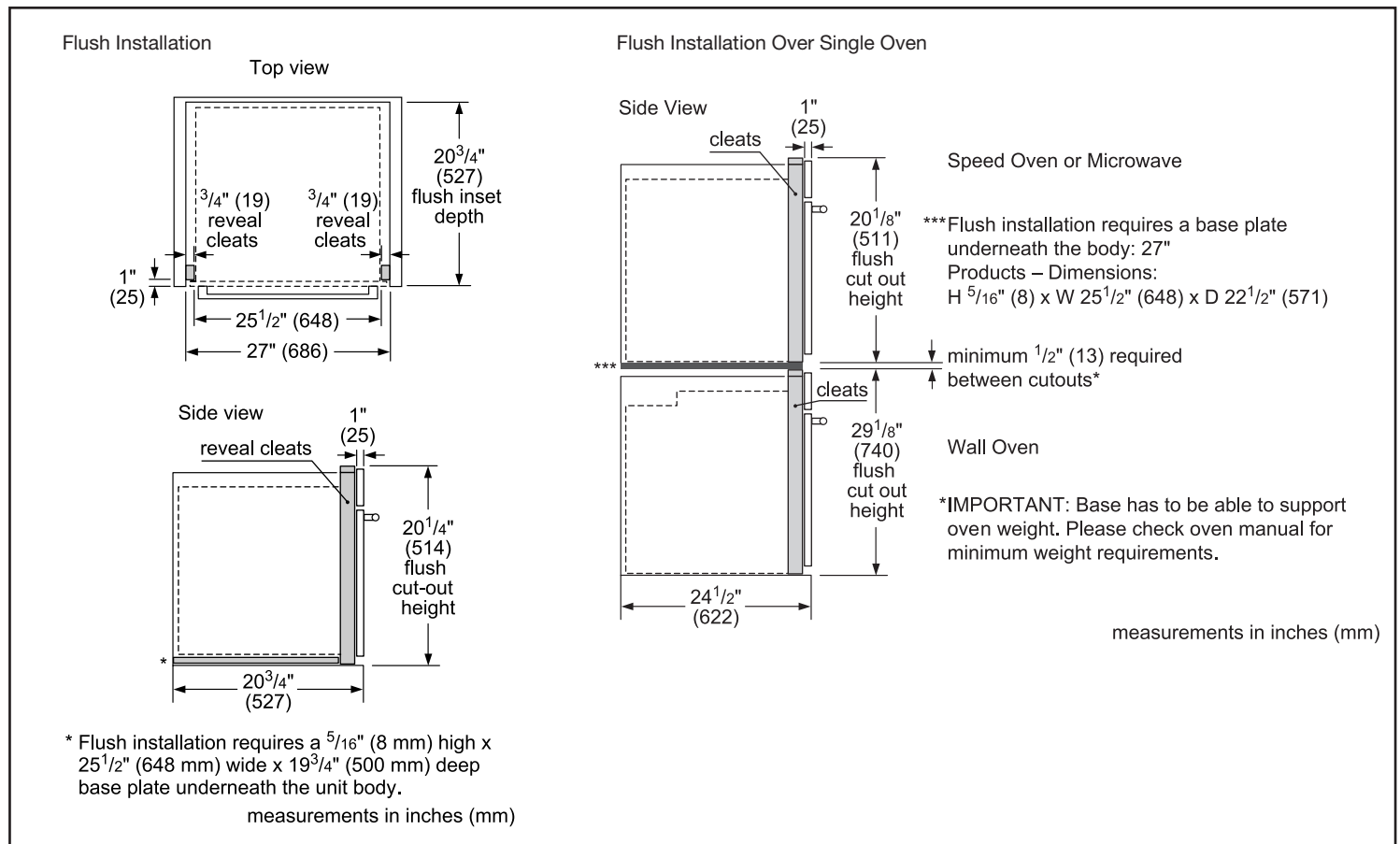
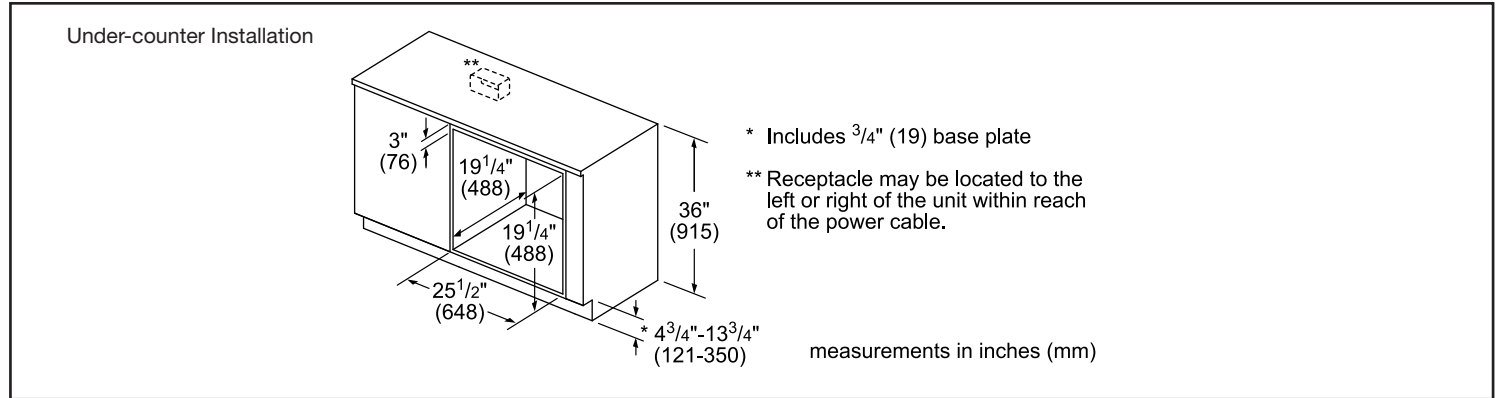
© BSH Home Appliances Corporation. All rights reserved. Bosch is a registered trademark of Robert Bosch GmbH.

27" Built-In Microwave Oven

500 Series – Stainless Steel HMB57152UC



Installation Details



Accessories: To purchase Bosch accessories, cleaners & parts please visit www.bosch-home.com/us/store or call 1-800-944-2904 (Mon to Fri 5 am to 6 pm PST, Sat 6 am to 3 pm PST).

Notes: All height, width and depth dimensions are shown in inches. BSH reserves the absolute and unrestricted right to change product materials and specifications, at any time, without notice. Consult the product's installation instructions for final dimensional data and other details prior to making cutout.

Warranties: Please see Use & Care manual or Bosch website for statement of limited warranty.

For more information on our entire line of products, go to www.bosch-home.com/us or call 1-800-944-2904

© BSH Home Appliances Corporation. All rights reserved. Bosch is a registered trademark of Robert Bosch GmbH.