

30" Gas Slide-in Rangetop

800 Series – Stainless Steel RGM8058UC



BOSCH
Invented for life



RGM8058UC
Stainless Steel

The four burner 30" stainless steel slide-in gas rangetop provides the look and features of a commercial-style appliance.

Features & Benefits

Four powerful gas burners allows you to cook multiple dishes with full range BTU performance.

Dual flame power burner delivers two heat options, from full power heat-up to delicately low simmer.

Heavy-duty continuous surface grates can be easily cleaned in the dishwasher.

OptiSim® burner – offers more flame control at the lowest settings for precise simmering.

Stainless steel exterior front and large metal control knobs offers a bold distinct look.

General Properties

No. of burners	4
Knob material	Metal
Control location	Up front
Sealed burners	Yes
Ignition system	Electric; flame failure device
Cooktop surface material	Porcelain coated steel
Grate material	Cast iron
Grate features	Continuous grates; dishwasher safe

Burner Performance

Total BTU load (NG / LP)	47,000 / 47,000
Power of front left burner (NG / LP)	12,000 / 12,000 BTU
Power of back left burner (NG / LP)	12,000 / 12,000 BTU
Power of front center burner (NG / LP)	N/A
Power of back center burner (NG / LP)	N/A
Power of back right burner (NG / LP) Opti-Sim®	5,000 / 5,000 BTU
Power of front right burner (NG / LP) Dual-flame	18,000 / 18,000 BTU



Technical Details

Circuit breaker	15 A
Volts	120 V
Frequency	60 Hz
Plug type	3-prong
Power cord length	60"
Fuel type	Natural Gas (factory set)
Convertible to LP (kit required)	Yes

Dimensions & Weight

Overall appliance dimensions (HxWxD)	7 1/2" x 29 15/16" x 26 5/8"
Required cutout size (HxWxD)	7 3/8" x 30" x 24"
Minimum distance from side wall	20"*
Net weight	75 lbs

Accessories – Included

Included	LP conversion kit, OptiSim® cap
----------	---------------------------------

Accessories – Optional



HEZ9GR41UC
Griddle



HEZ9GW23UC
Wok ring



HEZ7YZ30UC
9" backguard for 30" Rangetop (stainless steel)

† To be fully ADA compliant, these units must be installed according to ADA guidelines. Please check current ADA requirements for guidance on installation.

* If one side has a minimum distance of 28" (711 mm) to the wall, the other distance can be minimum 12" (305 mm) to the wall.

Accessories: To purchase Bosch accessories, cleaners & parts please visit www.bosch-home.com/us/store or call 1-800-944-2904 (Mon to Fri 5 am to 6 pm PST, Sat 6 am to 3 pm PST).

Notes: All height, width and depth dimensions are shown in inches. BSH reserves the absolute and unrestricted right to change product materials and specifications, at any time, without notice. Consult the product's installation instructions for final dimensional data and other details prior to making cutout.

Warranties: Please see Use & Care manual or Bosch website for statement of limited warranty.

For more information on our entire line of products, go to www.bosch-home.com/us or call 1-800-944-2904

© BSH Home Appliances Corporation. All rights reserved. Bosch is a registered trademark of Robert Bosch GmbH.

30" Gas Slide-in Rangetop

800 Series – Stainless Steel RGM8058UC

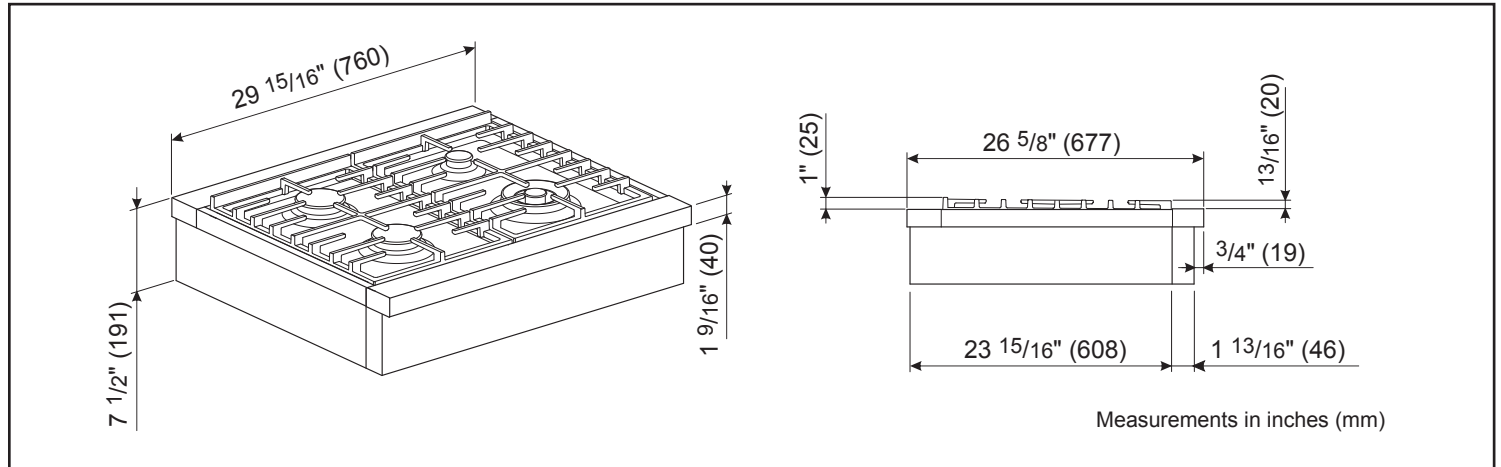


BOSCH

Invented for life



Installation Details



Accessories: To purchase Bosch accessories, cleaners & parts please visit www.bosch-home.com/us/store or call 1-800-944-2904 (Mon to Fri 5 am to 6 pm PST, Sat 6 am to 3 pm PST).

Notes: All height, width and depth dimensions are shown in inches. BSH reserves the absolute and unrestricted right to change product materials and specifications, at any time, without notice. Consult the product's installation instructions for final dimensional data and other details prior to making cutout.

Warranties: Please see Use & Care manual or Bosch website for statement of limited warranty.

For more information on our entire line of products, go to www.bosch-home.com/us or call 1-800-944-2904

© BSH Home Appliances Corporation. All rights reserved. Bosch is a registered trademark of Robert Bosch GmbH.

30" Gas Slide-in Rangetop

800 Series – Stainless Steel RGM8058UC

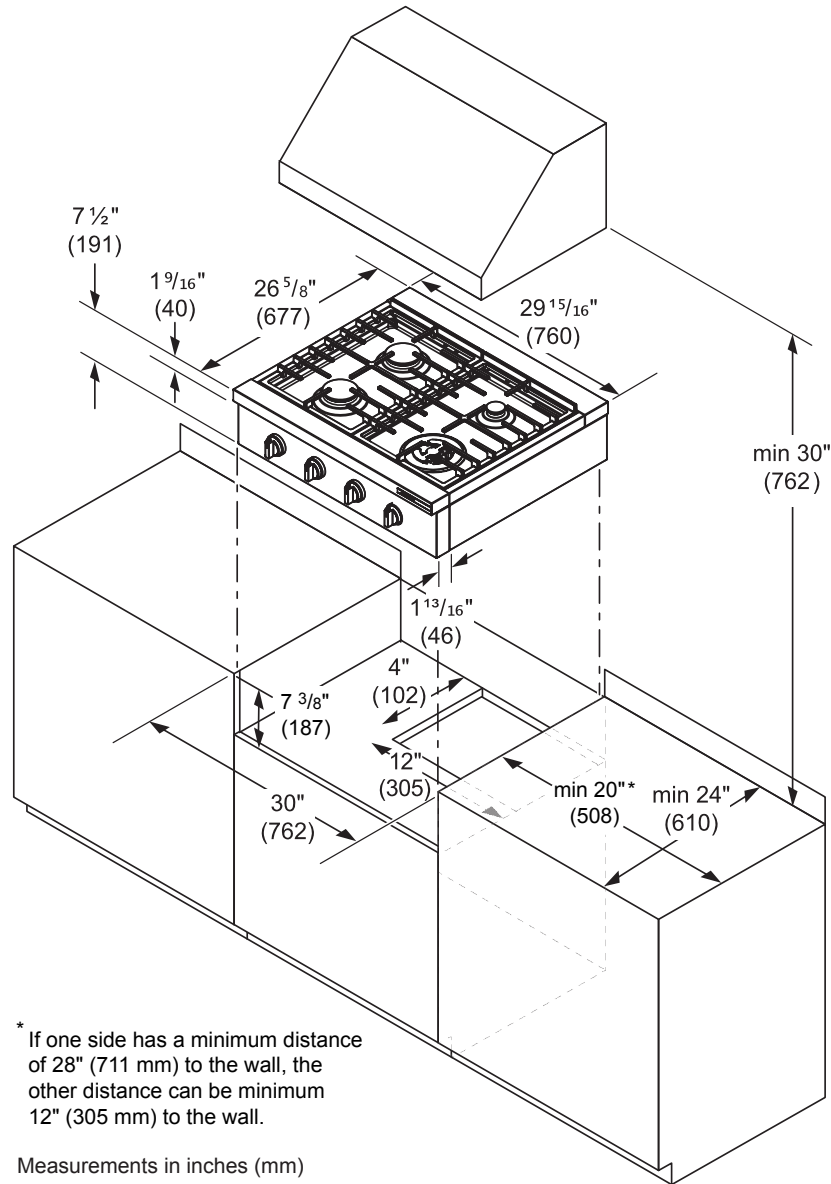


BOSCH

Invented for life



Installation Details



Accessories: To purchase Bosch accessories, cleaners & parts please visit www.bosch-home.com/us/store or call 1-800-944-2904 (Mon to Fri 5 am to 6 pm PST, Sat 6 am to 3 pm PST).

Notes: All height, width and depth dimensions are shown in inches. BSH reserves the absolute and unrestricted right to change product materials and specifications, at any time, without notice. Consult the product's installation instructions for final dimensional data and other details prior to making cutout.

Warranties: Please see Use & Care manual or Bosch website for statement of limited warranty.

For more information on our entire line of products, go to www.bosch-home.com/us or call 1-800-944-2904

© BSH Home Appliances Corporation. All rights reserved. Bosch is a registered trademark of Robert Bosch GmbH.