

30" Speed Combination Oven

Benchmark® Series – Stainless Steel HBLP752UC



BOSCH
Invented for life



HBLP752UC
Stainless Steel

The Bosch speed combination oven allows for faster cooking results and features a QuietClose® door.

Features & Benefits

Cooks Faster than a traditional oven and can be used as a microwave.

Dampened hinges softly and quietly guide the QuietClose® door shut.

The color TFT control panel with SteelTouch® buttons is easy to use.

Convection Multi-Rack combines a third heating element with a back fan for even browning and time savings by using multiple racks at one time.

A full-extension telescopic rack offers safe access to the oven cavity.

The wall oven is designed to be installed flush with cabinetry.

General Properties

Oven modes – upper cavity: Speed oven; TFT display, 12 Auto Programs (including Auto Defrost, Melt Butter, Soften Ice Cream, Pizza), 9 Sensor Cook Programs, 9 SpeedChef® Programs, Hi & Lo Broil, Convection Multi-Rack, Keep Warm, Frozen Foods

Oven modes – lower cavity: Bake, Variable Broil (hi & low), Roast, Warm, Sabbath, Proof Dough, Convection Bake, Convection Broil, Convection Roast, Pizza, Convection Multi-Rack, Convection Conversion, AutoProbe, Fast Preheat, EcoChef, Speed Convection (Frozen Foods)

Cleaning type – lower: Self Clean

Telescopic rack: 1

Illumination type: LED (Upper) / Halogen (Lower)

Interior lights: 1 Upper / 2 Lower

Oven Performance

Microwave power – upper cavity: 1000 W

Bake / broil element – upper cavity: 600 / 1,750 W

Convection element – upper cavity: 1,700 W

Bake / broil element – lower cavity: 2,400 / 3,800 W

Convection element – lower cavity: 1700 W / 2000 W

Technical Details

Watts: 9,600 W

Circuit breaker: 40 A

Volts; Frequency: 240 / 208 V; 60 Hz

Power cord length: 60"

Plug type: Fixed Connection, No Plug

Energy source: Electric



*Wall oven only

Dimensions & Weight

Overall appliance dimensions (HxWxD): 49" x 29 3/4" x 24 1/2"

Required cutout size – Standard (HxWxD): 48 5/8" x 28 1/2" x 23 1/2"

Required cutout size – Flush (HxWxD): 49 1/8" x 30" x 24 1/2"

Oven cavity size – upper: 1.6 cu. ft.

Overall upper oven interior dimensions (HxWxD): 9 7/8" x 16 1/2" x 16 1/2"

Turntable – Metal Max. Cookware – upper: 12 3/4" dia.

Turntable – Ceramic Max. Cookware – upper: 12 1/2" dia.

Rack – Rectangular Cookware Max. – upper: 15" x 12"

Oven cavity size – lower: 4.6 cu. ft.

Overall lower oven interior dimensions (HxWxD): 17 13/16" x 24 1/8" x 18"

Usable lower oven interior dimensions (HxWxD): 12 5/16" x 23 1/4" x 15 1/4"

Net weight: 259 lbs

Accessories—Included

Upper Oven: Metal Turntable, Square rack, Ceramic Cooking Tray
Lower Oven: 1 Telescopic and 2 Standard Oven Racks, Temperature Probe, Broiler Pan

Accessories—Optional



HEZTR301
30" Telescopic Rack



00449757
Broiler Pan



00798845
30" Flat Rack

Accessories: To purchase Bosch accessories, cleaners & parts please visit www.bosch-home.com/us/store or call 1-800-944-2904 (Mon to Fri 5 am to 6 pm PST, Sat 6 am to 3 pm PST).

Notes: All height, width and depth dimensions are shown in inches. BSH reserves the absolute and unrestricted right to change product materials and specifications, at any time, without notice. Consult the product's installation instructions for final dimensional data and other details prior to making cutout.

Warranties: Please see Use & Care manual or Bosch website for statement of limited warranty.

For more information on our entire line of products, go to www.bosch-home.com/us or call 1-800-944-2904

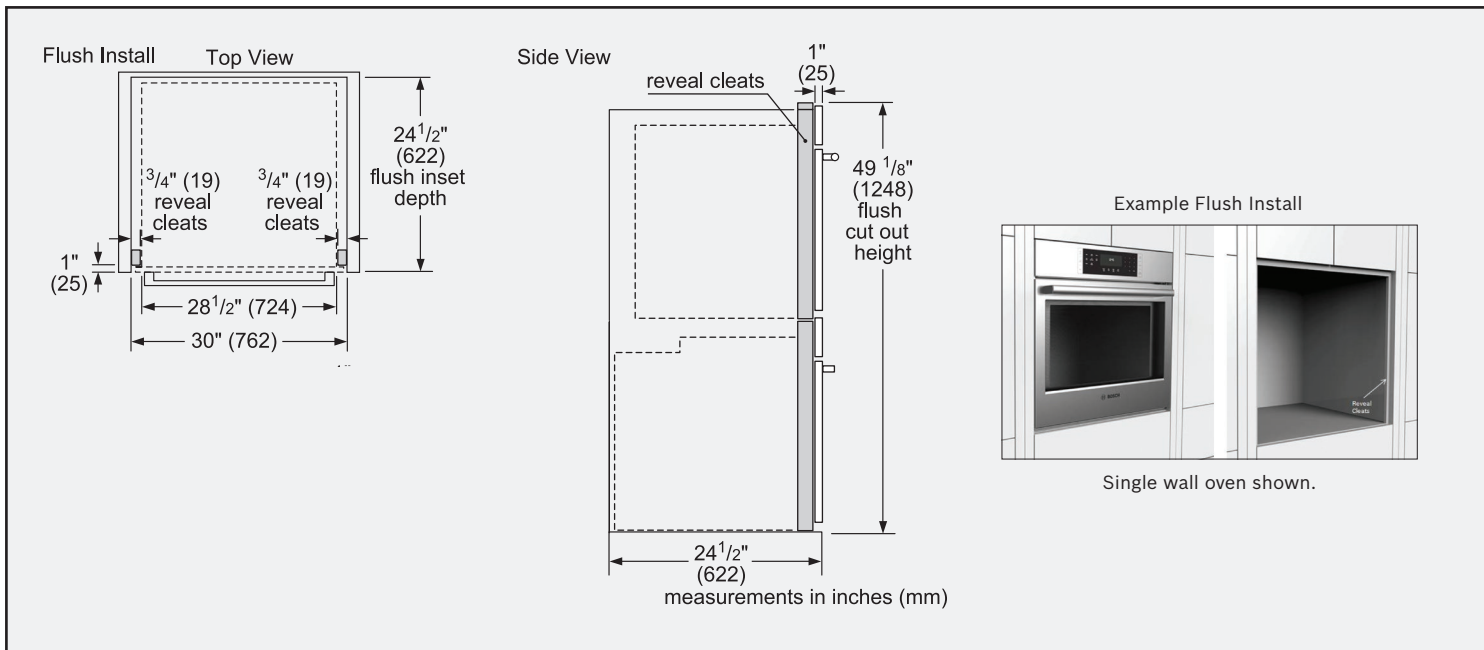
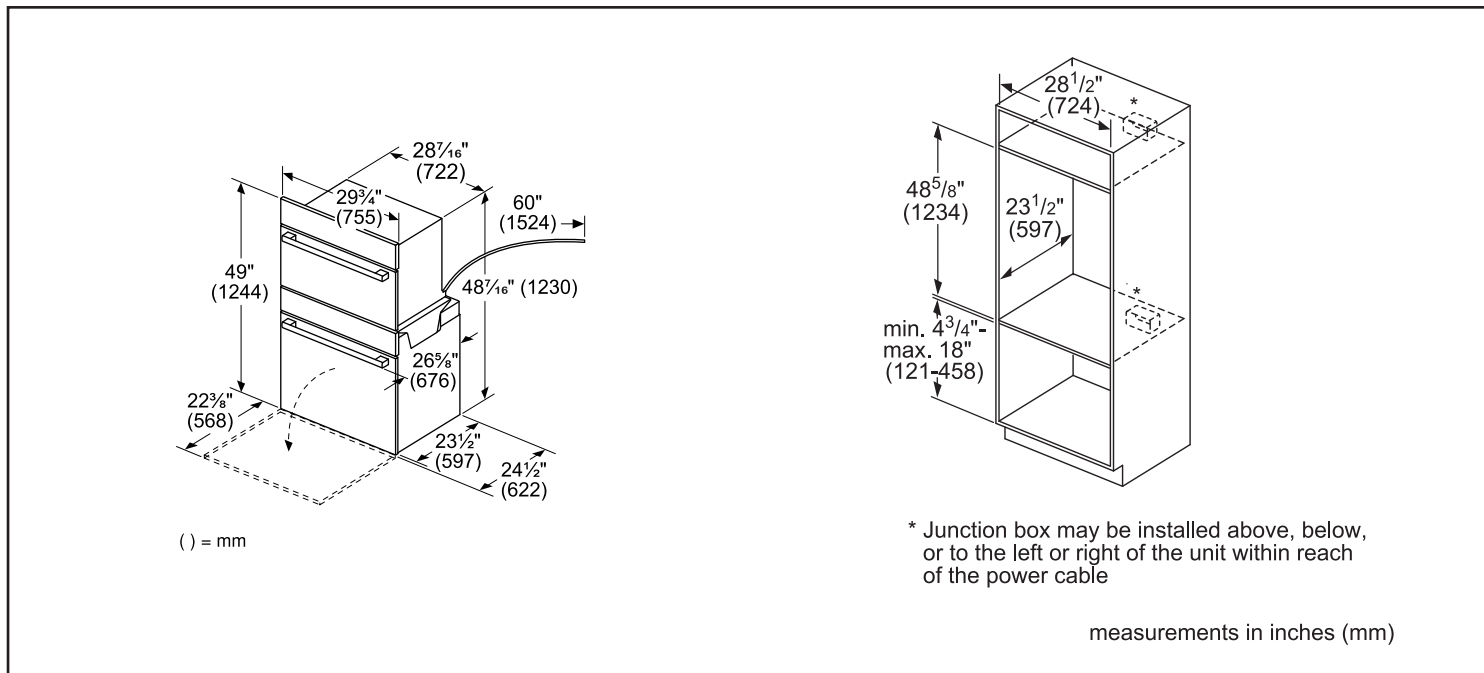
© BSH Home Appliances Corporation. All rights reserved. Bosch is a registered trademark of Robert Bosch GmbH.

30" Speed Combination Oven

Benchmark® Series – Stainless Steel HBLP752UC



Installation Details



Accessories: To purchase Bosch accessories, cleaners & parts please visit www.bosch-home.com/us/store or call 1-800-944-2904 (Mon to Fri 5 am to 6 pm PST, Sat 6 am to 3 pm PST).

Notes: All height, width and depth dimensions are shown in inches. BSH reserves the absolute and unrestricted right to change product materials and specifications, at any time, without notice. Consult the product's installation instructions for final dimensional data and other details prior to making cutout.

Warranties: Please see Use & Care manual or Bosch website for statement of limited warranty.

For more information on our entire line of products, go to www.bosch-home.com/us or call 1-800-944-2904

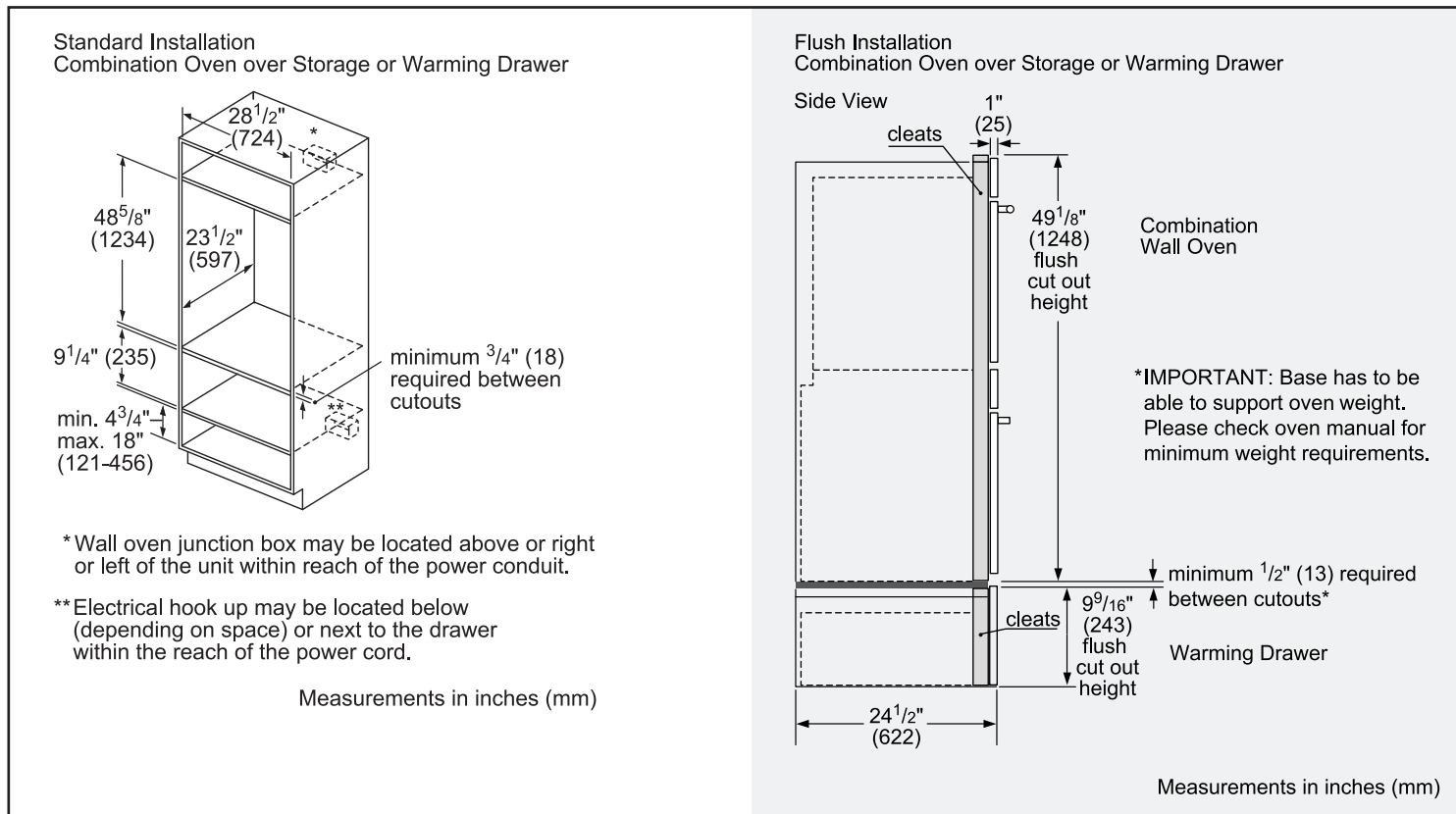
© BSH Home Appliances Corporation. All rights reserved. Bosch is a registered trademark of Robert Bosch GmbH.

30" Speed Combination Oven

Benchmark® Series – Stainless Steel HBLP752UC



Installation Details



Accessories: To purchase Bosch accessories, cleaners & parts please visit www.bosch-home.com/us/store or call 1-800-944-2904 (Mon to Fri 5 am to 6 pm PST, Sat 6 am to 3 pm PST).

Notes: All height, width and depth dimensions are shown in inches. BSH reserves the absolute and unrestricted right to change product materials and specifications, at any time, without notice. Consult the product's installation instructions for final dimensional data and other details prior to making cutout.

Warranties: Please see Use & Care manual or Bosch website for statement of limited warranty.

For more information on our entire line of products, go to www.bosch-home.com/us or call 1-800-944-2904

© BSH Home Appliances Corporation. All rights reserved. Bosch is a registered trademark of Robert Bosch GmbH.