

INCA SMART SS

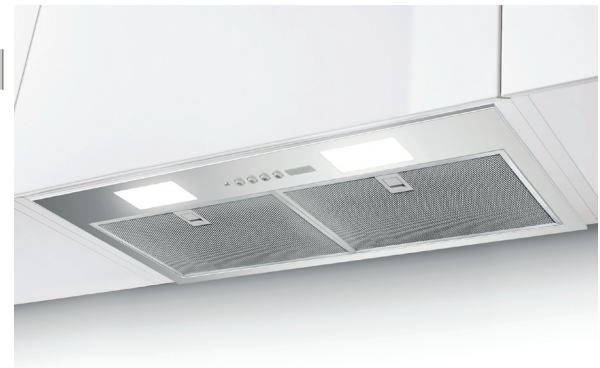
INSERT

STUNNING, SLEEK VENTILATION

The new and improved Inca Smart power pack is perfect for the homeowner who wants a built in range hood that fits into most cabinets and most budgets. This restyled Inca Smart Stainless is now available in 240, 400, 600 CFM with LED lighting.

AVAILABLE MODELS

Model #	FUN #	Size / Color	Motor Class (CFM)
INSP28SS240	305.0598.089	28" Stainless Steel	240 CFM
INSP28SS400	305.0598.086	28" Stainless Steel	400 CFM
INSP28SS600	305.0598.087	28" Stainless Steel	600 CFM

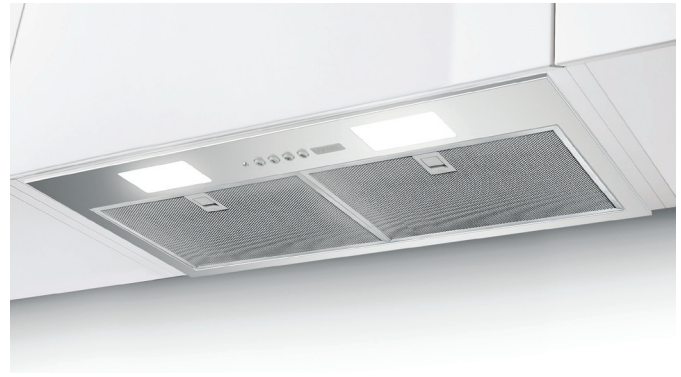


BUILT-IN TO THE CABINETRY, THIS RANGE HOOD GIVES YOU PLENTY OF UNOBSTRUCTED COOKING SPACE. THE INCA SMART HAS BOTH A RANGE HOOD AND A **STUNNING** LIGHT FEATURE TO ILLUMINATE THE AREA BELOW WITH **MODERN** LED LIGHTS.



INCA SMART SS

MODEL	FUN #	SIZE/MATERIAL	MOTOR CLASS
INSP28SS240	305.0598.089	28" Stainless Steel	240 CFM
INSP28SS400	305.0598.086	28" Stainless Steel	400 CFM
INSP28SS600	305.0598.087	28" Stainless Steel	600 CFM

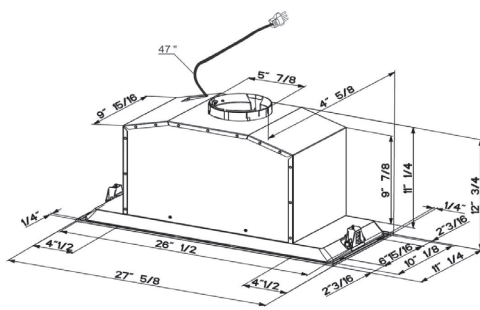


INSERT

FEATURES		PERFORMANCE		ACCESSORIES
Dimensions		Motor		LINE30ST
Cabinet Cut Out	26 5/8" W x 10 1/4" D	No. of Fan Speeds	4	30" SS Liner (16 - 17 7/8" D)
Height Inside Cabinet	7 1/16" -28SS240 12 3/4" -28SS400/600	Motor Class	240/400/600	LINE36ST
Ducting		Energy-Efficient Motor	Yes	36" SS Liner (16 - 17 7/8" D)
Type	Ducted/ Recirculating with FILTER1/FILTER1LL2 (SS400/600) FILTER4 (SS240)	Display		FILTER4
Duct Size	Top 6" Round - SS400/600 Top 5" Round -SS240	Controls	Electronic with LED	Charcoal Filter Kit (240 CFM Only)
Lighting		Intensive Speed	10 Minutes	FILTER1
Type	Energy-Efficient LED	Other		Charcoal Filter Kit (400/600 CFM Only)
# of Bulbs	Two- 4 Watt - 1 level	ADA Compliant	No	FILTER1LL2
Grease Filters		Power Cord Included	Yes	Long Lasting Charcoal Filter Kit (400/600 CFM Only)
Filter Type	Mesh			WIREBOX
Dishwasher Safe	Yes			Fixed Wiring Box (400/600 CFM Only)
Easy Snap Clip Installation	Clips Included			LINSPT301228
				30" Self Supporting Liner (17 1/2" - 20 1/2" D)
				LINSPT361228
				36" Self Supporting Liner (17 1/2" - 20 1/2" D)

DIMENSIONAL DRAWINGS

FRONT VIEW



NOTE: DIMENSIONS FOR 400/600CFM

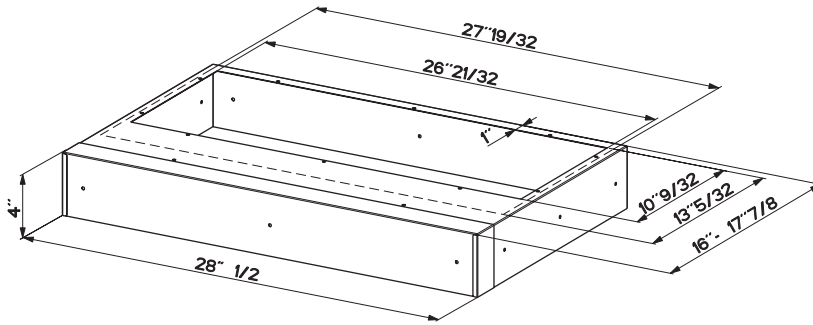
Rev5 323

800 Aviation Parkway, Smyrna, TN 37167 (508) 358-5353 | www.faberonline.com

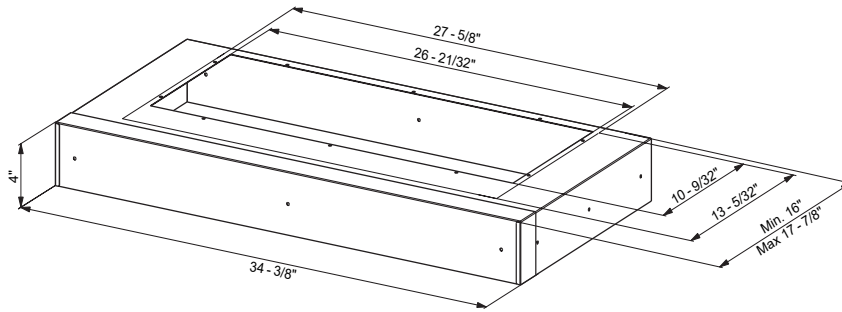
LINER SPECIFICATIONS

Liners are stainless steel kits that are optional for cabinet insert hoods. They create a metal perimeter to “line” the wood below the range hood with metal. They create a more finished look and move the range hood up creating additional capture area. In some cases, a liner may be required by local code if the cabinet starts at below 30” off the stove (check local building codes). All liners are adjustable in depth with a telescoping frame.

LINE30ST - USE WITH INSP28 ONLY FOR 30” WIDE CABINETS

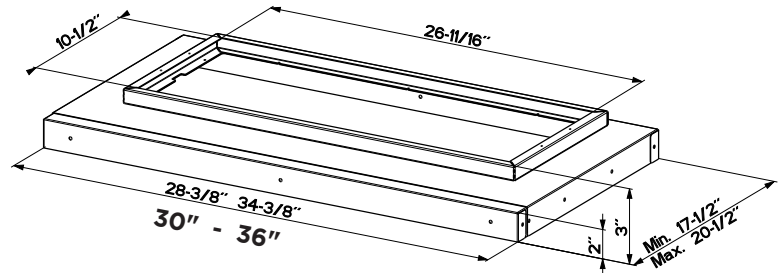


LINE36ST - USE WITH INSP28 ONLY FOR 36” WIDE CABINETS



LINSPT301228 / LINSPT361228 SELF SUPPORTING LINER USE WITH INSP28 ONLY

The liner is installed with screws against the walls of the cabinet, aligned with the cabinet bottom. The hood is installed onto the thick metal interior portion of the liner and is fully supported by the liner.



Rev5 323