

# LEVANTE II

PRO & UNDER CABINET

## TIMELESS, COMFORTABLE, VERSATILE

The simplicity that makes you love it and the ease of use that improves everyday life, with the certainty of constant and enduring reliability.

Levante range hoods are also easy to clean and that satisfies all practical requirements while being remarkably effective in neutralizing fumes, vapors, and odors in the kitchen, making the environment even more comfortable.

## AVAILABLE MODELS

Model #	FUN #	Size / Color	Motor Class (CFM)
<b>LEVT30SS395</b>	300.0669.604	30" Stainless Steel	395 CFM PRO
<b>LEVT36SS395</b>	300.0669.602	36" Stainless Steel	395 CFM PRO



THE **ENERGY-EFFICIENT** ENERGY MOTOR ALLOWS FOR LONGER DUCT RUNS, **IMPROVING PERFORMANCE**, REDUCING NOISE AND GIVING YOU GREATER INSTALLATION OPTIONS.



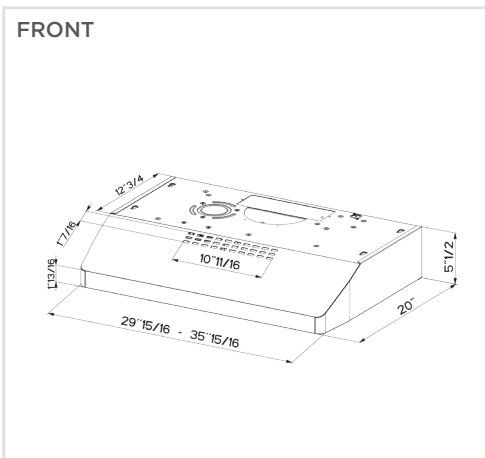
# LEVANTE II



MODEL	FUN #	SIZE/MATERIAL	MOTOR CLASS
<b>LEVT30SS395</b>	300.0669.604	30 Stainless Steel	395 CFM PRO
<b>LEVT36SS395</b>	300.0669.602	36 Stainless Steel	395 CFM PRO

FEATURES		PERFORMANCE		ACCESSORIES
<b>Dimensions</b>		<b>Motor</b>		<b>FILTER5</b>
Canopy Depth-Height	21" D x 5 1/2" H	No. of Fan Speed	4	Charcoal Filter Kit
<b>Ducting</b>		Motor Class	395 CFM	<b>REMORIG</b>
Type	Ducted/Ductless	Energy-Efficient Motor	Yes	Wireless Remote Control
Top Vent	Vari-Duct 7" Round, 3 1/4" x 10" Rectangle	<b>Display</b>		
Rear Vent	Vari-Duct 3 1/4" x 10" Rectangle	Controls	Electronic with White LED	
<b>Lighting</b>		Intensive Speed	10 Minutes	
Type	Energy-Efficient LED	Delay Shut-off	15 Minutes	
# of Bulbs	Two - 5 Watt - 1 Level	<b>Other</b>		
<b>Grease Filters</b>		ADA Compliant	With Remote Control	
Filter Type	Stainless Steel Mesh	Remote Control	Purchase Separately	
Dishwasher Safe	Yes	Fixed Wiring Box	Yes	

## DIMENSIONAL DRAWINGS



Rev3 1122