

DIMENSION GUIDE

WARNING: To reduce the risk of fire, electric shock, or injury to persons, read the IMPORTANT SAFETY INSTRUCTIONS, located in your appliance's Owner's Manual, before operating this appliance.

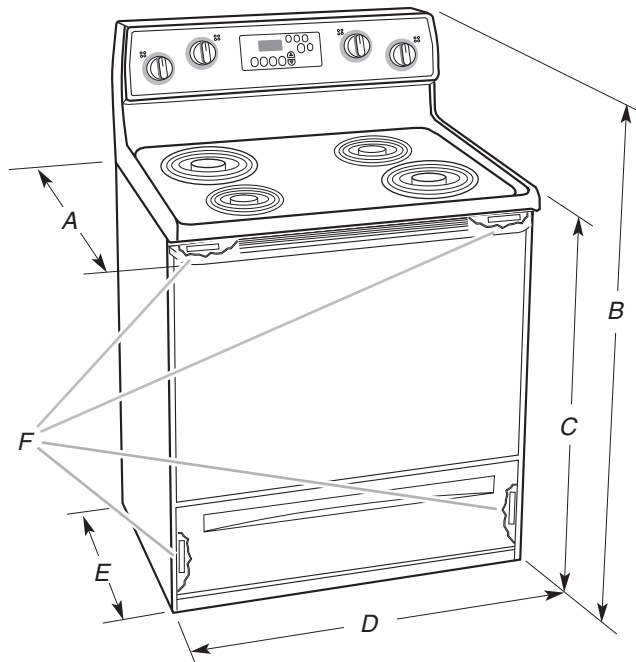
This manual covers several models. Your model may have some or all of the items listed. Refer to this manual or the Frequently Asked Questions section of our website at www.whirlpool.com for more detailed instructions. In Canada, reference the Customer Service section at www.whirlpool.ca.

PRODUCT MODEL NUMBERS

WFE535S0L, WFE550S0L, YWFE550S0L

PRODUCT DIMENSIONS

This manual covers several models. Your model may appear different from the models depicted. Dimensions given are maximum dimensions across all models.



- A. $27\frac{3}{4}$ " (70.5 cm) maximum depth with handle
- B. $46\frac{7}{8}$ " (119.1 cm) overall height (maximum) with leveling legs screwed all the way in*
- C. 36" (91.4 cm) cooktop height (maximum) with leveling legs screwed all the way in*
- D. $29\frac{7}{8}$ " (75.9 cm) width
- E. $25\frac{5}{16}$ " (64.3 cm) depth - back of range to front of cooktop**
- F. Model/serial/rating plate (located on the frame behind a top corner of the door or either side of the drawer)

IMPORTANT: Range must be level after installation. Follow the instructions in the "Level Range" section of your Owner's Manual. Using the cooktop as a reference for leveling the range is not recommended.

*Range can be raised approximately 1" (2.5 cm) by adjusting the leveling legs.

**Front of door and drawer may extend further forward depending on styling.