



## Installation Guide

Quality, Design and Innovation



[home.liebherr.com/fridge-manuals](http://home.liebherr.com/fridge-manuals)




# LIEBHERR





# General safety instructions

## Contents

<b>1</b>	<b>General safety instructions.....</b>	<b>2</b>
<b>2</b>	<b>Setup conditions.....</b>	<b>3</b>
2.1	Space.....	3
2.2	Fitting the appliance into the kitchen unit....	3
2.3	Setting up multiple appliances.....	4
2.4	Electrical connection.....	4
<b>3</b>	<b>Installation dimensions.....</b>	<b>5</b>
<b>4</b>	<b>Ventilation requirements.....</b>	<b>5</b>
<b>5</b>	<b>Water connection.....</b>	<b>5</b>
5.1	Water pressure.....	6
<b>6</b>	<b>Transporting the appliance.....</b>	<b>6</b>
<b>7</b>	<b>Unpacking the appliance.....</b>	<b>6</b>
<b>8</b>	<b>Mounting wall spacers.....</b>	<b>6</b>
<b>9</b>	<b>Setting up the device.....</b>	<b>6</b>
<b>10</b>	<b>Setting up the appliance level.....</b>	<b>6</b>
<b>11</b>	<b>After setup.....</b>	<b>7</b>
<b>12</b>	<b>Disposal of packaging.....</b>	<b>7</b>
<b>13</b>	<b>Reversing the door.....</b>	<b>7</b>
13.1	Removing the top door.....	8
13.2	Removing the bottom door.....	9
13.3	Moving the upper bearing parts to the other side.....	9
13.4	Moving the central bearing parts to the other side.....	10
13.5	Moving the lower bearing parts to the other side.....	10
13.6	Moving the door bearing parts to the other side.....	11
13.7	Fitting the bottom door.....	12
13.8	Fitting the top door.....	12
13.9	Aligning the doors.....	13
13.10	Fitting the covers.....	13
<b>14</b>	<b>Connecting the appliance to the water supply.....</b>	<b>13</b>
14.1	Connecting the water pipe.....	14
14.2	Check the water system.....	14
<b>15</b>	<b>Connecting the appliance.....</b>	<b>15</b>

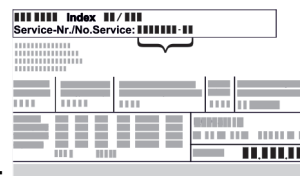
The manufacturer is constantly working to improve all types and models. Therefore, please be aware that we reserve the right to make changes to the shape, equipment and technology.

Symbol	Explanation
	<b>Read instructions</b> Please read the information in these instructions carefully to understand all of the benefits of your new appliance.

Symbol	Explanation
	<b>Check appliance</b> Check all parts for transport damage. If you have any complaints, please contact your agent or customer service.
	<b>Differences</b> These instructions apply to a range of models, so there may be differences. Sections that apply to certain models only are indicated by an asterisk (*).
	<b>Instructions and results</b> Instructions are marked with a ►. Results are marked with a ▷.
	<b>Videos</b> Videos about the appliances are available on the YouTube channel of Liebherr-Hausgeräte.

## 1 General safety instructions

- Please keep this assembly manual in a safe place so you can refer back to it at any time.
- If you pass the appliance on, please hand this assembly manual to the new owner.
- Read this assembly manual before installation and use in order to use the appliance safely and correctly. Follow the instructions, safety instructions and warning messages included at all times. They are important for ensuring you can operate and install the appliance safely and without any problems.
- First read the general safety instructions in the “General safety instructions” section of the **operating instructions**, which accompany these installation instructions, and follow them. If you cannot find the **operating instructions**, you can download the **operating instructions** from the internet by entering the service number at [home.liebherr.com/fridge-manuals](http://home.liebherr.com/fridge-manuals). The service number can be found on the serial



tag:

- **Observe the warning messages and other detailed information in the other sections when installing the appliance:**

	DANGER	indicates a hazardous situation, which if not avoided, will result in death or serious injury.
	WARNING	indicates a hazardous situation, which if not avoided, could result in death or serious injury.
	CAUTION	indicates a hazardous situation, which if not avoided, will result in minor or moderate injury.
	NOTICE	indicates a hazardous situation, which if not avoided, could result in damage to property.
	Note	indicates useful advice and tips.

## 2 Setup conditions



### WARNING

Risk of fire due to moisture!

If live parts or the power cord get wet, this can cause a short circuit.

- The appliance is designed for use in enclosed spaces. Do not operate the appliance in open space or in damp areas or where there is spray.

Normal use

- Only set up and use the appliance in enclosed spaces.

### 2.1 Space



### WARNING

Leaking refrigerant and oil!

Fire. The refrigerant contained within the appliance is environmentally friendly, but flammable. The oil contained within the appliance is flammable. Escaping refrigerant and oil can ignite if they are of high enough concentration and are exposed to an external heat source.

- Do not damage the pipelines of the coolant circuit and the compressor.

- If the appliance is installed in a very damp environment condensate water may form on the outside of the appliance.

Always ensure sufficient airflow and ventilation in the setup location.

- The more refrigerant there is in the appliance, the larger the space that it is installed in must be. If the space is too small, any leak may create a flammable mixture of gas and air. For every 8 g (0.28 oz) of refrigerant, the installation space must be at least 1 m<sup>3</sup> (35.5 ft<sup>3</sup>). Specifications on the refrigerant in the appliance can be found on the serial tag plate inside the appliance.

#### 2.1.1 Installation surface

- The floor of the installation site must be horizontal and level.
- The height of the appliance base must be the same as the surrounding floor.

#### 2.1.2 Installation position

- Do not install appliance in direct sunlight or next to an oven, radiator or similar.
- Always stand the appliance backed directly to the wall using the enclosed wall spacers (see below).

## 2.2 Fitting the appliance into the kitchen unit

You can install kitchen cabinets around the appliance.

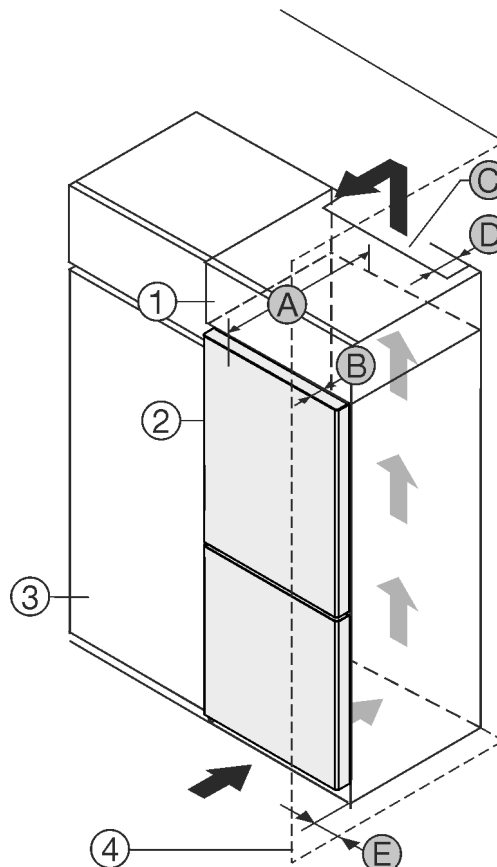


Fig. 1

(1) Top cupboard

(B) Door depth

## Setup conditions

- (2) Appliance                      (C) Ventilation cross-section  
 (3) Kitchen cabinet              (D) Distance to the rear of the appliance  
 (4) Wall                              (E) Distance to the side of the appliance

### (A) Appliance depth

You can place the appliance directly beside the kitchen cabinet *Fig. 1 (3)*.

There must be a ventilation shaft at the depth *Fig. 1 (D)* of the back of the top cupboard over the entire width of the top cupboard.

The cross section of the ventilation gap *Fig. 1 (C)* must be maintained below the ceiling.

If the appliance is set up with the hinges next to a wall *Fig. 1 (4)*, the distance between the appliance and the wall must be at least 13 mm (1/2 in).

In order to be able to fully open the door, the appliance must protrude by the depth of the door *Fig. 1 (B)* from the front of the kitchen cabinet. Regardless of the depth of the kitchen cabinets *Fig. 1 (3)* and use of wall spaces, the appliance can protrude further.

Appliances without handle / with recessed grip:	
A	675 mm (26 9/16 in) *
B	75 mm (2 15/16 in)
C	Min. 300 cm <sup>2</sup> (46.5 in <sup>2</sup> )
D	mind. 50 mm (1 15/16 in)
E	Min. 13 mm (1/2 in)

\* The use of wall spacers increases the dimensions by 15 mm (5/8 in) (see 8 Mounting wall spacers).

Ensure that the following conditions are met:

- Recess dimensions are adhered to.
- Ventilation requirements are complied with (see 4 Ventilation requirements).

## 2.3 Setting up multiple appliances

### NOTICE

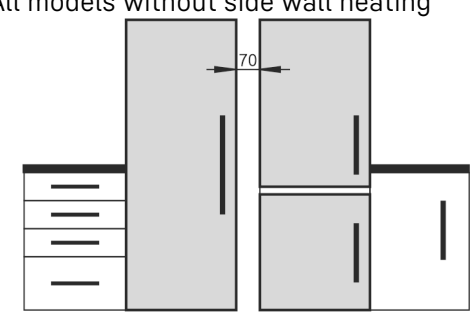
Risk of damage caused by water condensate!

- ▶ Do not install this device directly beside another fridge/freezer compartment.

These appliances are designed for different types of installation. Only combine appliances if the appliances are designed for this. The following table shows the installation options by model:

Setup type	Model
Single	All models
Side-by-Side (SBS)	Model that start with <b>S....</b>

Setup type	Model
Side-by-side with a space of 70 mm (2 3/4 in) between the appliances	All models without side wall heating



Otherwise condensation will build up between the units.

*Fig. 2*

Assemble appliances according to separate installation instructions.

## 2.4 Electrical connection



### WARNING

Danger of fire due to incorrect positioning!

If the power supply cable or plug touches the back of the appliance, the vibration can damage the power supply cable or the plug resulting in a short circuit.

- ▶ Make sure the power supply cable is not trapped under the appliance when you position the appliance.
- ▶ Install the appliance so that it does not touch any plugs or power cables.
- ▶ Do not connect any appliances to sockets in the area of the back of the appliance.
- ▶ Do **not** place and operate power strips/power distributors and other electronic devices (such as halogen transformers) at the back of the appliances.

## 3 Installation dimensions

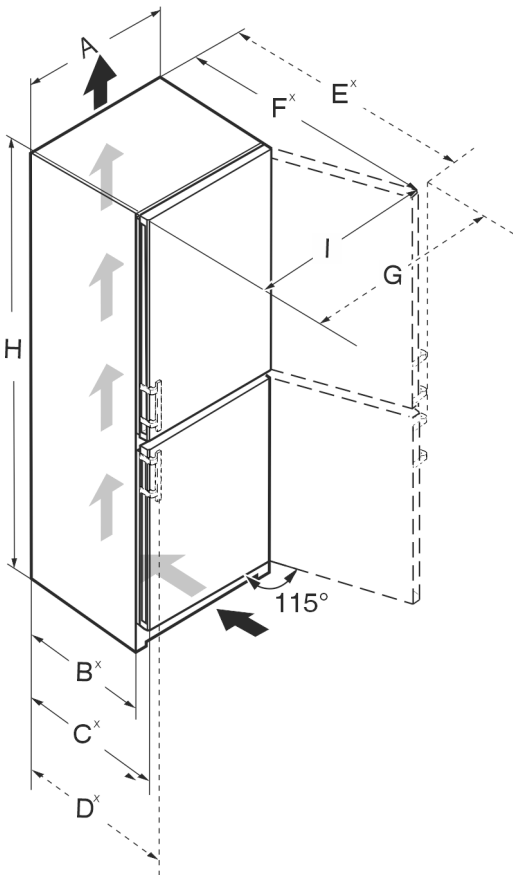


Fig. 3

C5740IM	
H	2015 mm (79 5/16 in)
A	597 mm (23 1/2 in)
B	611 mm (24 1/16 in) <sup>x</sup>
C	675 mm (26 9/16 in) <sup>x</sup>
D	–
I	846 mm (33 5/16 in)
G	–
F	1178 mm (46 3/8 in) <sup>x</sup>
E	–

SC7520 / C7540IM / SC7541IM	
H	1655 mm (65 3/16 in)
A	747 mm (29 7/16 in)
B	611 mm (24 1/16 in) <sup>x</sup>
C	675 mm (26 9/16 in) <sup>x</sup>
D	719 mm (28 5/16 in) <sup>x</sup>
I	1059 mm (41 11/16 in)

SC7520 / C7540IM / SC7541IM	
G	1096 mm (43 2/16 in)
F	1314 mm (51 3/4 in) <sup>x</sup>
E	1322 mm (52 1/16 in) <sup>x</sup>

C7620	
H	1855 mm (73 1/16 in)
A	747 mm (29 7/16 in)
B	611 mm (24 1/16 in) <sup>x</sup>
C	675 mm (26 9/16 in) <sup>x</sup>
D	–
I	1059 mm (41 11/16 in)
G	–
F	1314 mm (51 3/4 in) <sup>x</sup>
E	–

<sup>x</sup> For appliances with supplied wall spacers, the dimension must be increased by 15 mm (5/8 in) (see 8 Mounting wall spacers).

## 4 Ventilation requirements

### NOTICE

Risk of damage due to overheating in the case of insufficient ventilation!

In the case of insufficient ventilation, the compressor can be damaged.

- ▶ Make sure there is sufficient ventilation.
- ▶ Observe the ventilation requirements.

If the appliance is integrated in a fitted kitchen, the following ventilation requirements must be met:

- The spacing fins on the back of the appliance are used to ensure sufficient ventilation. These must not lie in cavities or recesses in their final installation position.
- Basically, the larger the ventilation gap, the more energy the appliance saves during operation.

## 5 Water connection

If your appliance has a fixed water connection, an elbow connector with screen filter is supplied with it.

Requirements for the water pressure:	(see 5.1 Water pressure)
Make the water connection:	(see 14 Connecting the appliance to the water supply)

# Transporting the appliance

## 5.1 Water pressure

The water connection line and solenoid valve of the appliance are suitable for a water pressure of up to 1 MPa (10 bar (145.04 psi)).

To ensure that the appliance functions correctly (flow rate, ice cube size, noise level), maintain the following water pressure:

Water pressure:		
bar	psi	MPa
1.5 to 6.2	21.76 to 87.02	0.15 to 0.62

If the pressure is higher than 6.2 bar (89.92 psi):

- ▶ Connect a pressure reducer.
- ▶ Make the water connection. (see 14 Connecting the appliance to the water supply)

## 6 Transporting the appliance

**Observe the following when transporting the appliance:**

- ▶ Transport the appliance upright.
- ▶ Use two people when transporting the appliance.

**During the first use:**

- ▶ Transport the appliance packaged.

**During appliance transport or at first use (e.g. when moving or cleaning):**

- ▶ Empty the appliance.
- ▶ Secure the door against undesired opening.

## 7 Unpacking the appliance

If the appliance is damaged check with the supplier immediately before connecting it.

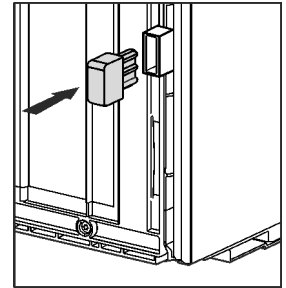
- ▶ Check the appliance and packaging for damage during transport. If you suspect any damage, please contact your supplier immediately.
- ▶ Remove all materials that could prevent it from being installed properly or prevent proper ventilation from the back or the side panels of the appliance.
- ▶ Remove all protective films from the appliance. Do not use sharp or pointed objects for this.

## 8 Mounting wall spacers

With the wall spacer, your appliance will achieve the specified energy consumption and no condensation will form in high ambient humidity. The appliance will work properly without using the wall spacer, but with a slightly higher energy consumption.

If you use the wall spacer, the appliance depth increases by approx. 15 mm (5/8 in).

- ▶ Appliance with supplied wall spacers: Fit wall spacers on the rear of the appliance at the bottom left and right.



## 9 Setting up the device



### CAUTION

Risk of injury due to heavy appliance!

- ▶ Have two people transport the appliance to its installation site.



### WARNING

Danger of injury and damage due to the appliance being unstable!

The appliance can tip over.

- ▶ Secure the appliance as described in the instructions.



### WARNING

Danger of fire and damage!

- ▶ Do not place devices that give off heat, e.g. microwaves, toasters, etc. on the appliance.

Make sure that the following requirements are fulfilled:

- Only move the appliance when it is not loaded.
- Only set up the appliance when someone is present to help you.

## 10 Setting up the appliance level



### CAUTION

Risk of injury or damage from the appliance tipping or the door falling open!

If the additional adjustable foot on the base support is not correctly positioned on the floor, there is a risk of the door falling open or the appliance tipping. This can lead to injury or property damage.

- ▶ Unscrew the additional adjustable foot on the support until it reaches the floor.
- ▶ Then turn it another 90°.



- ▶ Align the appliance so that it stands firmly and by applying the accompanying spanner to the adjustable height feet (A) and using a spirit level.
- ▶ Then prop up the door: Lower the adjustable foot on the bearing bracket (B) until it contacts the floor, then turn it an additional 90°.
- ▶ Then prop up the door: Screw out the adjustable foot on the bearing bracket (B) using the open-ended wrench SW10 until it comes into contact with the floor, then turn an additional 90°.

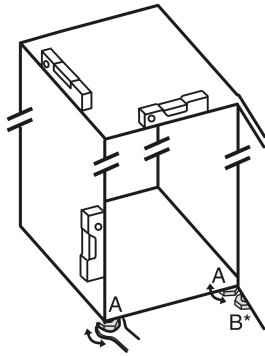


Fig. 4

## 11 After setup

- ▶ Pull off the protective film from the outside of the housing.
- ▶ Remove all transport packaging.
- ▶ Clean the appliance. (see operating instructions)
- ▶ Note the type (model, number), appliance designation, appliance/serial number, purchase date and dealer's address.

## 12 Disposal of packaging



### WARNING

Danger of suffocation from packaging materials and films!

- ▶ Do not allow children to play with packaging materials.

The packaging is made from recyclable materials:

- Corrugated card/cardboard
- Parts made of foamed polystyrene
- Films and bags from polyethylene
- Packing bands from polypropylene
- Wood frame nailed together with a polyethylene window\*
- ▶ Take the packaging material to an official collection point.

## 13 Reversing the door

### Tools



### WARNING

Danger of injury due to door falling out! If the bearing parts are not screwed on tightly enough, the door may fall out. This can result in serious injuries. In addition, the door may not close causing the appliance to cool improperly.

- ▶ Screw on the bearing brackets/bearing pins tightly with 4 Nm (3 ft lb).
- ▶ Check all screws and retighten them if necessary.

These sections apply for appliances **without a soft stop mechanism**:

- For appliances **without** the a stop mechanism
- For all appliances

### NOTICE

Risk of damage to side-by-side appliances caused by condensate!\*

Certain appliances can be set up as side-by-side combinations (two appliances beside one another).

If your appliance **is a side-by-side appliance**:

- ▶ Install the SBS combination in accordance with the accompanying sheet.

If the **configuration of appliances is specified**:

- ▶ Do not change the door stop.

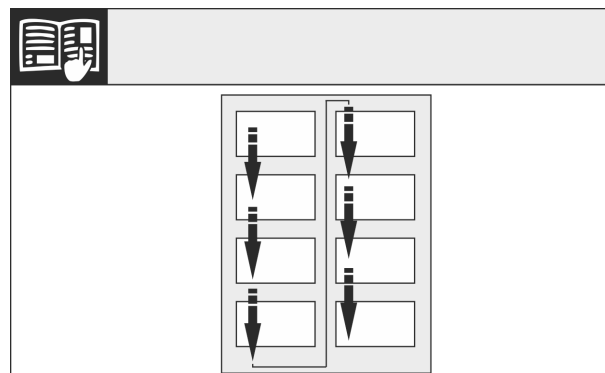


Fig. 5

Observe the reading direction.

# Reversing the door

## 13.1 Removing the top door

### Note

- ▶ To prevent food items from falling out, take all food out of the door racks before removing the door.

### For appliances without soft stop mechanism:

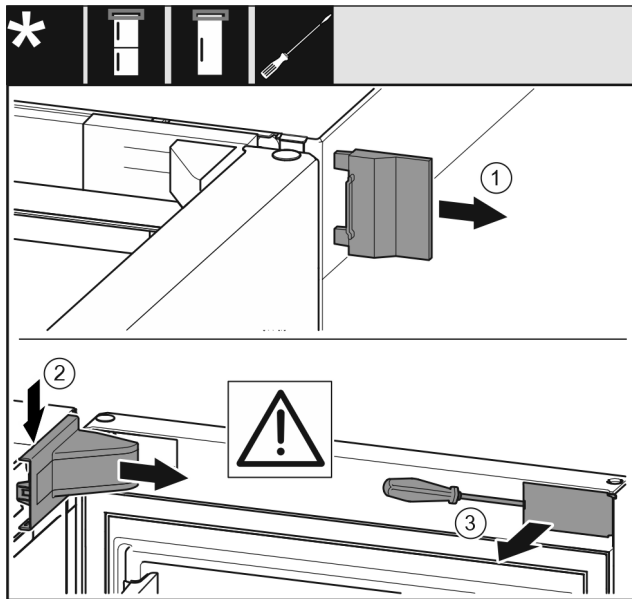


Fig. 6

- ▶ Open the door.

### NOTICE

Risk of damage!

If the door seal is damaged the door may not close properly and the level of cooling is insufficient.

- ▶ Do not damage the door seal with the screwdriver!

- ▶ Remove the outer cover. Fig. 6 (1)
- ▶ Disengage and release the bearing bracket cover. Remove the bearing bracket cover. Fig. 6 (2)
- ▶ Unlatch the panel with a slotted screwdriver and swivel it to one side. Fig. 6 (3)

### For all appliances:

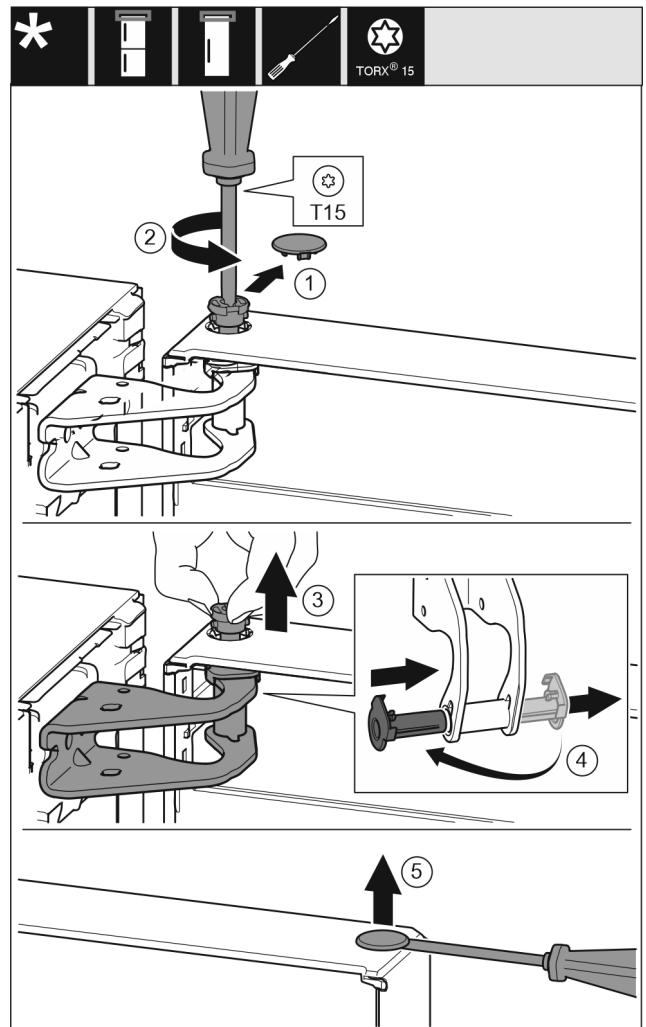


Fig. 7

### CAUTION

Risk of injury if the door tips out!

- ▶ Keep a steady grip on the door.
- ▶ Set the door down carefully.

- ▶ Carefully remove the protective cover. Fig. 7 (1)
- ▶ Loosen the bolts slightly with a T15 screwdriver. Fig. 7 (2)
- ▶ Hold the door and remove the bolts with your fingers. Fig. 7 (3)
- ▶ Pull the bearing bush out of the guide. Insert from the other side and latch into place. Fig. 7 (4)
- ▶ Lift the door and place it to one side.
- ▶ Carefully lift the plugs out of the door bearing bush with a slotted screwdriver and remove them. Fig. 7 (5)



## 13.2 Removing the bottom door

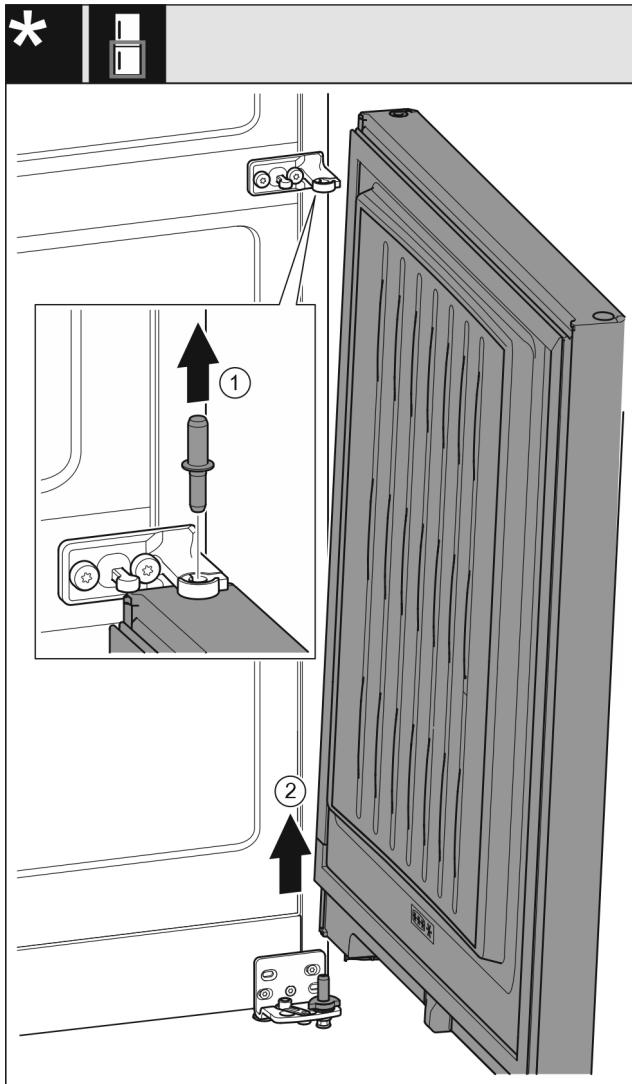


Fig. 8

- ▶ Pull out the bolts upward. Fig. 8 (1)
- ▶ Swing the door out, pull it upward and set it aside. Fig. 8 (2)



### CAUTION

- Risk of injury if the door tips out!
- ▶ Keep a steady grip on the door.
  - ▶ Set the door down carefully.

## 13.3 Moving the upper bearing parts to the other side

For all appliances:

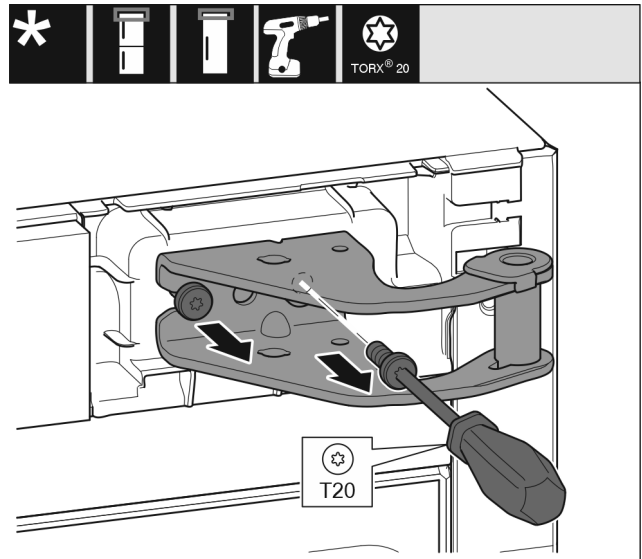


Fig. 9

- ▶ Remove both screws with a T20 screwdriver.
- ▶ Lift and remove the bearing bracket.

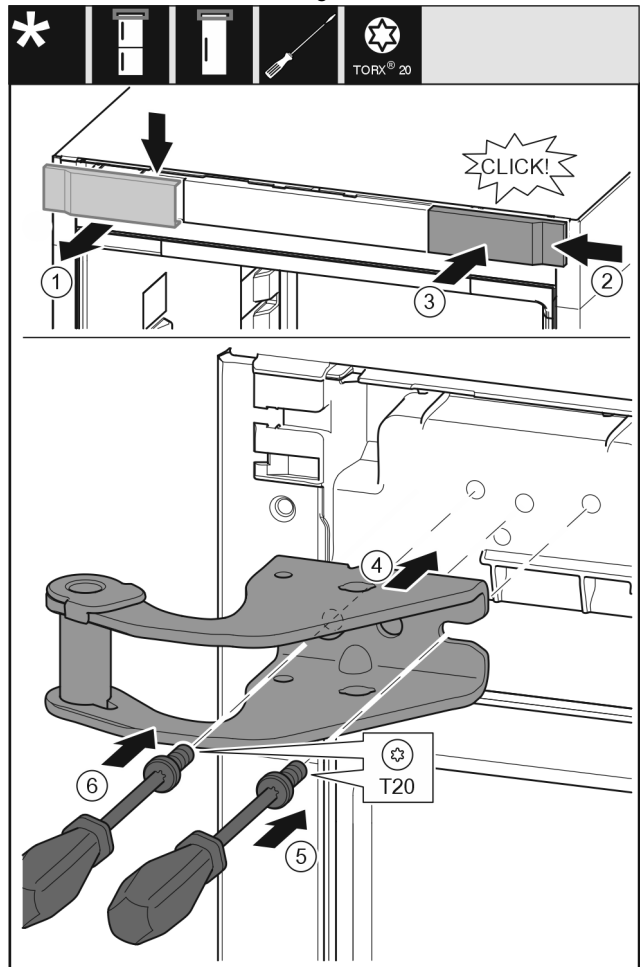


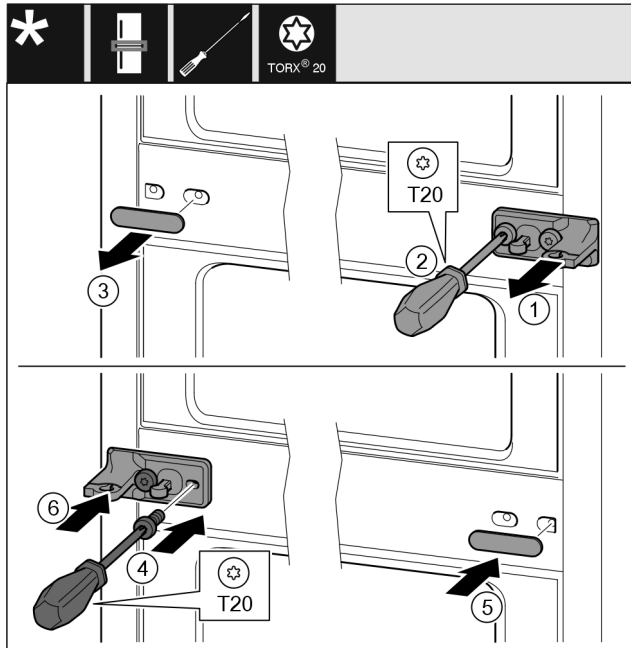
Fig. 10

- ▶ Take off the cover to the front from above. Fig. 10 (1)
- ▶ Rotate the cover 180° and clip onto the other side from the right. Fig. 10 (2)
- ▶ Latch the cover into place. Fig. 10 (3)

## Reversing the door

- ▶ Position the upper bearing bracket. *Fig. 10 (4)*
- ▶ Insert the screw with a T20 screwdriver and tighten it. *Fig. 10 (5)*
- ▶ Insert the screw with a T20 screwdriver and tighten it. *Fig. 10 (6)*

### 13.4 Moving the central bearing parts to the other side

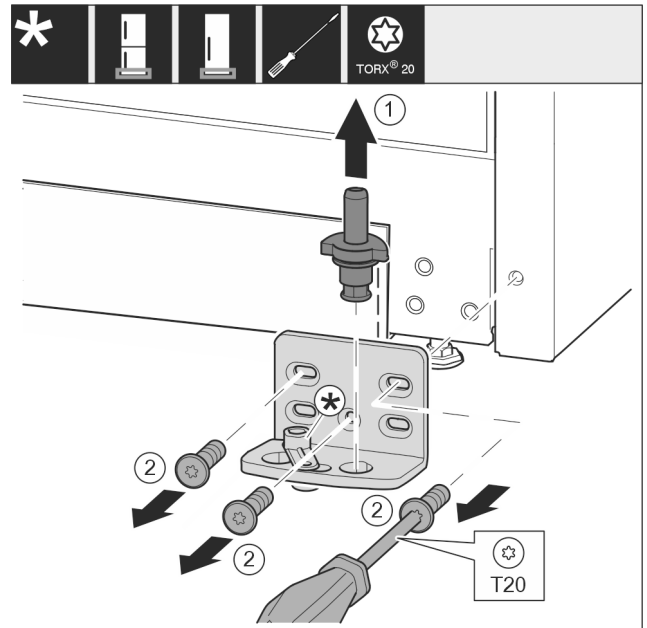


*Fig. 11*

- ▶ Remove the washer. *Fig. 11 (1)*
- ▶ Remove the screws with the T20 screwdriver. *Fig. 11 (2)*
- ▶ Remove the cover carefully. *Fig. 11 (3)*
- ▶ Screw the bearing bracket and the film rotated 180° firmly onto the other side. *Fig. 11 (4)*
- ▶ Attach the cover rotated 180° onto the other side. *Fig. 11 (5)*
- ▶ Push the washer in from the front. *Fig. 11 (6)*

### 13.5 Moving the lower bearing parts to the other side

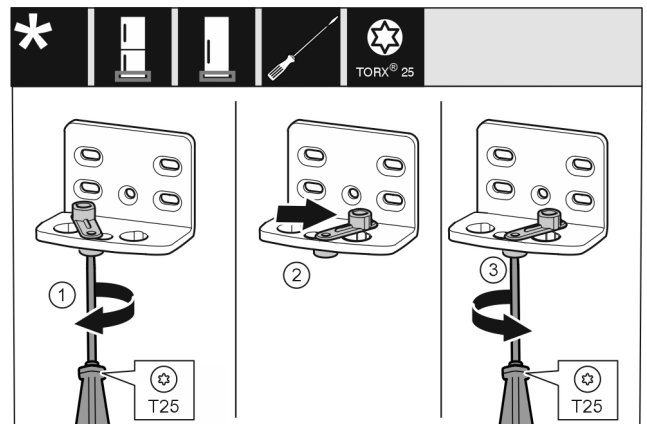
**For all appliances:**



*Fig. 12*

- ▶ Lift the bearing pin completely upward and remove it. *Fig. 12 (1)*
- ▶ Remove the screws with the T20 screwdriver and take off the bearing bracket. *Fig. 12 (2)*

**For appliances without soft stop mechanism:**



*Fig. 13*

- ▶ Loosen the screw using a T25 screwdriver. *Fig. 13 (1)*
- ▶ Lift the door closing aid and turn it 90° to the right in the hole. *Fig. 13 (2)*
- ▶ Tighten the screw using the T25 screwdriver. *Fig. 13 (3)*

**For all appliances:**

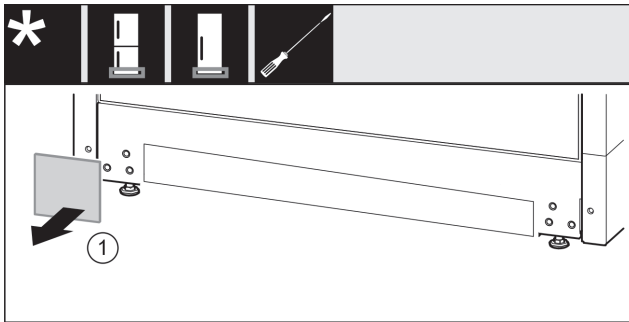


Fig. 14

- ▶ Take off the cover. Fig. 14 (1)

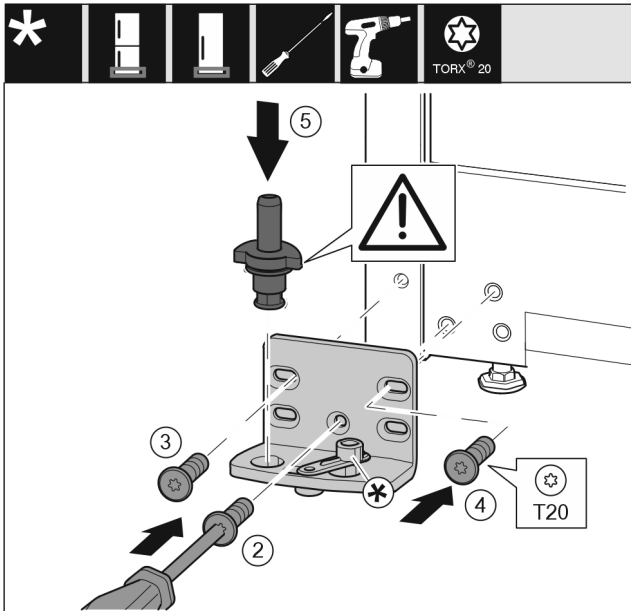


Fig. 15

- ▶ Place the bearing bracket on the other side and screw it in using the T20 screwdriver. Start with screw 2 at the bottom in the middle. Fig. 15 (2)
- ▶ Screw in screws 3 and 4. Fig. 15 (3,4)
- ▶ Insert the bearing pin completely. Make sure that the latching lug is pointing to the rear. Fig. 15 (5)

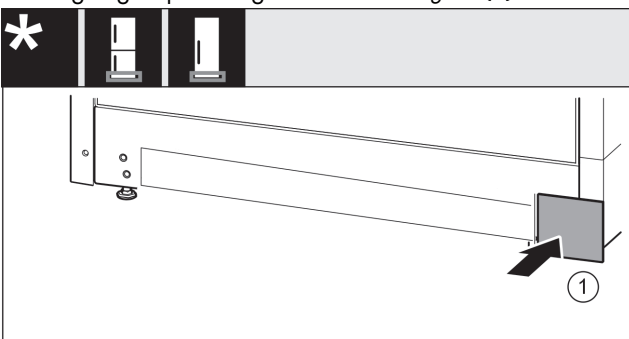


Fig. 16

- ▶ Put back the cover on the other side. Fig. 16 (1)

## 13.6 Moving the door bearing parts to the other side

For appliances without soft stop mechanism:

### Bottom door

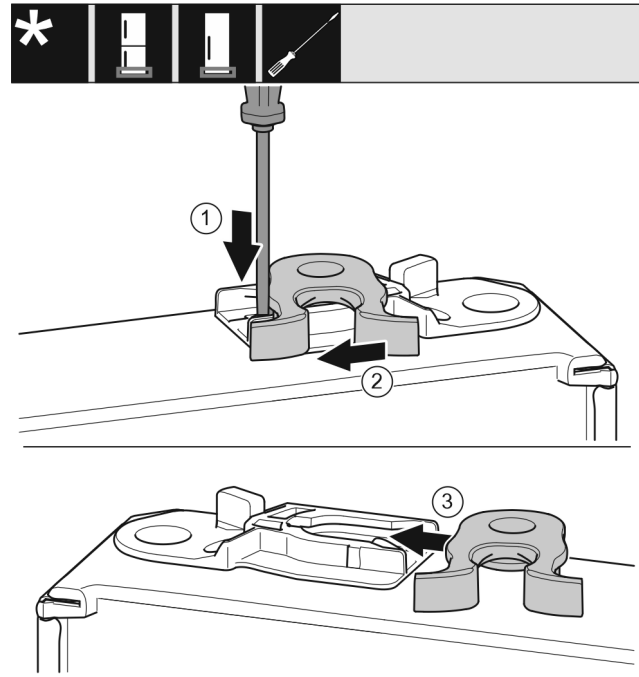


Fig. 17

- ▶ Underside of door faces upwards: Turn the door.
- ▶ Push the lug downward with a slotted screwdriver. Fig. 17 (1)
- ▶ Pull the door latch out of the guide. Fig. 17 (2)
- ▶ Push the door latch into the guide on the other side. Fig. 17 (3)
- ▶ Upper side of door faces upwards: Turn the door.

### Top door

## Reversing the door

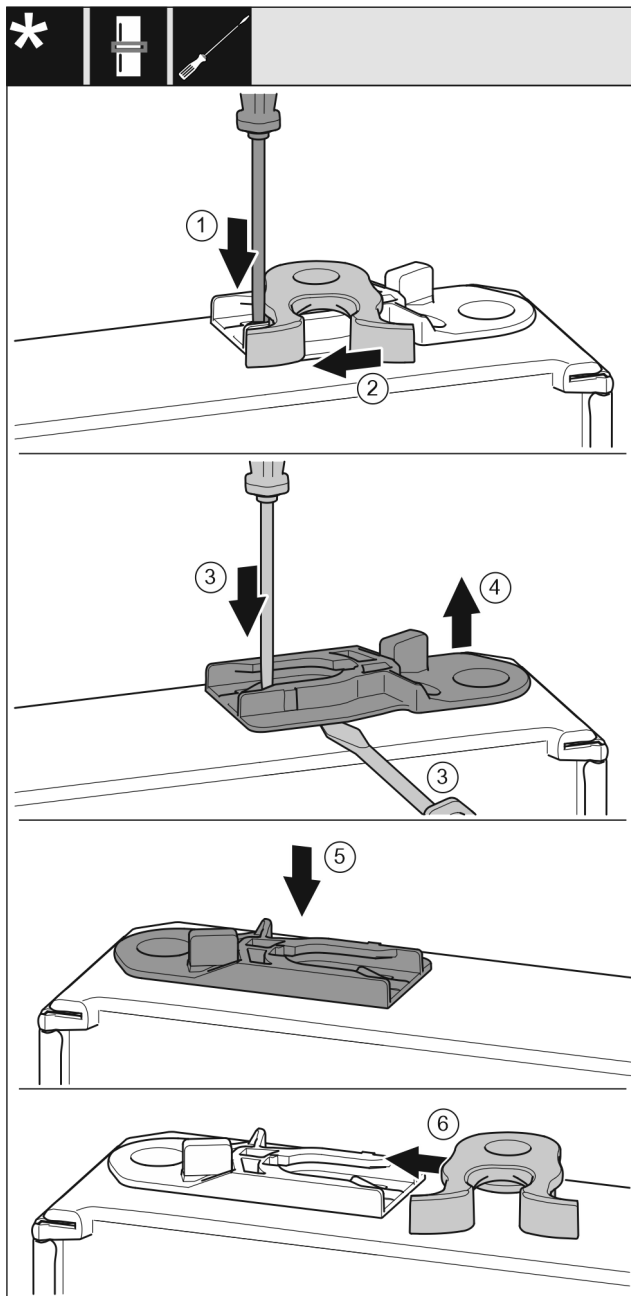


Fig. 18

- ▶ Underside of door faces upwards: Turn the door.
- ▶ Push the lug downward with a slotted screwdriver. Fig. 18 (1)
- ▶ Pull the door latch out of the guide. Fig. 18 (2)
- ▶ Pull out the guide bush: Press the lug with a slotted screwdriver and, at the same time, insert the slotted screwdriver under the guide bush. Fig. 18 (3, 4)
- ▶ Slide the guide bush included in the scope of supply to the other side of the housing. Fig. 18 (5)
- ▶ Push the door latch into the guide. Fig. 18 (6)
- ▶ Upper side of door faces upwards: Turn the door.

## 13.7 Fitting the bottom door

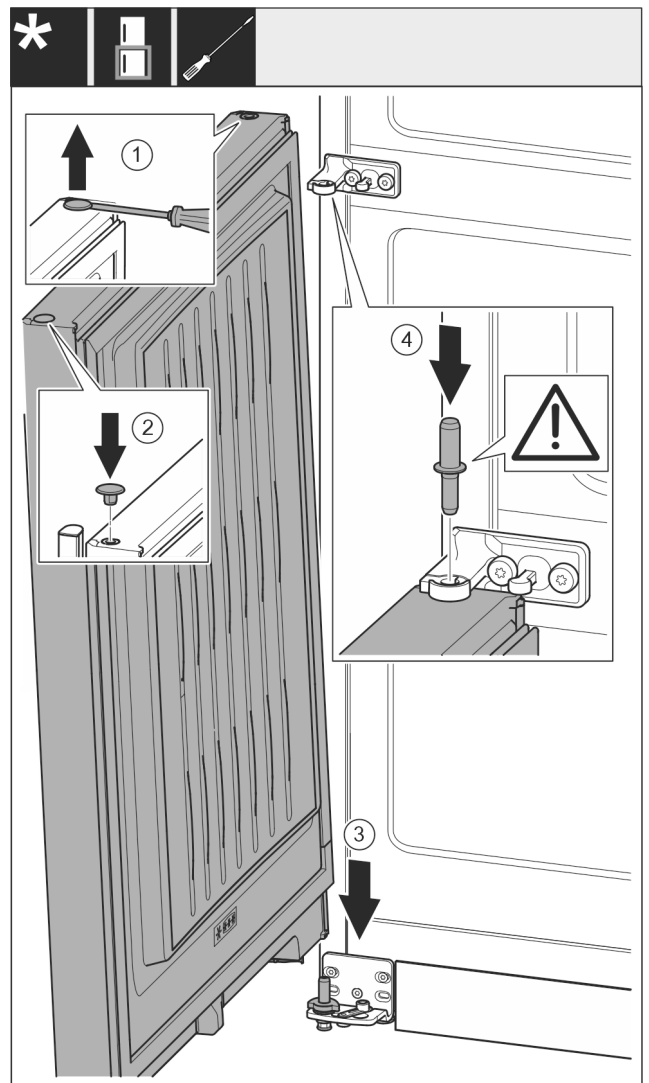


Fig. 19

- ▶ Carefully lift up the plugs with a slotted screwdriver and pull them out. Fig. 19 (1)
- ▶ Insert the plugs again on the other side of the door. Fig. 19 (2)
- ▶ Position the door from above onto the lower bearing pins. Fig. 19 (3)
- ▶ Insert the center bearing pin through the center bearing bracket into the bottom door. Make sure that the latching lug is pointing to the rear. Fig. 19 (4)

## 13.8 Fitting the top door

For all appliances:

## Connecting the appliance to the water supply

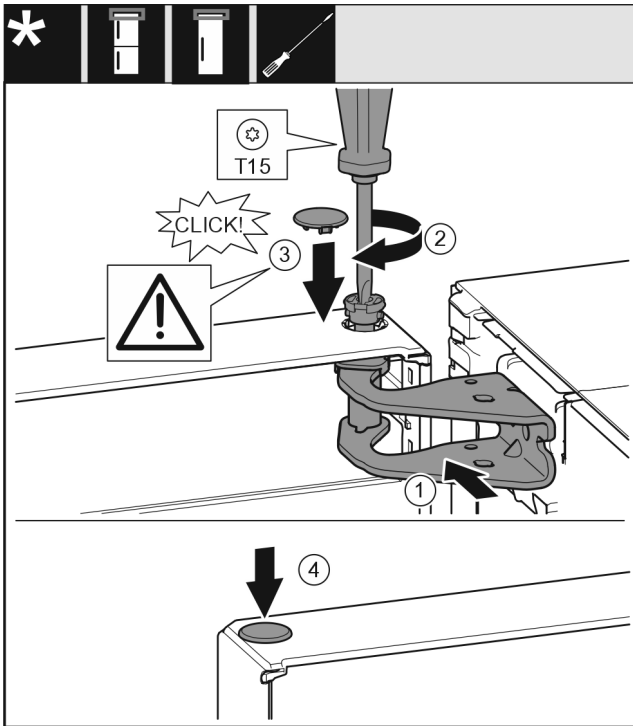


Fig. 20

- ▶ Place the door on the center bearing pins.
- ▶ Align the top of the door with opening in the bearing bracket. Fig. 20 (1)
- ▶ Insert the bolt and tighten with a T15 screwdriver. Fig. 20 (2)
- ▶ Fit the protective cover to protect the door: Insert the protective cover and check that it lies flush on the door. If not, insert the bolt fully. Fig. 20 (3)
- ▶ Insert the plugs. Fig. 20 (4)

### 13.9 Aligning the doors

For all appliances:



#### WARNING

Danger of injury due to door falling out!  
If the bearing parts are not screwed on tightly enough, the door may fall out. This can result in serious injuries. In addition, the door may not close causing the appliance to cool improperly.

- ▶ Screw the bearing brackets on firmly with 4 Nm (3 ft lb).
- ▶ Check all screws and retighten them if necessary.
- ▶ Align the doors flush with the appliance housing using the two slots in the lower bearing bracket and center bearing bracket if needed. To do this undo the middle screw in the bottom bearing bracket with the T20 tool supplied. Undo the remaining screws a little with the T20 tool or with a T20 screwdriver and align via the slots. Undo the screws in the middle bearing bracket with the T20 tool and align the middle bearing bracket via the slots.

- ▶ Prop up the door: Screw out the adjustable foot on the bearing bracket using the open-ended wrench SW10 until it comes into contact with the floor, then turn an additional 90°.

### 13.10 Fitting the covers

For appliances without soft stop mechanism:

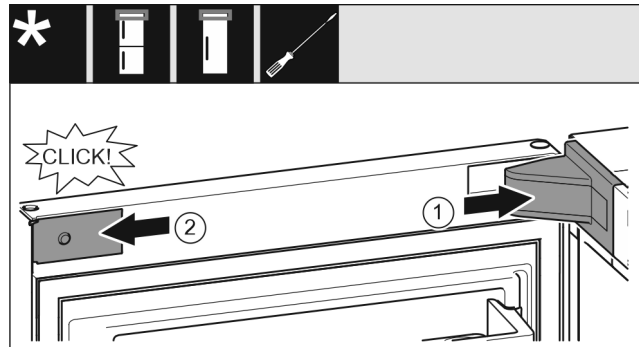


Fig. 21

The door is open 90°.

- ▶ Position the bearing bracket cover and engage it. If necessary push it apart carefully. Fig. 21 (1)
- ▶ Position the panel on the side and latch into place. Fig. 21 (2)

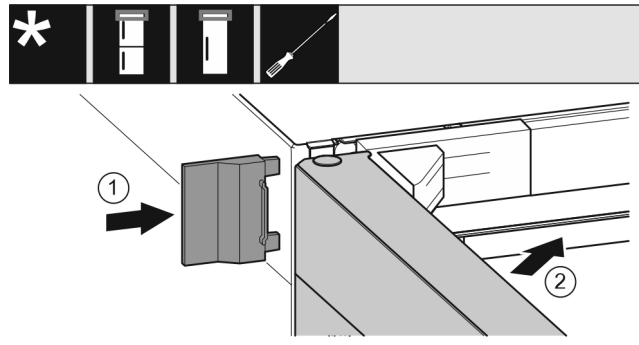


Fig. 22

- ▶ Slide on the outer cover. Fig. 22 (1)
- ▶ Close the upper door. Fig. 22 (2)

## 14 Connecting the appliance to the water supply

Make sure that the following requirements are fulfilled:

- The dimensions for the water supply connection are known and complied with.
- The correct water pressure is maintained.
- Water is supplied to the appliance via a cold water pipe that can withstand the operating pressure and is connected to the drinking water supply.
- All equipment and devices used for the water supply comply with the applicable regulations in the country of use.

## Connecting the appliance to the water supply

- ❑ The back of the appliance is accessible so that you can connect the appliance to the drinking water supply.
- ❑ A coupler between the R3/4 connection thread and the 1/4" OD copper pipe is supplied.
- ❑ There is a screen filter with a seal in the coupler. The screen filter with a seal is supplied.
- ❑ A **1/4" OD copper pipe** is used to connect the water supply to the solenoid valve. **This is not supplied with the appliance.**
- ❑ There is an adaptor between the hose 1/4" OD copper pipe and the domestic water connection so that you can turn off the water supply if necessary.
- ❑ The adaptor is not directly behind the appliance and is easily accessible. This way, you can push the appliance as close as possible to the wall and can quickly turn off the faucet if necessary.



### WARNING

Risk of electric shock from water!

- ▶ Before connecting to the water hose: Disconnect the appliance from the mains.
- ▶ Before connecting to water lines: Shut off the water supply.
- ▶ Make sure that only qualified personnel connect the device to the drinking water supply.



### WARNING

Risk of poisoning due to contaminated water!

- ▶ Connect to potable water supply only.

## 14.1 Connecting the water pipe

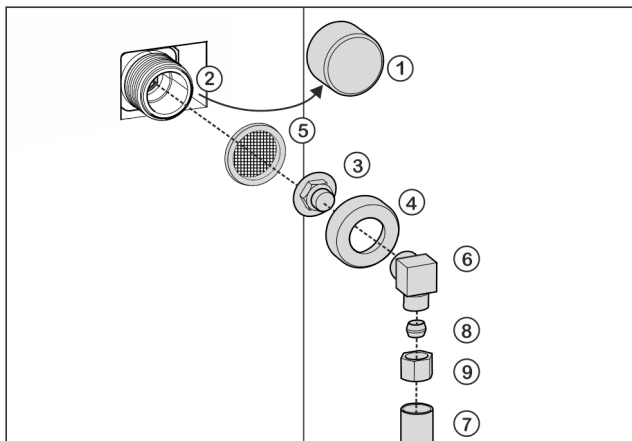


Fig. 23

- |                    |  |
|--------------------|--|
| (1) Cap            | (6) Angle piece                            |
| (2) Solenoid valve | (7) Water pipe (e. g. 1/4" OD copper pipe) |
| (3) Coupler        | (8) Clamp ring                             |
| (4) Union nut      | (9) Nut                                    |
| (5) Screen filter  |  |

### NOTICE

Risk of damage from incorrect installation!

- ▶ Do not damage or kink the water pipe (e. g. copper pipe) during installation.
- ▶ Do not damage or kink the water pipe (e. g. copper pipe) when setting up the appliance.

### Connecting the coupler to the appliance:

- ▶ Remove cap *Fig. 23 (1)* from solenoid valve *Fig. 23 (2)*.
- ▶ Insert coupler *Fig. 23 (3)* into union nut *Fig. 23 (4)*.

### NOTICE

The filter can be damaged if not correctly fitted!

- ▶ Observe the following instruction when putting in the filter.
- ▶ Insert the filter *Fig. 23 (5)* with the recess pointing down towards the coupler *Fig. 23 (3)*.

### NOTICE

The thread can be damaged if the union nut is over-tightened!

- ▶ Observe the following instructions for fitting the union nut on the solenoid valve.
- ▶ Screw the union nut *Fig. 23 (4)* by hand onto the thread of the solenoid valve *Fig. 23 (2)* until it is firmly in place.
- ▶ The coupler is connected to the appliance.

### 90° bend in the water connection: Connecting the water hose to the elbow connector:

- ▶ Screw on angle piece *Fig. 23 (6)*.
- ▶ Connect the water pipe *Fig. 23 (7)* (e. g. 1/4" OD copper pipe) with the clamp ring *Fig. 23 (8)* and nut *Fig. 23 (9)* to the elbow connector *Fig. 23 (6)*.
- ▶ The water pipe is connected to the elbow connector.

-or-

### No bend in the water connection: Connecting the water hose to the coupler:

- ▶ If necessary: Fasten the water pipe *Fig. 23 (7)* to the housing with the guide clip.
- ▶ Put angle piece *Fig. 23 (6)* to one side.
- ▶ Connect the water pipe *Fig. 23 (7)* (e. g. 1/4" OD copper pipe) with the clamp ring *Fig. 23 (8)* and nut *Fig. 23 (9)* to the coupler *Fig. 23 (3)*.
- ▶ If necessary: Fasten the water pipe *Fig. 23 (7)* to the housing with the guide clip.
- ▶ The water pipe is connected to the coupler.

### Fitting the adaptor between the water pipe and the water supply:

- ▶ Connect the water pipe (e. g. 1/4" OD copper pipe) to the water supply with a suitable adaptor.
- ▶ The water is connected to the water supply with an adaptor.

## 14.2 Check the water system

Before you completely install the appliance, Liebherr recommends checking the water system for leaks.

- ▶ Slowly turn on the water feed.



- ▶ Check the hose, water feed and connections for leaks.
- ▷ The water system has now been checked for leaks.
- ▷ The water system is not leaking: You can install up the appliance completely.

---

**Note**

**IceMaker:** Before the first use, you must clean the IceMaker. (see Quick Start Guide or operating instructions)\*

---

## 15 Connecting the appliance

---

**WARNING**

Danger of fire due to incorrect connection!  
Burns.

Damage to the appliance.

- ▶ Do not use an extension cord.
- ▶ Do not use a multipoint connector strip.

---

**NOTICE**

Danger of damage to incorrect connection!  
Damage to the appliance.

- ▶ Do not connect the appliance to a stand-alone inverter, e.g. solar power systems and petrol generators.

---

**Note**

Only use the mains cable supplied.

- ▶ A longer mains cable can be ordered from Customer Service.

Make sure that the following requirements are fulfilled:

- The type of current and voltage at the installation site complies with the information on the serial tag .
- The socket is grounded and fused in accordance with regulations.
- The tripping current for the fuse is between 10 and 16 A.
- The socket is easily accessible.
- The socket is not located behind the appliance but in areas a or b (*a, b, c*).
- ▶ Check the electrical connection.
- ▶ Insert the appliance plug (*G*) on the rear side of the appliance. Ensure that they latch into place correctly.
- ▶ Connect the mains plug to the power supply.
- ▷ The Liebherr logo appears on the screen.
- ▷ The display switches to the standby symbol.



[home.liebherr.com/fridge-manuals](https://home.liebherr.com/fridge-manuals)

**EN** Combined fridge-freezer

Issue date: 20240216

**Part number index: 7086355-00**

For Service in the U.S.: Liebherr Service Center  
Toll Free: 1-866-LIEBHER or 1-866-543-2437  
Service-appliances.us@liebherr.com  
PlusOne Solutions, Inc.  
3501 Quadrangle Blvd, Suite 120  
Orlando, FL 32817

For Service in Canada: Liebherr Service Center  
Toll Free: 1-888-LIEBHER or 1-888-543-2437  
www.euro-parts.ca  
EURO-PARTS CANADA  
39822 Belgrave Road, Belgrave, Ontario, N0G 1E0  
Phone: (519) 357-3320 | Fax: (519) 357-1326