

30" Warming Drawer

\$1,799

dacor



DWR30U900WP/DA – Panel Ready

Features & Benefits

- 4 temperature levels
- 4 timer settings
- Electronic control panel
- Panel ready

Controls

CONTROL TYPE	Tactile Control
KITCHEN TIMER	Yes

Warming Drawer

CAPACITY (CU. FT.)	1.6
TEMPERATURE RANGE	85°F to 220°F
POWER	500W
MOIST / CRISP SELECTOR	No
APPROVED FOR OUTDOOR USAGE	No

Weights & Dimensions

NET WEIGHT (LBS.)	73.2
SHIPPING WEIGHT (LBS.)	79.6
PRODUCT DIMENSIONS (W X H X D IN INCHES)	28 ³ / ₈ x 9 ¹ / ₁₆ x 23 ¹³ / ₁₆
CUTOUT REQUIRED (W X H X D IN INCHES)	28 ¹ / ₂ x 9 ¹ / ₈ x 24

Technical Details

ELECTRICAL REQUIREMENTS	120V, 60 Hz, 15A
--------------------------------	------------------

Warranty

FULL COVERAGE	2 Years
----------------------	---------

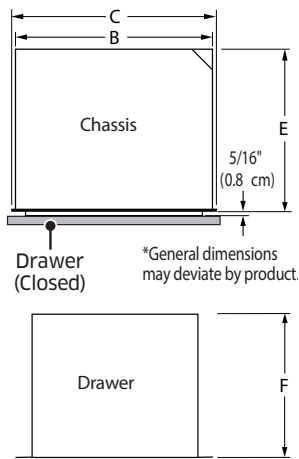
30" Warming Drawer

\$1,799



Appliance Dimensions	
A - MOUNTING BRACKET WIDTH (IN/CM)	28 5/16 / 71.9
B - CHASSIS WIDTH (IN/CM)	27 7/16 / 70.1
C - CHASSIS FACE WIDTH (IN/CM)	28 3/8 / 72.1
D - MOUNTING BRACKET HEIGHT (IN/CM)	8 15/16 / 22.7
E - CHASSIS DEPTH (IN/CM)	23 1/2 / 59.6
F - DRAWER DEPTH (IN/CM)	22 5/8 / 57.4
G - CHASSIS HEIGHT (IN/CM)	9 1/16 / 23
H* - DRAWER FRONT WIDTH (IN/CM)	29 3/4 / 75.6
I* - DRAWER FRONT HEIGHT (IN/CM)	9 3/8 / 23.9
J* - DRAWER FRONT DEPTH (IN/CM)	May Vary. See Manual.

Recommended custom panel dimension based on DWR30U900WS/DA and DWR30U900WM/DA steel door front dimensions. Depth of Custom Panels may vary.

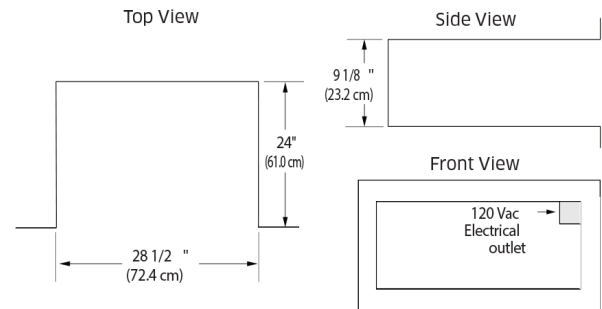


TOP VIEW

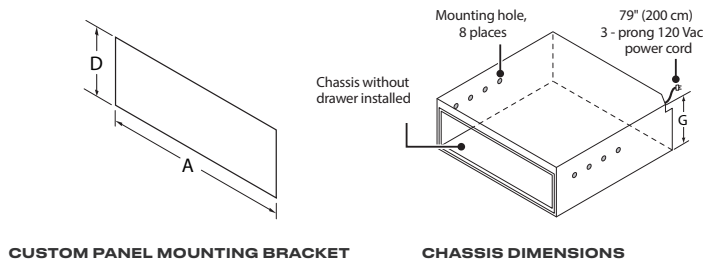
Installation Specifications	
A - CUTOUT WIDTH (IN/CM)	28 1/2 / 72.4
B* - MINIMUM WIDTH TO ADJACENT DOORS/DRAWERS (IN/CM)	30 1/4 / 76.8
C - CUTOUT HEIGHT (IN/CM)	9 1/8 / 23.2
D - MINIMUM VERTICAL GAP BETWEEN CUTOUTS (IN/CM)	1 1/4 / 3.2
MINIMUM CUTOUT DEPTH (IN/CM)	24 / 61.0

*Bare minimum spacing for ventilation and to avoid scraping on DWR30U900WS, DWR30U900WM models

** DWR30U900WP : Chassis and drawer face are smaller than cutout; custom front panel mounts to drawer face; height and width of custom front panel must exceed cutout dimensions (A, C above) to cover hole; allow 1/4" minimum added space on top, bottom and sides from the custom front panel edge to prevent scraping against adjacent doors, drawers, and countertop;

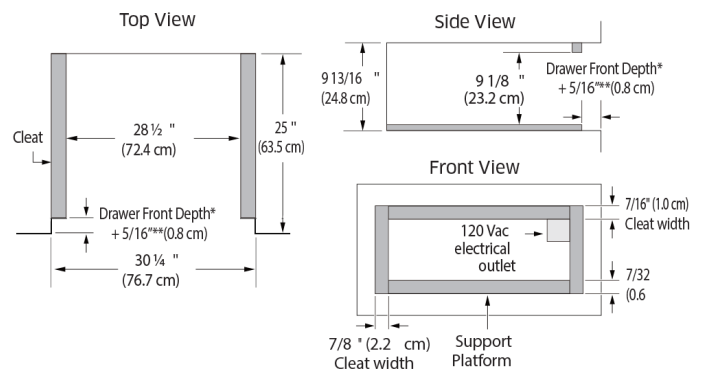


STANDARD INSTALLATION CUTOUT DIMENSIONS

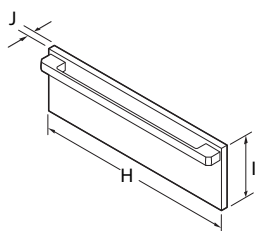


CUSTOM PANEL MOUNTING BRACKET

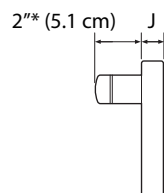
CHASSIS DIMENSIONS



FLUSH INSTALLATION CUTOUT DIMENSIONS



DRAWER FRONT DIMENSIONS



HANDLE DIMENSION

(Recommended Custom Panel Width and Height Only. Custom Panel depth may vary.)