

# AK3001LP

## 30" Culinary Series Professional Gas Range

- Versatile German designed tower burners (high power or low simmer)
- Large 4.5-cu. ft. capacity convection oven with blue porcelain interior
- Durable, high-grade LED illuminated knobs
- Heavy-duty continuous grates
- Equipped with adjustable, full-extension glide racks



Continuous Grates maximize cooking surface



Premium LED lit metal knobs

### Oven Properties and Features

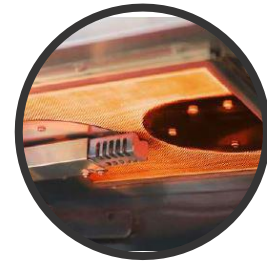
Oven Capacity	4.5-cu. ft.
Cooking Modes	Bake, Convection, Broil
Cleaning Type	Manual
Oven Burner	U-Shape
Bake Power	22,000 BTU
Broiler Power	16,500 BTU Infrared
Adjustable Full Extension Glide Racks	2
Interior Material	Blue Porcelain
Convection	Yes



Large Capacity Oven with Blue Interior

### Cooktop Properties and Features

Cooking Grates	Cast Iron, Continuous
Total Number of Sealed Burners	4 Dual Power
Drip Pan	Black Porcelain
Knobs	Stainless Steel, LED
Front Left Burner Power	18,000 BTU/650 BTU
Front Right Burner Power	18,000 BTU/650 BTU
Rear Left Burner Power	9,000 BTU/650 BTU
Rear Right Burner Power	9,000 BTU/650 BTU



High Power Infrared Broiler

### Additional Information

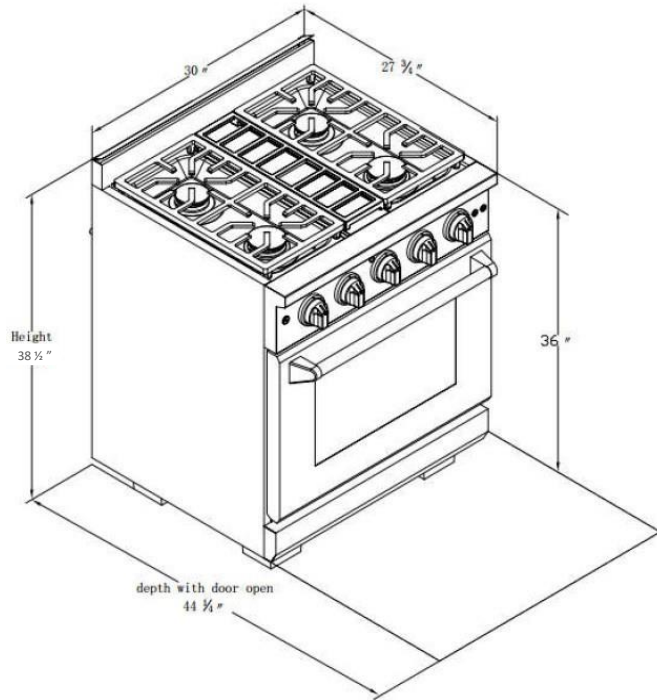
Warranty	2 Year, Parts & Labor
Included Accessories	Broiler Pan
Available Accessories	Additional Racks/Broiler Pans

\*LP BTU may be slightly different



Ultra Low Simmer and High Power Dual Burners

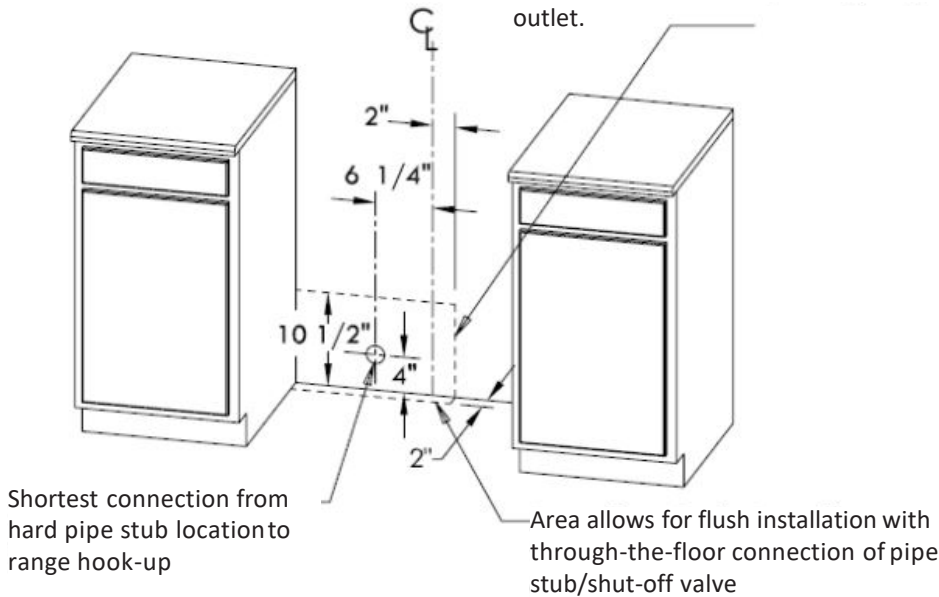
## Overall Dimensions



## Technical Details

Overall Dimensions	28"D x 30"W x 39"H
Adjustable Range Height	7/8"
Net Weight	355 lbs.
Backguard Height	2.5"
Amps/Volts/Freq	20A/120V/60Hz
Plug Type/Cord Length	3 Prong/72"
Gas Type	Liquid Propane (27.5 mbar)

## Hook Up Requirements



## Hood Install Guides

