

FREESTANDING ELECTRIC RANGE OWNER'S MANUAL

MANUEL D'UTILISATION DE LA CUISINIÈRE ÉLECTRIQUE AUTOPORTANTE

MANUAL DEL USUARIO DE LA ESTUFA AUTÓNOMA ELÉCTRICA

Table of Contents/Table des matières/Índice

RANGE SAFETY	2	SÉCURITÉ DE LA CUISINIÈRE	19	SEGURIDAD DE LA ESTUFA	39
Range Safety	2	Sécurité de la cuisinière	19	Range Safety	39
RANGE MAINTENANCE AND CARE	4	ENTRETIEN ET RÉPARATION DE LA		MANTENIMIENTO Y CUIDADO DE	
General Cleaning	4	CUISINIÈRE	22	LA ESTUFA	42
Self-Cleaning Cycle (on some		Nettoyage Général	22	Limpieza general	42
models)	5	Programme d'Autonettoyage (sur		Ciclo de Autolimpieza (en algunos	
Steam Clean (on some models)	5	certains modèles)	23	modelos)	43
INSTALLATION INSTRUCTIONS	6	Steam Clean (nettoyage à la vapeur)		Steam Clean (Limpieza con vapor)	
REQUIREMENTS	6	(sur certains modèles)	24	(en algunos modelos)	44
Tools and Parts	6	INSTRUCTIONS D'INSTALLATION	24	INSTRUCCIONES DE	
Location Requirements	6	SPÉCIFICATIONS	24	INSTALLACIÓN	44
Electrical Requirements - U.S.A.		Outils et pièces	24	REQUISITOS	44
Only	7	Exigences d'emplacement	25	Herramientas y piezas	44
Electrical Requirements - Canada		Spécifications électriques – É.-U.		Requisitos de ubicación	45
Only	8	seulement	26	Requisitos eléctricos, en EE. UU.	
INSTALLATION	9	Spécifications électriques – Canada		Únicamente	46
Unpack Range	9	seulement	28	Requisitos eléctricos – Solo en	
Install Anti-Tip Bracket	9	INSTALLATION	28	Canadá	47
Adjust Leveling Legs	10	Déballage de la cuisinière	28	INSTALACIÓN	48
Level Range	11	Installation de la bride		Desembalaje de la estufa	48
Electrical Connection - U.S.A.		antibasculement	29	Instalación del soporte antivuelco	48
Only	11	Réglage des pieds de nivellement	30	Regule las patas niveladoras	49
Verify Anti-Tip Bracket Is Installed		Réglage de l'aplomb de la		Nivelación de la estufa	50
and Engaged	16	cuisinière	30	Conexión eléctrica, en EE. UU.	
Storage Drawer	16	Raccordement électrique – É.-U.		Únicamente	50
Oven Door	17	seulement	31	Verifique que el soporte antivuelco	
Complete Installation	17	Vérifier que la bride antibasculement		esté instalado y enganchado	56
Moving the Range	17	est bien installée et engagée	36	Cajón de almacenamiento	56
		Tiroir de remisage	36	Puerta del horno	56
		Porte du four	37	Finalización de la instalación	56
		Achever l'installation	37	Cómo mover la estufa	57
		Déplacement de la cuisinière	37		

RANGE SAFETY

Your safety and the safety of others are very important.

We have provided many important safety messages in this manual and on your appliance. Always read and obey all safety messages.



This is the safety alert symbol.

This symbol alerts you to potential hazards that can kill or hurt you and others.

All safety messages will follow the safety alert symbol and either the word "DANGER" or "WARNING." These words mean:

▲ DANGER

You can be killed or seriously injured if you don't immediately follow instructions.

▲ WARNING

You can be killed or seriously injured if you don't follow instructions.

All safety messages will tell you what the potential hazard is, tell you how to reduce the chance of injury, and tell you what can happen if the instructions are not followed.

The range will not tip during normal use. However, the range can tip if you apply too much force or weight to the open door without having the anti-tip bracket fastened down properly.

▲ WARNING

Tip Over Hazard

A child or adult can tip the range and be killed.

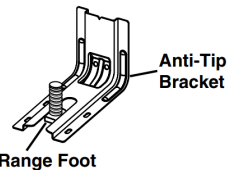
Install anti-tip bracket to floor or wall per installation instructions.

Slide range back so rear range foot is engaged in the slot of the anti-tip bracket.

Re-engage anti-tip bracket if range is moved.

Do not operate range without anti-tip bracket installed and engaged.

Failure to follow these instructions can result in death or serious burns to children and adults.



To verify the anti-tip bracket is properly installed and engaged:

- **Slide range forward.**
- **Look for the anti-tip bracket securely attached to floor or wall.**
- **Slide range back so rear range foot is under the anti-tip bracket.**
- **See Installation Instructions for details.**

IMPORTANT SAFETY INSTRUCTIONS

WARNING: To reduce the risk of fire, electric shock, or injury to persons when using the appliance, follow basic precautions, including the following:

- **WARNING:** TO REDUCE THE RISK OF TIPPING OF THE RANGE, THE RANGE MUST BE SECURED BY PROPERLY INSTALLED ANTI-TIP DEVICES. TO CHECK IF THE DEVICES ARE INSTALLED PROPERLY, SLIDE RANGE FORWARD, LOOK FOR ANTI-TIP BRACKET SECURELY ATTACHED TO FLOOR OR WALL, AND SLIDE RANGE BACK SO REAR RANGE FOOT IS UNDER ANTI-TIP BRACKET.
- **WARNING:** Danger of fire: Do not store items on the cooking surfaces. Never leave anything on the surface when unattended and not in use. Never place flammable or plastic items on or near the surface.
- **CAUTION:** Do not store items of interest to children in cabinets above an appliance or on the backguard of an appliance - children climbing on the appliance to reach items could be seriously injured.
- **Proper Installation -** The appliance, when installed, must be electrically grounded in accordance with local codes, or in the absence of local codes, with the *National Electrical Code, ANSI/NFPA 70* or the *Canadian Electrical Code, CSA C22.1-02*. In Canada, the appliance must be electrically grounded in accordance with Canadian Electrical Code. Be sure your appliance is properly installed and grounded by a qualified technician.

SAVE THESE INSTRUCTIONS

IMPORTANT SAFETY INSTRUCTIONS

- Never Use Your Appliance for Warming or Heating the Room.
 - Do Not Leave Children Alone - Children should not be left alone or unattended in area where appliance is in use. They should never be allowed to sit or stand on any part of the appliance.
 - Wear Proper Apparel – Loose-fitting or hanging garments should never be worn while using the appliance.
 - User Servicing – Do not repair or replace any part of the appliance unless specifically recommended in the manual. All other servicing should be referred to a qualified technician.
 - Storage in or on Appliance – Flammable materials should not be stored in an oven or near surface units.
 - This appliance is not intended for storage.
 - Do Not Use Water on Grease Fires – Smother fire or flame or use dry chemical or foam-type extinguisher.
 - Do not use replacement parts that have not been recommended by the manufacturer (e.g. parts made at home using a 3D printer).
 - Use Only Dry Potholders – Moist or damp potholders on hot surfaces may result in burns from steam. Do not let potholder touch hot heating elements. Do not use a towel or other bulky cloth.
 - DO NOT TOUCH SURFACE UNITS OR AREAS NEAR UNITS – Surface units may be hot even though they are dark in color. Areas near surface units may become hot enough to cause burns. During and after use, do not touch, or let clothing or other flammable materials contact surface units or areas near units until they have had sufficient time to cool. Among these areas are the coil elements, the cooktop, and surfaces facing the cooktop.
 - Use Proper Pan Size – This appliance is equipped with one or more surface units of different size. Select utensils having flat bottoms large enough to cover the surface unit heating element. The use of undersized utensils will expose a portion of the heating element to direct contact and may result in ignition of clothing. Proper relationship of utensil to burner will also improve efficiency.
 - Never Leave Surface Units Unattended at Higher Heat Settings – Cooking oils and animal fats are flammable, boilover may cause smoking, and greasy spillovers may ignite.
 - Make Sure Reflector Pans or Drip Bowls Are in Place – Absence of these pans or bowls during cooking may subject wiring or components underneath to damage.
 - Protective Liners – Do not use aluminum foil to line surface unit drip bowls or oven bottoms, except as suggested in the manual. Improper installation of these liners may result in a risk of electric shock, or fire.
 - Glazed Cooking Utensils – Only certain types of glass, glass/ceramic, ceramic, earthenware, or other glazed utensils are suitable for range-top service without breaking due to the sudden change in temperature.
 - Utensil Handles Should Be Turned Inward and Not Extend Over Adjacent Surface Units – To reduce the risk of burns, ignition of flammable materials, and spillage due to unintentional contact with the utensil, the handle of a utensil should be positioned so that it is turned inward, and does not extend over adjacent surface units.
 - Do Not Soak Removable Heating Elements – Heating elements should never be immersed in water.
 - Do Not Cook on Broken Cook-Top – If cook-top should break, cleaning solutions and spillovers may penetrate the broken cook-top and create a risk of electric shock. Contact a qualified technician immediately.
 - Clean Cooktop With Caution – If a wet sponge or cloth is used to wipe spills on a hot cooking area, be careful to avoid steam burn. Some cleaners can produce noxious fumes if applied to a hot surface.
 - Use Care When Opening Door – Let hot air or steam escape before removing or replacing food.
 - Do Not Heat Unopened Food Containers – Build-up of pressure may cause container to burst and result in injury.
 - Keep Oven Vent Ducts Unobstructed.
 - Placement of Oven Racks – Always place oven racks in desired location while oven is cool. If rack must be moved while oven is hot, do not let potholder contact hot heating element in oven.
 - DO NOT TOUCH HEATING ELEMENTS OR INTERIOR SURFACES OF OVEN – Heating elements may be hot even though they are dark in color. Interior surfaces of an oven become hot enough to cause burns. During and after use, do not touch, or let clothing or other flammable materials contact heating elements or interior surfaces of oven until they have had sufficient time to cool. Other surfaces of the appliance may become hot enough to cause burns – among these surfaces are oven vent openings and surfaces near these openings, oven doors, and windows of oven doors.
 - Care must be taken to prevent aluminum foil and meat probes from contacting heating elements.
- For self-cleaning ranges –**
- **CAUTION: DO NOT LEAVE FOOD OR COOKING UTENSILS, ETC., IN OVEN DURING THE PYROLYTIC SELF-CLEANING MODE OF OPERATION.**
 - Do Not Clean Door Gasket – The door gasket is essential for a good seal. Care should be taken not to rub, damage, or move the gasket.
 - Do Not Use Oven Cleaners – No commercial oven cleaner or oven liner protective coating of any kind should be used in or around any part of the oven.
 - Clean Only Parts Listed in Manual.
 - Before Self-Cleaning the Oven – Remove broiler pan and other utensils.
- For units with ventilating hood –**
- Clean Ventilating Hoods Frequently – Grease should not be allowed to accumulate on hood or filter.
 - When flaming foods under the hood, turn the fan on.
- For smart enabled ranges and ovens**
- Remote operation – This appliance is configurable to allow remote operation at any time. Do not store any flammable materials or temperature sensitive items inside, on top or near surface units of the appliance.

SAVE THESE INSTRUCTIONS

RANGE MAINTENANCE AND CARE

General Cleaning

IMPORTANT: Before cleaning, make sure all controls are off and the oven and cooktop are cool. Always follow label instructions on cleaning products.

Soap, water, and a soft cloth or sponge are suggested first, unless otherwise noted.

EXTERIOR PORCELAIN ENAMEL SURFACES (on some models)

Food spills containing acids, such as vinegar and tomato, should be cleaned as soon as the entire range is cool. These spills may affect the finish.

Cleaning Method:

- Glass cleaner, mild liquid cleaner, or nonabrasive scrubbing pad: Gently clean around the model/serial/rating plate because scrubbing may remove numbers.
- Affresh®† Kitchen and Appliance Cleaner Part Number W10355010 (not included):

See the Quick Start Guide for contact information.

STAINLESS STEEL (on some models)

NOTE: To avoid damage to stainless steel surfaces, do not use soap-filled scouring pads, abrasive cleaners, Cooktop Cleaner, steel-wool pads, gritty washcloths, or abrasive paper towels. Damage may occur to stainless steel surfaces, even with one-time or limited use.

Cleaning Method:

Rub in direction of grain to avoid damaging.

- Affresh® Stainless Steel Cleaner Part Number W10355016 (not included):

See the Quick Start Guide for contact information.

METALLIC PAINT (on some models)

Do not use abrasive cleaners, cleaners with bleach, rust removers, ammonia, or sodium hydroxide (lye) because paint surface may stain.

CERAMIC GLASS COOKTOP CLEANING

Cleaning Method:

IMPORTANT: Cooktop scrapers may damage the coating and potentially diminish cleaning performance.

1. Ensure that the cooktop has cooled to room temperature.
2. Cover food/residue with water for a minimum of 5 minutes. Ensure coverage over the entire affected area.
3. Wipe with a non-abrasive sponge.

NOTE: If water dries or food/residue persists on the cooking surface, repeat Steps 2 and 3.

COOKTOP CONTROLS

To avoid damage to the cooktop controls, do not use steel wool, abrasive cleansers, or oven cleaner.

To avoid damage, do not soak knobs. When replacing knobs, make sure knobs are in the Off position.

On some models, do not remove seals under knobs.

Cleaning Method:

- Soap and water: Pull knobs straight away from control panel to remove.

CONTROL PANEL AND OVEN DOOR EXTERIOR

To avoid damage to the control panel, do not use abrasive cleaners, steel-wool pads, gritty washcloths, or abrasive paper towels.

Cleaning Method:

- Glass cleaner and soft cloth or sponge: Apply glass cleaner to soft cloth or sponge, not directly on panel.
- Affresh® Kitchen and Appliance Cleaner Part Number W10355010 (not included):

See the Quick Start Guide for contact information.

COIL ELEMENTS (on some models)

Cleaning Method:

- Damp cloth: Make sure control knobs are OFF and elements are cool.

Do not clean or immerse in water. Soil will burn off when hot.

BURNER BOWLS (on some models)

Before removing or replacing coil elements and burner bowls, make sure they are cool and the control knobs are in the OFF position.

Remove the coil element by pushing the edge of the coil element toward the receptacle. Lift it enough to clear the burner bowl. Pull the coil element straight away from the receptacle to remove. Lift out the burner bowl.

Cleaning Method:

Chrome burner bowls

Wash frequently in warm, soapy water. (It is not recommended to wash chrome bowls in a dishwasher.) A mild abrasive cleaner and a plastic scrubber can be used to remove stubborn stains.

For heavily soiled bowls, place an ammonia-soaked paper towel on the stains and allow to soak for a short time, then gently scrub with a plastic scrubber.

SURFACE UNDER COOKTOP (on some models)

The coil cooktop will lift up to provide easy access for cleaning beneath. Lift the cooktop by both front corners until the support locks into place.

Cleaning Method:

- Glass cleaner, mild liquid cleaner or nonabrasive scrubbing pad.
- Affresh® Kitchen and Appliance Cleaner Part Number W10355010 (not included):

See the Quick Start Guide for contact information.

To avoid damage to the range, do not remove the cooktop.

OVEN RACKS

Cleaning Method:

- Steel-wool pad
- For racks that have discolored and are harder to slide, a light coating of vegetable oil applied to the rack guides will help them slide.
- Dishwasher (steam rack water reservoir only, not racks): Although the water reservoir is durable, it may lose its shine and/or discolor when washed in a dishwasher.

STORAGE DRAWER

Check that storage drawer is cool and empty before cleaning.

Cleaning Method:

- Mild detergent

OVEN CAVITY

Depending on your model, use Steam Clean or Self-Clean cycle regularly to clean oven spills.

Do not use oven cleaners.

Food spills should be cleaned when oven cools. At high temperatures, foods react with porcelain. Staining, etching, pitting, or faint white spots can result.


†affresh® is a registered trademark of Whirlpool, U.S.A.

Cleaning Method:

- Clean cycle: See the “Self-Cleaning Cycle” or “Steam Clean Cycle” section.

Self-Cleaning Cycle (on some models)

⚠ WARNING



Burn Hazard

Do not touch the oven during the Self-Cleaning cycle.

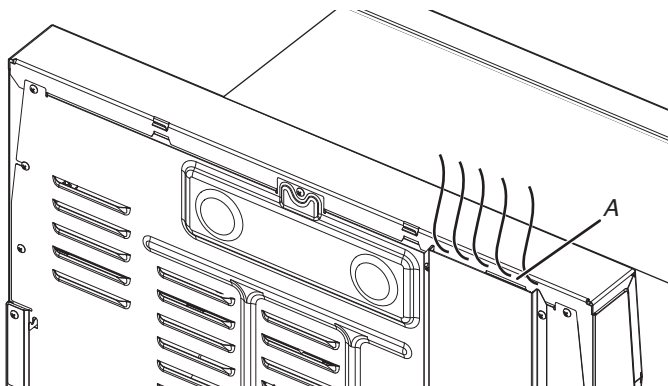
Keep children away from the oven during Self-Cleaning cycle.

Failure to follow these instructions can result in burns.

IMPORTANT: The health of some birds is extremely sensitive to the fumes given off during the Self-Cleaning cycle. Exposure to the fumes may result in death to certain birds. Always move birds to another closed and well-ventilated room.

Keep the kitchen well-ventilated during the Self-Cleaning cycle to help get rid of heat, odors, and smoke.

Do not block the oven vent(s) during the Self-Cleaning cycle. Air must be able to move freely. Depending on your model, see “Oven Vent” or “Oven Vents” section in your Quick Start Guide.



A. Oven vent

Do not clean, rub, damage, or move the oven door gasket.

Prepare Range:

- Remove the broiler pan, grid, cookware and bakeware, all cooking utensils, oven racks, aluminum foil, and, on some models, the temperature probe from the oven.
- Use a damp cloth to clean inside door edge and the 1½” (3.8 cm) area around the inside oven cavity frame, being certain not to move or bend the gasket.
- Wipe out any loose soil to reduce smoke and avoid damage. At high temperatures, foods react with porcelain. Staining, etching, pitting, or faint white spots can result. This will not affect cooking performance.
- Remove plastic items from the cooktop because they may melt.
- Remove all items from the storage drawer.

How the Cycle Works

IMPORTANT: The heating and cooling of porcelain on steel in the oven may result in discoloring, loss of gloss, hairline cracks, and popping sounds.

The Self-Cleaning cycle uses very high temperatures, burning soil to a powdery ash.

Once the oven has completely cooled, remove ash with a damp cloth. To avoid breaking the glass, do not apply a cool damp cloth to the inner door glass before it has completely cooled.

To stop the Self-Cleaning cycle at any time, press CANCEL or OFF/CANCEL. If the temperature is too high, the oven door will remain locked and “cool” and “locked” or “🔒” will be displayed.

When “🔒” shows in the display, the door of the oven cannot be opened. To avoid damage to the door, do not force the door open when “🔒” is displayed.

Before self-cleaning, make sure the door is completely closed or the door will not lock and the Self-Cleaning cycle will not begin.

Once the cleaning temperature has been reached, the electronic control requires a 12 hour delay before another Self-Cleaning cycle can be started.

The oven light will not function during the Self-Cleaning cycle.

Electronic Oven Control with Adjustable Clean Time (on some models)

The Self-Cleaning cycle is time adjustable between 2 hours 30 minutes and 5 hours in 30-minute increments. Suggested clean times are 2 hours 30 minutes for light soil, 5 hours for heavy soil. The last 30 minutes of the cycle is for cooldown.

IMPORTANT: When cooktop is in use, the Self-Cleaning cycle will be disabled. When the Self-Cleaning cycle is in use, the cooktop will be locked.

To Self-Clean:

1. Press CLEAN or SELF CLEAN.
2. Press the Temp/Time “+” or “-”, or “up” or “down” keypad to enter the desired Self-Cleaning cycle time.
3. Press START.

The oven door will automatically lock. The Door Locked and Clean indicator lights will be displayed. The time remaining will also be displayed.

4. When the Self-Cleaning cycle is complete and the oven cools, the Door Locked and Clean indicator lights will turn off.
5. When the oven is completely cooled, remove ash with a damp cloth.

To exit the Self-Cleaning cycle before completed, press CANCEL or OFF/CANCEL. The door will unlock once the oven cools.

Steam Clean (on some models)

IMPORTANT: Do not use oven cleaners or any other additives with Steam Clean.

The Steam Clean feature is designed for light oven cavity bottom cleaning. Use the Steam Clean feature as soon as possible after spills occur. The longer a spill sits and dries in the oven, the more difficult it may be to remove.

Allow the range to cool to room temperature before using the Steam Clean feature. If your oven cavity is above 170°F (77°C), "HOT" will appear in the display and the Steam Clean feature will not activate until it cools down.

- Remove all racks and accessories from the oven cavity.
- For best results, pour 12 oz (355 mL) of distilled or filtered water onto the oven bottom.
- The Steam Clean feature will take a total of 50 minutes. "End" will appear in the display at the end of the cycle.

IMPORTANT: Since the water in the oven bottom is hot, do not open the oven door during the Steam Clean cycle.

Press the Cancel keypad at any time to end the cycle. The display will return to the time of day.

Helpful Hints

- Once the Steam Clean cycle is complete, remove all remaining water and debris in the bottom of the oven with a sponge or cloth.
- Wipe any remaining moisture from the oven door interior, oven cavity interior sides, and cooktop.
- Use a soft brush or nylon scrubber to wipe the oven interior. This may help with more stubborn stains.
- If any soil remains, run a second Steam Clean cycle to help loosen debris for easier removal.
- Use the Steam Clean on small spills such as cheese or sauce from pizza or snacks, or drips from casseroles.
- Food spills containing sugar, proteins or starches may require vigorous scrubbing to remove most of the debris.
- It is recommended to use distilled or filtered water, as tap water may leave mineral deposits on the oven bottom. Use a cloth soaked with vinegar or lemon juice to remove any mineral deposits that may be left after the Steam Clean cycle.

INSTALLATION INSTRUCTIONS REQUIREMENTS

Tools and Parts

Gather the required tools and parts before starting installation. Read and follow the instructions provided with any tools listed here.

Tools needed

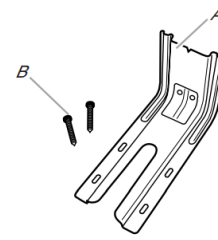
- Tape measure
- Flat-blade screwdriver
- Phillips screwdriver
- Level
- Hammer
- Hand or electric drill
- Wrench or pliers
- Marker or pencil
- Flashlight
- Torque Wrench
- Masking tape
- 1/4" (6.4 mm) drive ratchet
- 1/4" (6.4 mm) nut driver
- 3/8" (9.5 mm) and 5/16" (8 mm) nut driver
- 1/8" (3.2 mm) drill bit (for wood floors)
- Tin snips or large wire cutters (for cutting ground-link strap if necessary)

Parts supplied

Check that all parts are included.

- 3 - 10-32 hex nuts (attached to terminal block)

- 3 - Terminal lugs



A. Anti-tip bracket
B. #12 x 1 5/8" (41 mm) screws (2)

- Anti-tip bracket must be securely mounted to floor or wall. Thickness of flooring may require longer screws to anchor bracket to floor.

Parts needed

If using a power supply cord kit:

- A UL listed power supply cord kit marked for use with ranges. The cord should be rated at 250 V minimum, 40 A or 50 A that is marked for use with nominal 1 3/8" (3.5 cm) diameter connection opening and must end in ring terminals or open-end spade terminals with upturned ends.
- A UL listed strain relief.

Check local codes. Check existing electrical supply. See the appropriate "Electrical Requirements" section.

It is recommended that all electrical connections be made by a licensed, qualified electrical installer.

NOTE: Be sure to purchase only Whirlpool factory-certified parts and accessories for your appliance. Your installation may require additional parts. To order, refer to the contact information referenced in your Quick Start Guide.

Location Requirements

IMPORTANT: Observe all governing codes and ordinances.

- To eliminate the risk of burns or fire by reaching over heated surface units, cabinet storage space located above the surface units should be avoided. If cabinet storage is to be provided, the risk can be reduced by installing a range hood that projects horizontally a minimum of 5 inches beyond the bottom of the cabinets.
- It is the installer's responsibility to comply with installation clearances specified on the model/serial/rating plate. The model/serial/rating plate is located on the frame behind a top corner of the door or either side of the drawer.
- The range should be located for convenient use in the kitchen.
- Recessed installations must provide complete enclosure of the sides and rear of the range.
- All openings in the wall or floor where range is to be installed must be sealed.
- Cabinet opening dimensions that are shown must be used. Given dimensions are minimum clearances.
- The anti-tip bracket must be installed. To install the anti-tip bracket shipped with the range, see the "Install Anti-Tip Bracket" section.
- Grounded electrical supply is required. See the appropriate "Electrical Requirements" section.
- Contact a qualified floor covering installer to check that the floor covering can withstand at least 200°F (93°C).
- Use an insulated pad or 1/4" (0.64 cm) plywood under range if installing range over carpeting.

IMPORTANT: To avoid damage to your cabinets, check with your builder or cabinet supplier to make sure that the materials used will not discolor, delaminate or sustain other damage. This oven has been designed in accordance with the requirements of UL and CSA International and complies with the maximum allowable wood cabinet temperatures of 194°F (90°C).

Mobile Home - Additional Installation Requirements

The installation of this range must conform to the Manufactured Home Construction and Safety Standard, Title 24 CFR, Part 3280 (formerly the Federal Standard for Mobile Home Construction and Safety, Title 24, HUD Part 280). When such standard is not applicable, use the Standard for Manufactured Home Installations, ANSI A225.1/NFPA 501A or with local codes.

In Canada, the installation of this range must conform with the current standards CAN/CSA-Z240.1-latest edition, or with local codes.

Mobile home installations require:

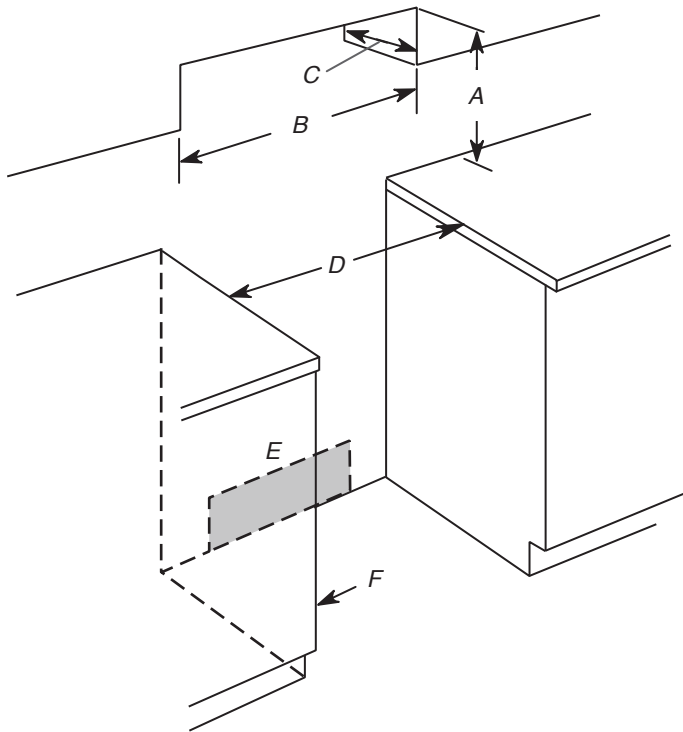
- When this range is installed in a mobile home, it must be secured to the floor during transit. Any method of securing the range is adequate as long as it conforms to the standards listed above.
- Four-wire power supply cord or cable must be used in a mobile home installation. The appliance wiring will need to be revised. See "Electrical Connection - U.S.A. Only" section.

Cabinet Dimensions

Cabinet opening dimensions shown are for 25" (64.0 cm) countertop depth, 24" (61.0 cm) base cabinet depth and 36" (91.4 cm) countertop height.

IMPORTANT: If installing a range hood or microwave hood combination above the range, follow the range hood or microwave hood combination installation instructions for dimensional clearances above the cooktop surface.

A freestanding range may be installed next to combustible walls with zero clearance.



- A. For minimum clearance to top of cooktop, see NOTE*.
- B. 30" (76.2 cm) minimum opening width
- C. 13" (33.0 cm) maximum upper cabinet depth
- D. 30" (76.2 cm) minimum opening width
- E. Outlet - 8" (20.3 cm) to 22" (55.9 cm) from either cabinet, 7" (17.8 cm) maximum from floor.
- F. Cabinet door or hinges should not extend into the cutout.

*NOTE: 24" (61.0 cm) minimum when bottom of wood or metal cabinet is covered by not less than 1/4" (0.64 cm) flame retardant millboard covered with not less than No. 28 MSG sheet steel, 0.015" (0.4 mm) stainless steel, 0.024" (0.6 mm) aluminum or 0.020" (0.5 mm) copper.

30" (76.2 cm) minimum clearance between the top of the cooking platform and the bottom of an uncovered wood or metal cabinet.

Electrical Requirements - U.S.A. Only

⚠ WARNING



Electrical Shock Hazard

Electrically ground appliance.

Failure to do so could result in death, fire, or electrical shock.

If codes permit and a separate ground wire is used, it is recommended that a qualified electrical installer determine that the ground path and wire gauge are in accordance with local codes.

Do not use an extension cord.

Be sure that the electrical connection and wire size are adequate and in conformance with the National Electrical Code, ANSI/NFPA 70-latest edition and all local codes and ordinances.

A copy of the above code standards can be obtained from:

National Fire Protection Association
1 Batterymarch Park
Quincy, MA 02169-7471

WARNING: Improper connection of the equipment-grounding conductor can result in a risk of electric shock. Check with a qualified electrician or service technician if you are in doubt as to whether the appliance is properly grounded. Do not modify the power supply cord plug. If it will not fit the outlet, have a proper outlet installed by a qualified electrician.

Electrical Connection

To properly install your range, you must determine the type of electrical connection you will be using and follow the instructions provided for it here.

- Range must be connected to the proper electrical voltage and frequency as specified on the model/serial/rating plate. The model/serial/rating plate is located on the frame behind a top corner of the door or either side of the drawer.



A. The model/serial/rating plate is located on the frame behind a top corner of the door or either side of the drawer.

- This range is manufactured with the neutral terminal connected to the cabinet. Use a 3-wire, UL listed, 40 A or 50 A power supply cord (pigtail). See the following Range Rating chart. If local codes do not permit ground through the neutral, use a 4-wire power supply cord rated at 250 V, 40 A or 50 A and investigated for use with ranges.

Range Rating*		Specified Rating of Power Supply Cord Kit and Circuit Protection
120/240 V	120/208 V	Ampere
8.8-16.5 kW	7.8-12.5 kW	40 or 50**
16.6-22.5 kW	12.6-18.5 kW	50

*The NEC calculated load is less than the total connected load listed on the model/serial/rating plate.

**If connecting to a 50 A circuit, use a 50 A rated cord with kit. For 50 A rated cord kits, use kits that specify use with a nominal 1³/₈" (34.9 mm) diameter connection opening.

- A circuit breaker is recommended.
- The range can be connected directly to the circuit breaker box (or fused disconnect) through flexible or nonmetallic sheathed, copper or aluminum cable. See the "Electrical Connection - U.S.A. Only" section.
- Allow 2 to 3 ft (61.0 cm to 91.4 cm) of slack in the line so that the range can be moved if servicing is ever necessary.
- A UL listed conduit connector must be provided at each end of the power supply cable (at the range and at the junction box).
- Wire sizes and connections must conform with the rating of the range.
- The Tech Sheet is located on the back of the range inside a clear plastic bag.

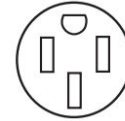
If connecting to a 4-wire system:

This range is manufactured with the ground connected to the neutral by a link. The ground must be revised so the green ground wire of the 4-wire power supply cord is connected to the cabinet. See the "Electrical Connection - U.S.A. Only" section.

Grounding through the neutral conductor is prohibited for new branch-circuit installations (1996 NEC); mobile homes; and recreational vehicles, or an area where local codes prohibit grounding through the neutral conductor.

When a 4-wire receptacle of NEMA Type 14-50R is used, a matching UL listed, 4-wire, 250 V, 40 or 50 A, range power supply cord (pigtail) must be used. This cord contains 4 copper conductors with ring terminals or open-end spade terminals with upturned ends, terminating in a NEMA Type 14-50P plug on the supply end.

The fourth (grounding) conductor must be identified by a green or green/yellow cover and the neutral conductor by a white cover. Cord should be Type SRD or SRDT with a UL listed strain relief and be at least 4 ft (1.22 m) long.



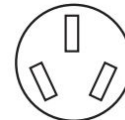
4-wire receptacle (14-50R)

The minimum conductor sized for the copper 4-wire power cord are:

- 40 A circuit
- 2 No.-8 conductors
- 1 No.-10 white neutral
- 1 No.-8 green grounding

If connecting to a 3-wire system:

Local codes may permit the use of a UL listed, 3-wire, 250 V, 40 A or 50 A range power supply cord (pigtail). This cord contains 3 copper conductors with ring terminals or open-end spade terminals with upturned ends, terminating in a NEMA Type 10-50P plug on the supply end. Connectors on the appliance end must be provided at the point the power supply cord enters the appliance. This uses a 3-wire receptacle of NEMA Type 10-50R.



3-wire receptacle (10-50R)

Electrical Requirements - Canada Only

⚠ WARNING



Electrical Shock Hazard

Electrically ground appliance.

Failure to do so could result in death, fire, or electrical shock.

If codes permit and a separate ground wire is used, it is recommended that a qualified electrical installer determine that the ground path is adequate and wire gauge are in accordance with local codes.

Be sure that the electrical connection and wire size are adequate and in conformance with CSA Standard C22.1, Canadian Electrical Code, Part 1 - latest edition, and all local codes and ordinances.

A copy of the above code standards can be obtained from:
 Canadian Standards Association
 178 Rexdale Blvd.
 Toronto, ON M9W 1R3 CANADA

- Check with a qualified electrical installer if you are not sure the range is properly grounded.

Range Rating*		Specified Rating of Power Supply Cord Kit and Circuit Protection
120/240 V	120/208 V	Amps
8.8-16.5 kW	7.8-12.5 kW	40 or 50**
16.6-22.5 kW	12.6-18.5 kW	50

*The NEC calculated load is less than the total connected load listed on the model/serial/rating plate.

**If connecting to a 50 A circuit, use a 50 A rated cord with kit. For 50 A rated cord kits, use kits that specify use with a nominal 1 3/8" (34.9 mm) diameter connection opening.

- A time-delay fuse or circuit breaker is recommended.
- This range is equipped with a CSA International Certified Power Cord intended to be plugged into a standard 14-50R wall receptacle. Be sure the wall receptacle is within reach of range's final location.



- Do not use an extension cord.

INSTALLATION

Unpack Range

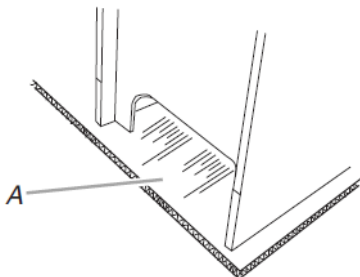
⚠ WARNING

Excessive Weight Hazard

Use two or more people to move and install or uninstall appliance.

Failure to do so can result in back or other injury.

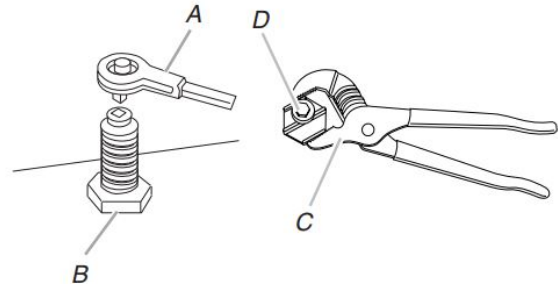
- Remove shipping materials, tape and film from range.
- Remove oven racks and parts package from inside oven.
- Do not remove the shipping base at this time.



A. Shipping base

4. On Ranges Equipped with a Storage Drawer:

Remove the storage drawer. See the "Storage Drawer" section. Use a 1/4" (6.4 mm) drive ratchet to lower the rear leveling legs one-half turn. Use a wrench or pliers to lower front leveling legs one half turn.



A. 1/4" (6.4 mm) drive ratchet
 B. Rear leveling leg
 C. Wrench or pliers
 D. Front leveling leg

Install Anti-Tip Bracket

⚠ WARNING



Tip Over Hazard

A child or adult can tip the range and be killed.

Install anti-tip bracket to floor or wall per installation instructions.

Slide range back so rear range foot is engaged in the slot of the anti-tip bracket.

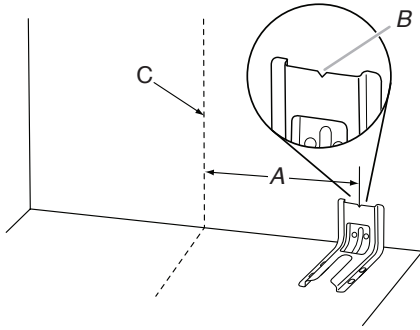
Re-engage anti-tip bracket if range is moved.

Do not operate range without anti-tip bracket installed and engaged.

Failure to follow these instructions can result in death or serious burns to children and adults.

- Remove the anti-tip bracket from where it is taped inside the storage drawer.
- Determine which mounting method to use: floor or wall.
 If you have a stone or masonry floor, you can use the wall mounting method. If you are installing the range in a mobile home, you must secure the range to the floor.

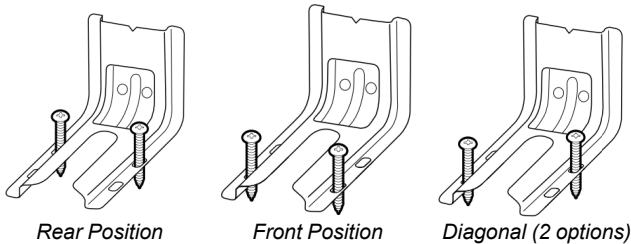
- Determine and mark centerline of the cutout space. The mounting can be installed on either the left-side or right-side of the cutout. Position mounting bracket against the wall in the cutout so that the V-notch of the bracket is $12\frac{9}{16}$ " (31.9 cm) from centerline as shown.



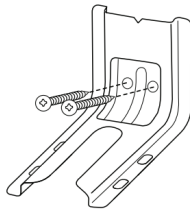
- A. $12\frac{9}{16}$ " (31.9 cm)
- B. Bracket V-notch
- C. Centerline

- Drill two $\frac{1}{8}$ " (3 mm) holes that correspond to the bracket holes of the determined mounting method. See the following illustrations.

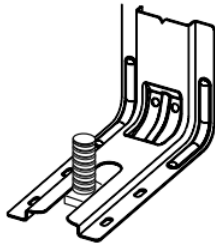
Floor Mounting



Wall Mounting



- Using the Phillips screwdriver, mount anti-tip bracket to the wall or floor with the two #12 x $1\frac{5}{8}$ " (41.3 mm) screws provided.
- Move range close enough to opening to allow for final electrical connections. Remove shipping base, cardboard or hardboard from under range.
- Move range into its final location, making sure rear leveling leg slides into anti-tip bracket.



- Move range forward onto shipping base, cardboard or hardboard to continue installing the range using the following installation instructions.

Adjust Leveling Legs

- If range height adjustment is necessary, use a wrench or pliers to loosen the four leveling legs.

This may be done with the range on its back or with the range supported on two legs after the range has been placed back to a standing position.

NOTE: To place range back up into a standing position, put a sheet of cardboard or hardboard in front of range. Using two or more people, stand range back up onto the cardboard or hardboard.

⚠ WARNING



Tip Over Hazard

A child or adult can tip the range and be killed.

Install anti-tip bracket to floor or wall per installation instructions.

Slide range back so rear range foot is engaged in the slot of the anti-tip bracket.

Re-engage anti-tip bracket if range is moved.

Do not operate range without anti-tip bracket installed and engaged.

Failure to follow these instructions can result in death or serious burns to children and adults.

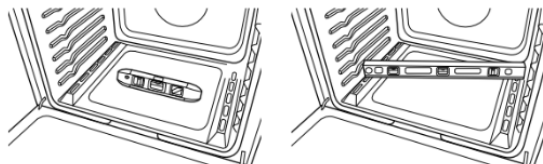
- Measure the distance from the top of the counter to the floor.
 - Measure the distance from the top of the cooktop to the bottom of the leveling legs. This distance should be the same. If it is not, adjust the leveling legs to the correct height. The leveling legs can be loosened to add up to a maximum of 1" (2.5 cm). A minimum of $\frac{3}{16}$ " (5 mm) is needed to engage the anti-tip bracket.
- NOTE:** If height adjustment is made when range is standing, tilt the range back to adjust the front legs, and then tilt forward to adjust the rear legs.
- When the range is at the correct height, check that there is adequate clearance under the range for the anti-tip bracket. Before sliding range into its final location, check that the anti-tip bracket will slide under the range and onto the rear leveling leg prior to anti-tip bracket installation.
- NOTE:** If a Trim Kit will be used, the top of the cooktop should be higher than the counter. See the Installation Instructions included with the Trim Kit for the correct height.

Level Range

Determine if you have Steam Clean by referring to the "Range Maintenance and Care" section.

For Ranges with Steam Clean:

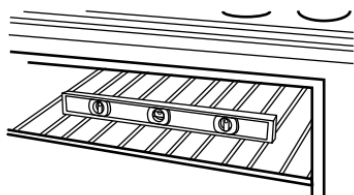
1. Place level on the oven bottom as indicated in one of the two figures below depending on the size of the level. Check with the level: side to side and front to back.



2. If range is not level, pull range forward until rear leveling leg is removed from the anti-tip bracket.
3. Follow the directions in Step 1.

For Ranges without Steam Clean:

1. Place a standard flat rack in oven.
2. Place level on the rack and check levelness of the range, first side to side; then front to back.



3. If range is not level, pull range forward until rear leveling leg is removed from the anti-tip bracket.
4. Follow the directions in Step 1.

Style 1: Ranges Equipped with a Storage Drawer:

Use a 1/4" drive ratchet, wrench or pliers to adjust leveling legs up or down until the range is level. Push range back into position. Check that rear leveling leg is engaged in the anti-tip bracket.

Electrical Connection - U.S.A. Only

Power Supply Cord

⚠ WARNING



Electrical Shock Hazard

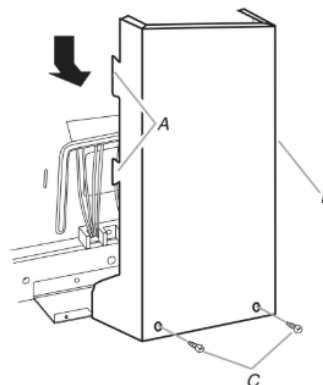
Disconnect power before servicing.

Use a new 40 A power supply cord.

Plug into a grounded outlet.

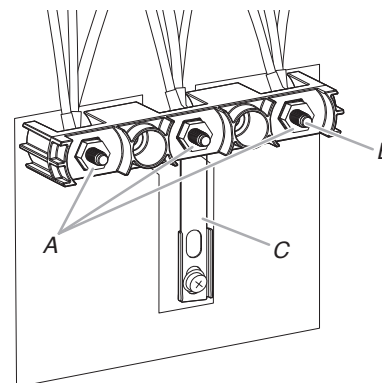
Failure to follow these instructions can result in death, fire, or electrical shock.

1. Disconnect power.
2. Remove the terminal block cover screws located on the back of the range. Pull cover down and toward you to remove cover from range.



- A. Two mounting tabs each side
- B. Terminal block cover
- C. Hex-head screws

3. Remove the three 10-32 hex nuts from the terminal posts.

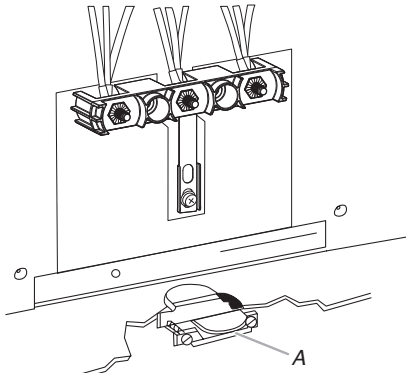


- A. 10-32 hex nuts
- B. Terminal Posts
- C. Ground Strap

4. Add strain relief.

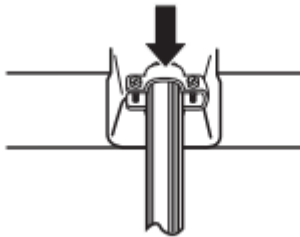
Style 1: Power supply cord strain relief

- Remove the knockout for the power supply cord.
- Assemble a UL listed strain relief in the opening.



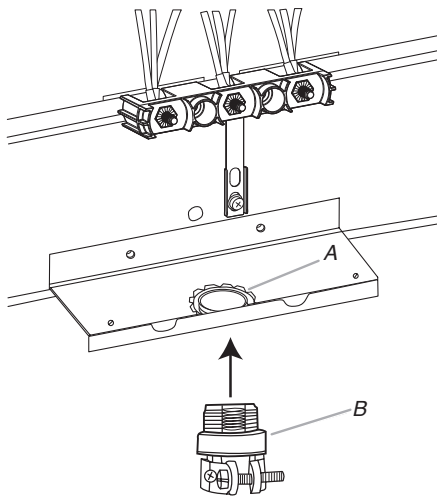
A. UL listed strain relief

- Tighten strain relief screw against the power supply cord.



Style 2: Direct wire strain relief

- Remove the knockout as needed for the flexible conduit connection.
- Assemble a UL listed conduit connector in the opening.



A. Removable retaining nut
B. Conduit

- Tighten strain relief screw against the flexible conduit.



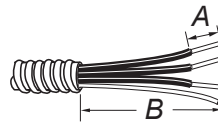
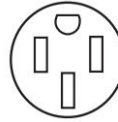
5. Complete installation following instructions for your type of electrical connection:

4-wire (recommended)

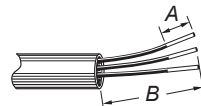
3-wire (if 4-wire is not available)

Electrical Connection Options

If your home has:	And you will be connecting to:	Go to Section:
4-wire receptacle (NEMA type 14-50R)	A UL Listed, 250 V minimum, 40 A, range power supply cord	4-wire connection: Power supply cord
4-wire direct	A circuit breaker box or fused disconnect	4-wire connection: Direct wire
3-wire receptacle (NEMA type 10-50R)	A UL Listed, 250 V minimum, 40 A, range power supply cord	3-wire connection: Power supply cord
3-wire direct	A circuit breaker box or fused disconnect	3-wire connection: Direct wire



A. 3/8" (1 cm)
B. 5" (12 cm)



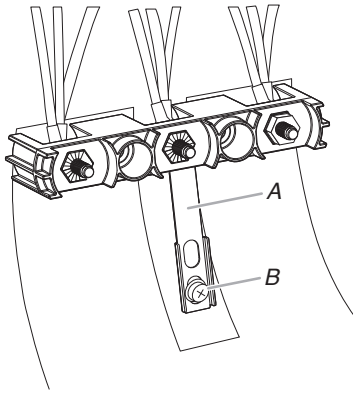
A. 3/8" (1 cm)
B. 3" (7.6 cm)

4-Wire Connection: Power Supply Cord

Use this method for:

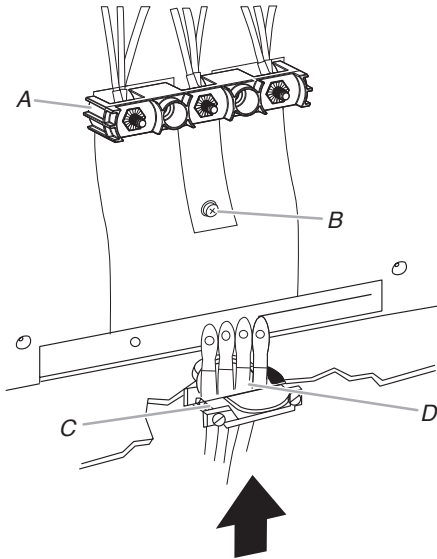
- New branch-circuit installations (1996 NEC)
- Mobile homes
- Recreational vehicles
- In an area where local codes prohibit grounding through the neutral.

- Part of metal ground strap must be cut out and removed.



A. Metal ground strap
B. Ground-link screw

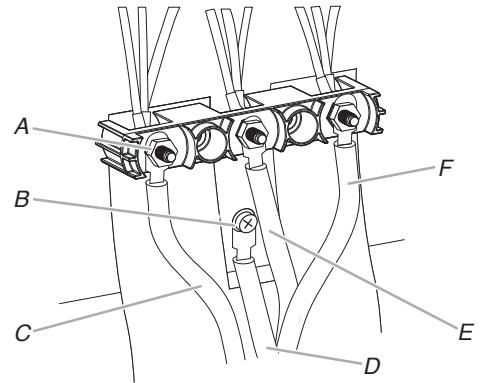
- Use a Phillips screwdriver to remove the ground-link screw from the back of the range. Save the ground-link screw and the end of the ground link under the screw.
- Feed the power supply cord through the strain relief on the cord/conduit plate on bottom of range. Allow enough slack to easily attach the wiring to the terminal block.



A. Terminal block
B. Ground-link screw
C. UL listed strain relief
D. Power supply cord wires

- Use Phillips screwdriver to connect the green ground wire from the power supply cord to the range with the ground-link screw. The ground wire must be attached first.

- Use 3/8" (9.5 mm) nut driver to connect the neutral (white) wire to the center terminal block post with one of the 10-32 hex nuts.



A. 10-32 hex nut
B. Ground-link screw
C. Line 2 (red)
D. Green ground wire
E. Neutral (center) wire
F. Line 1 (black)

- Connect line 2 (red) and line 1 (black) wires to the outer terminal block posts with 10-32 hex nuts.
- Using a torque wrench, tighten the hex nuts to a recommended torque of 20 in-lbs (2.3 N-m).

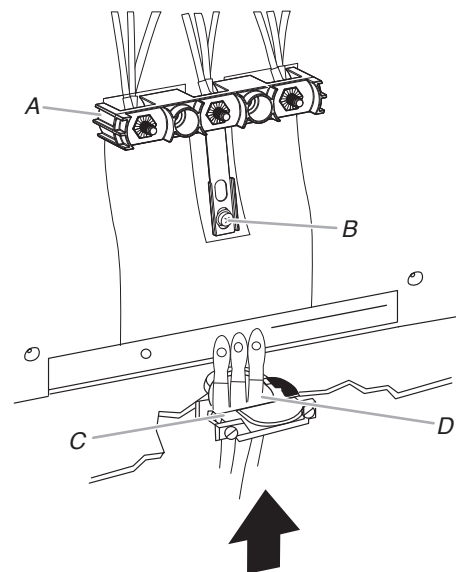
NOTE: For power supply cord replacement, use only a power cord rated at 250 V minimum, 40 A or 50 A that is marked for use with nominal 1 3/8" (3.5 cm) diameter connection opening, with ring terminals and marked for use with ranges.

- Tighten strain relief screws.
- IMPORTANT:** Verify the tightness of the hex nuts.
- Replace terminal block access cover.

3-Wire Connection: Power Supply Cord

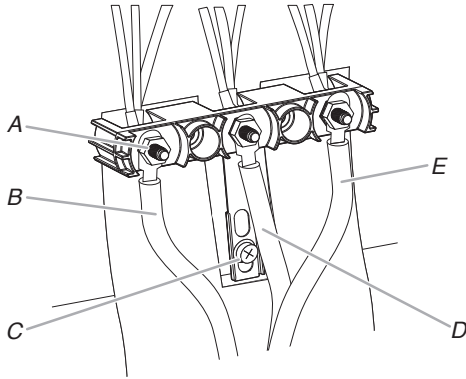
Use this method only if local codes permit connecting chassis ground conductor to neutral wire of power supply cord.

- Feed the power supply cord through the strain relief in the cord/conduit plate on bottom of range. Allow enough slack to easily attach the wiring to the terminal block.



A. Terminal block
B. Ground-link screw
C. UL listed strain relief
D. Power supply cord wires-large opening

- Use 3/8" (9.5 mm) nut driver to connect the neutral (white) wire to the center terminal block post with one of the 10-32 hex nuts.



- | | |
|----------------------|-------------------------|
| A. 10-32 hex nut | D. Neutral (white) wire |
| B. Line 2 (red) | E. Line 1 (black) |
| C. Ground-link screw | |

- Connect line 2 (red) and line 1 (black) wires to the outer terminal block posts with 10-32 hex nuts.
- Using a torque wrench, tighten the hex nuts to a recommended torque of 20 in-lbs (2.3 N-m).
NOTE: For power supply cord replacement, only use a power cord rated at 250 V minimum, 40 A or 50 A that is marked for use with nominal 1³/₈" (3.5 cm) diameter connection opening, with ring terminals and marked for use with ranges.
- Tighten strain relief screws.
IMPORTANT: Verify the tightness of the hex nuts.
- Replace terminal block access cover.

Direct Wire

⚠WARNING



Electrical Shock Hazard

Disconnect power before servicing.

Use 8 gauge copper or 6 gauge aluminum wire.

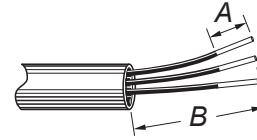
Electrically ground range.

Failure to follow these instructions can result in death, fire, or electrical shock.

Direct Wire Installation: Copper or Aluminum Wire

This range may be connected directly to the fuse disconnect or circuit breaker box. Depending on your electrical supply, make the required 3-wire or 4-wire connection.

- Strip outer covering back 3" (7.6 cm) to expose wires. Strip the insulation back 1" (2.5 cm) from the end of each wire.



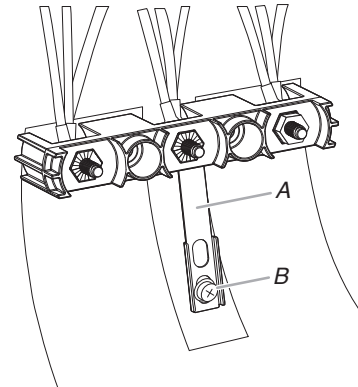
- | |
|----------------|
| A. 3/8" (1 cm) |
| B. 3" (7.6 cm) |

- Allow enough slack in the wire to easily attach the wiring terminal block.
- Complete electrical connection according to your type of electrical supply.
4-wire (recommended)
3-wire (if 4-wire is not available)

4-Wire Connection: Direct Wire

Use this method for:

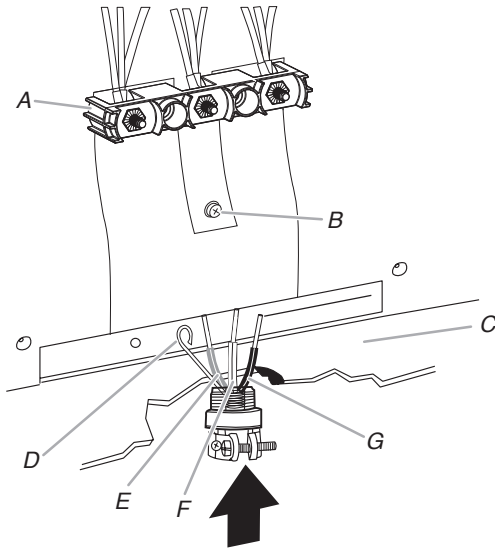
- New branch-circuit installations (1996 NEC)
 - Mobile homes
 - Recreational vehicles
 - In an area where local codes prohibit grounding through the neutral.
- Part of metal ground strap must be cut out and removed.



- | |
|-----------------------|
| A. Metal ground strap |
| B. Ground-link screw |

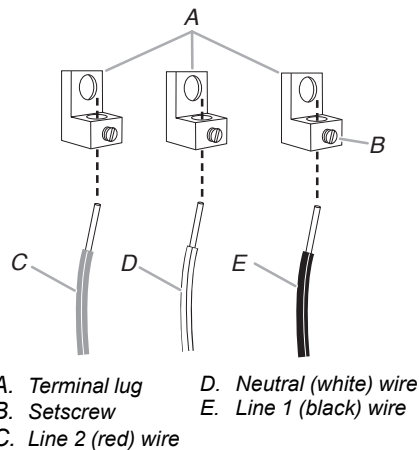
- Use a Phillips screwdriver to remove the ground-link screw from the back of the range. Save the ground-link screw and the end of the ground link under the screw.

3. Pull the wires through the strain relief on bottom of range. Allow enough slack to easily attach wiring to the terminal block.



- A. Terminal block
- B. Ground-link screw
- C. Cord/conduit plate
- D. Bare (green) ground wire
- E. Line 2 (red) wire
- F. Neutral (white) wire
- G. Line 1 (black) wire

4. Attach terminal lugs to line 1 (black), neutral (white), and line 2 (red) wires. Loosen (do not remove) the setscrew on the front of the terminal lug and insert exposed wire end through bottom of terminal lugs. Securely tighten setscrew to torque as shown in the following Bare Wire Torque Specifications chart.



- A. Terminal lug
- B. Setscrew
- C. Line 2 (red) wire
- D. Neutral (white) wire
- E. Line 1 (black) wire

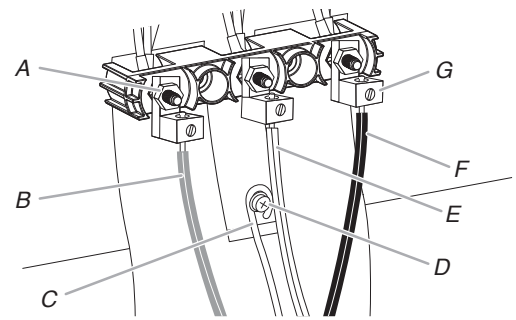
Bare Wire Torque Specifications

Attaching terminal lugs to the terminal block - 20 lbs-in (2.3 N-m).

Wire Awg	Torque
8 gauge copper	25 lbs-in (2.8 N-m)
6 gauge aluminum	35 lbs-in (4.0 N-m)

5. Use a hex or Phillips screwdriver to connect the bare (green) ground wire to the range with the ground-link screw and ground-link section. The ground wire must be attached first and must not contact any other terminal.

6. Use 3/8" nut driver to connect the neutral (white) wire to the center terminal block post with one of the 10–32 hex nuts.



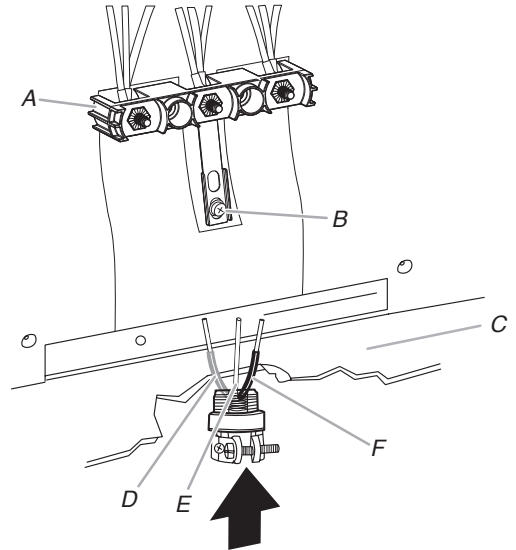
- A. 10–32 hex nut
- B. Line 2 (red)
- C. Bare (green) ground wire
- D. Ground-link screw
- E. Neutral (white) wire
- F. Line 1 (black)
- G. Terminal lug

7. Connect line 2 (red) and line 1 (black) wires to the outer terminal block posts with 10-32 hex nuts.
8. Using a torque wrench, tighten the hex nuts to a recommended torque of 20 in-lbs (2.3 N-m).
9. Securely tighten hex nuts. **IMPORTANT:** Verify the tightness of the hex nuts.
10. Replace terminal block access cover.

3-Wire Connection: Direct Wire

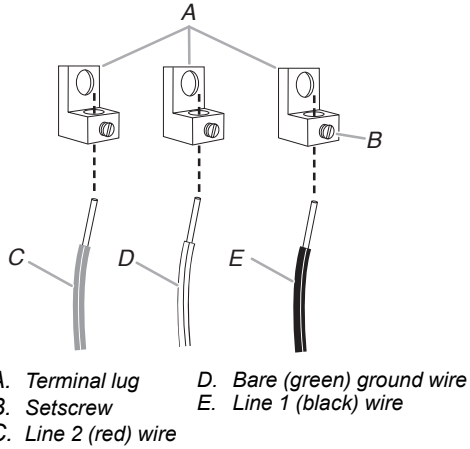
Use this method only if local codes permit connecting ground conductor to neutral supply wire.

1. Pull the wires through the conduit on cord/conduit plate on bottom of range. Allow enough slack to easily attach the wiring to the terminal block.



- A. Terminal block
- B. Ground-link screw
- C. Cord/conduit plate
- D. Line 2 (red) wire
- E. Bare (green) ground wire
- F. Line 1 (black) wire

- Attach terminal lugs to line 2 (red), bare (green) ground, and line 1 (black) wires. Loosen (do not remove) the setscrew on the front of the terminal lug and insert exposed wire end through bottom of terminal lugs. Securely tighten setscrew to torque as shown in the following Bare Wire Torque Specifications chart.

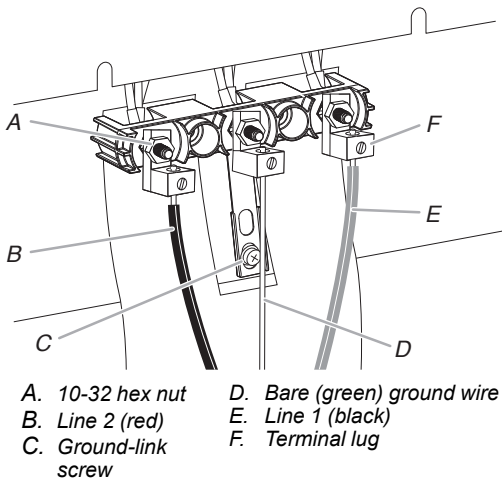


Bare Wire Torque Specifications

Attaching terminal lugs to the terminal block - 20 lbs-in (2.3 N-m).

Wire Awg	Torque
8 gauge copper	25 lbs-in (2.8 N-m)
6 gauge aluminum	35 lbs-in (4.0 N-m)

- Use 3/8" nut driver to connect the bare (green) ground wire to the center terminal block post with one of the 10-32 hex nuts.



- Connect line 2 (red) and line 1 (black) wires to the outer terminal block posts with 10-32 hex nuts.
- Using a torque wrench, tighten the hex nuts to a recommended torque of 20 in-lbs (2.3 N-m).
- Securely tighten hex nuts.
IMPORTANT: Verify the tightness of the hex nuts.
- Replace terminal block access cover.

Verify Anti-Tip Bracket Is Installed and Engaged

On Ranges Equipped with a Storage Drawer:

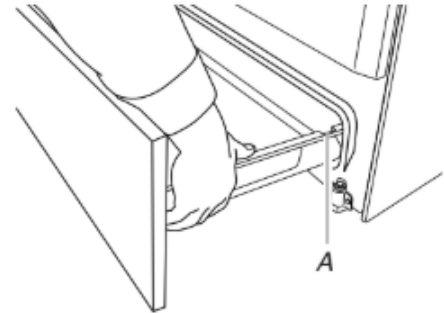
- Remove the storage drawer. See "Storage Drawer" section.
- Use a flashlight to look underneath the bottom of the range.
- Visually check that the rear range foot is inserted into the slot of the anti-tip bracket.

Storage Drawer

The storage drawer can be removed. Before removing, make sure drawer is cool and empty.

To Remove:

- Pull the storage drawer straight back to the drawer stop.

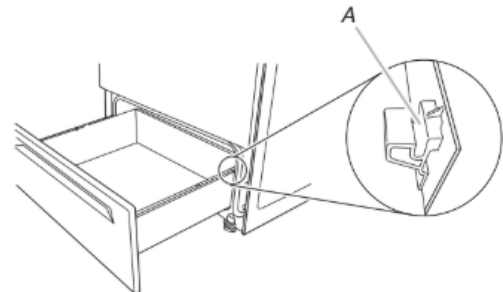


A. Drawer stop notch

- Lift up the front of the drawer and pull the drawer out.

To Replace:

- Lift up the front of the drawer and place the rear of the drawer inside the range so that the drawer stop notch is behind the drawer glide.
- Lower the drawer so that the edge of the slide rail drops into the slot in the drawer glide.
- Slowly push the drawer into the range.



A. Engage drawer glide.

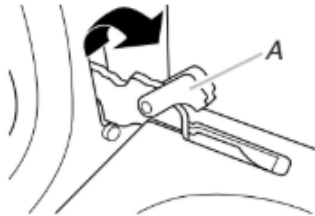
NOTE: When properly installed, the rear slides on the bottom of the drawer will engage the base rails and the drawer will not tip when items are placed in the drawer.

Oven Door

For normal range use, it is not suggested to remove the oven door. However, if removal is necessary, make sure the oven is off and cool. Then, follow these instructions. The oven door is heavy.

To Remove:

1. Open oven door all the way.
2. Pinch the hinge latch between two fingers and pull forward. Repeat on other side of oven door.



A. Hinge latch

3. Close the oven door as far as it will shut.
4. Lift the oven door while holding both sides. Continue to push the oven door closed and pull it away from the oven door frame.



To Replace:

1. Insert both hanger arms into the door.



2. Open the oven door. You should hear a “click” as the door is set into place.
3. Move the hinge levers back to the locked position. Check that the door is free to open and close. If it is not, repeat the removal and installation procedures.

Complete Installation

1. Check that all parts are now installed. If there is an extra part, go back through the steps to see which step was skipped.
2. Check that you have all of your tools.
3. Dispose of/recycle all packaging materials.
4. Check that the range is level. See the “Level Range” section.
5. Use a mild solution of liquid household cleaner and warm water to remove waxy residue caused by shipping material. Dry thoroughly with a soft cloth. For more information, see the “Range Maintenance and Care” section.
6. Read the Quick Start Guide and online Control Guide.

7. Plug power cord into appropriate outlet. Turn power on.
8. Turn on surface burners and oven. See the Quick Start Guide and online Control Guide for specific instructions on range operation.

If Range Does Not Operate, Check the Following:

- Household fuse is intact and tight; or circuit breaker has not tripped.
- Range is plugged into a grounded outlet.
- Electrical supply is connected.

IMPORTANT: If the range control displays an “F9” or “F9, E0” error code, the electrical outlet in the home may be miswired. Disconnect power and contact a qualified electrician to verify the electrical supply.

- See the online Troubleshooting section.

When the range has been on for 5 minutes, check for heat. If the range is cold, turn off the range and contact a qualified electrician.

Moving the Range

⚠ WARNING



Tip Over Hazard

A child or adult can tip the range and be killed.

Install anti-tip bracket to floor or wall per installation instructions.

Slide range back so rear range foot is engaged in the slot of the anti-tip bracket.

Re-engage anti-tip bracket if range is moved.

Do not operate range without anti-tip bracket installed and engaged.

Failure to follow these instructions can result in death or serious burns to children and adults.

When moving range, slide range onto cardboard or hardboard to avoid damaging the floor covering.

If removing the range is necessary for cleaning or maintenance:

For power supply cord-connected ranges:

1. Slide range forward.
2. Unplug the power supply cord.
3. Complete cleaning or maintenance.
4. Plug in power supply cord.
5. Check that the anti-tip bracket is installed and engaged. See the “Verify Anti-Tip Bracket Is Installed and Engaged” section.
6. Check that range is level.

For direct-wired ranges:

⚠WARNING



Electrical Shock Hazard

Disconnect power before servicing.

Replace all parts and panels before operating.

Failure to do so can result in death or electrical shock.

1. Disconnect power.
2. Slide range forward.
3. Complete cleaning or maintenance.
4. Check that the anti-tip bracket is installed and engaged. See the "Verify Anti-Tip Bracket Is Installed and Engaged" section.
5. Check that range is level.
6. Reconnect power.

SÉCURITÉ DE LA CUISINIÈRE

Votre sécurité et celle des autres sont très importantes.

Nous donnons de nombreux messages de sécurité importants dans ce manuel et sur votre appareil. Assurez-vous de toujours lire tous les messages de sécurité et de vous y conformer.



Voici le symbole d'alerte de sécurité.

Ce symbole d'alerte de sécurité vous signale les dangers potentiels de décès et de blessures graves.

Tous les messages de sécurité suivront le symbole d'alerte de sécurité et le mot « DANGER » ou « AVERTISSEMENT ». Ces mots signifient :

⚠ DANGER

Risque possible de décès ou de blessure grave si vous ne suivez pas immédiatement les instructions.

⚠ AVERTISSEMENT

Risque possible de décès ou de blessure grave si vous ne suivez pas les instructions.

Tous les messages de sécurité vous diront quel est le danger potentiel, comment réduire le risque de blessure et ce qui peut se produire en cas de non-respect des instructions.

La cuisinière ne basculera pas pendant une utilisation normale. Cependant, la cuisinière peut basculer, si vous appliquez trop de force ou de poids à la porte de la cuisinière, sans avoir adéquatement fixé la bride antibasculément.

⚠ AVERTISSEMENT

Risque de basculement

Une personne, enfant ou adulte, peut faire basculer la cuisinière et subir des blessures mortelles.

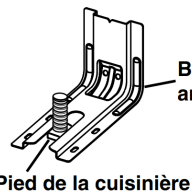
Fixer la bride antibasculément au plancher ou au mur, conformément aux instructions d'installation.

Faire glisser de nouveau la cuisinière de façon à ce que le pied arrière de la cuisinière se trouve dans la fente de la bride antibasculément.

Réengager la bride antibasculément si la cuisinière a été déplacée.

Ne pas faire fonctionner la cuisinière si la bride antibasculément n'est pas installée et engagée.

Le non-respect de ces instructions peut causer un décès ou des brûlures graves aux enfants et aux adultes.



Bride antibasculément

Pied de la cuisinière

Pour vérifier que la bride antibasculément est bien installée et engagée :

- Faire glisser la cuisinière vers l'avant.
- Vérifier que la bride antibasculément est bien fixée au plancher ou au mur.
- Faire glisser de nouveau la cuisinière de façon à ce que le pied arrière de la cuisinière se trouve sous la bride antibasculément.
- Voir les directives d'installation pour obtenir de plus amples renseignements.

IMPORTANTES INSTRUCTIONS DE SÉCURITÉ

AVERTISSEMENT : Afin de réduire le risque d'incendie, de décharge électrique ou de blessures lors de l'utilisation de l'appareil, il convient d'observer certaines précautions fondamentales, notamment :

- **AVERTISSEMENT :** POUR RÉDUIRE LES RISQUES DE BASCULEMENT DE LA CUISINIÈRE, LA CUISINIÈRE DOIT ÊTRE FIXÉE EN INSTALLANT CORRECTEMENT LE DISPOSITIF ANTIBASCULEMENT. POUR VÉRIFIER SI LES APPAREILS SONT BIEN INSTALLÉS, FAIRE GLISSER DE NOUVEAU LA CUISINIÈRE VERS L'AVANT, S'ASSURER QUE LE DISPOSITIF ANTIBASCULEMENT EST BIEN FIXÉ AU MUR OU AU PLANCHER, PUIS FAIRE GLISSER LA CUISINIÈRE VERS L'ARRIÈRE DE FAÇON À CE QUE LE PIED ARRIÈRE DE LA CUISINIÈRE SE TROUVE SOUS LA BRIDE ANTIBASCULEMENT.
- **AVERTISSEMENT :** Risque d'incendie : Ne pas ranger d'objets sur les surfaces de cuisson. Ne jamais rien laisser sur la surface lorsqu'elle est laissée sans surveillance et qu'elle n'est pas utilisée. Ne jamais placer d'objets inflammables ou en plastique sur ou à proximité de la surface.
- **ATTENTION :** Ne pas entreposer de produits d'intérêt pour les enfants dans les armoires au-dessus d'un appareil ou sur le dossier d'un appareil – Les enfants grimper sur l'appareil pour atteindre ces objets pourraient gravement se blesser.
- Installation conforme – L'appareil, lors de son installation, doit être correctement relié à la terre en conformité avec les codes locaux en vigueur, ou en l'absence de tels codes, avec le *National Electrical Code*, *ANSI/NFPA 70* ou le Code canadien des installations électriques, *CSA C22.1-02*. Au Canada, l'appareil doit être relié à la terre en respectant le Code canadien de l'électricité. S'assurer que l'appareil est bien installé et que la mise à la terre est réalisée par un technicien qualifié.
- Ne jamais utiliser l'appareil pour chauffer ou réchauffer la pièce.
- Ne pas laisser les enfants seuls – Les enfants ne doivent pas être laissés seuls ou sans surveillance dans la zone où l'appareil est utilisé. Ils ne doivent jamais être autorisés à s'asseoir ou à se tenir debout sur une partie quelconque de l'appareil.
- Porter des vêtements adaptés – Les vêtements pendants ou non ajustés ne doivent jamais être portés lorsqu'on utilise l'appareil.
- Entretien par l'utilisateur – Ne pas réparer ou remplacer une quelconque pièce de l'appareil sans recommandation spécifique du manuel. Toutes les autres tâches d'entretien doivent être effectuées par un technicien qualifié.
- Entreposage dans ou sur l'Appareil – Les matières inflammables ne doivent pas être entreposées dans un four ou près de la surface de la table.
- Cet appareil n'est pas conçu pour servir d'espace de rangement.
- Ne pas utiliser d'eau sur les Feux de Friture – Éteindre le feu ou la flamme ou utiliser un extincteur avec agent chimique sec ou mousses.
- Ne pas utiliser de pièces de remplacement qui n'ont pas été recommandées par le fabricant (c.-à-d., des pièces fabriquées à la maison à l'aide d'une imprimante 3D).
- Utiliser uniquement des mitaines sèches – Les mitaines humides ou trempées sur les surfaces chaudes peuvent provoquer des brûlures dues à la vapeur. Ne pas laisser les maniques toucher des éléments chauffants et chauds. Ne pas utiliser un chiffon ou tout autre tissu encombrant.
- NE PAS TOUCHER LES UNITÉS DE SURFACE OU LES ZONES PRÈS DES UNITÉS DE SURFACE – Les unités de surface peuvent être chaudes même si elles sont de couleur foncée. Les zones près des unités de surface peuvent être suffisamment chaudes pour provoquer des brûlures. Pendant et après l'utilisation, ne pas toucher ou laisser des vêtements ou d'autres matériaux inflammables en contact avec les unités de surface ou les zones près des unités de surface tant qu'elles n'ont pas suffisamment refroidi. Parmi ces zones, on compte les éléments, la table de cuisson et les zones face à la table de cuisson.
- Utiliser des Ustensiles de taille appropriée – Cet appareil est équipé d'une ou plusieurs unités de surface de différentes tailles. Choisir des ustensiles ayant des fonds plats suffisamment grands pour couvrir l'élément chauffant de surface. L'utilisation d'ustensiles sous-dimensionnés exposera une partie de l'élément chauffant à un contact direct et peut entraîner l'inflammation des vêtements. Un bon contact entre l'ustensile et le brûleur améliorera l'efficacité de la table.
- Ne jamais laisser les surfaces de cuisson sans surveillance à des réglages de chaleur élevée – Les huiles de cuisson et les graisses animales sont inflammables, l'ébullition peut provoquer des fumées, et les débordements graisseux peuvent s'enflammer.
- S'assurer que les réflecteurs ou cuvettes ramasse-gouttes sont en place – L'absence de ces éléments pendant la cuisson peut endommager les conducteurs et composants se trouvant en dessous.
- Revêtements de Protection – Ne pas utiliser de papier aluminium pour recouvrir la surface des cuvettes ramasse-gouttes ou le fond du four, sauf si le manuel le suggère. Une mauvaise installation de ces protecteurs peut entraîner un risque de décharge électrique ou d'incendie.
- Ustensiles de cuisson émaillés – seuls certains types d'ustensiles en verre, vitrocéramique, céramique, terre cuite ou autre émaillage peuvent être utilisés sur la surface de la cuisinière sans briser en raison du changement de température soudain.
- Les poignées des ustensiles doivent être tournées vers l'intérieur et ne doivent pas dépasser au-dessus des unités de surface de cuisson – Pour éviter le risque de brûlures, d'inflammation des matières inflammables et d'éclaboussures dues à un contact non intentionnel avec l'ustensile, la poignée d'un ustensile doit toujours être positionnée vers l'intérieur et ne doit pas dépasser au-dessus des surfaces de cuisson adjacentes.
- Ne pas tremper les éléments chauffants – Les éléments chauffants ne devraient jamais être immergés.
- Ne pas cuire sur une Table de Cuisson brisée – Si la table de cuisson est cassée, les agents de nettoyage et les éclaboussures peuvent pénétrer dans la table de cuisson brisée et créer un risque de décharge électrique. Contacter un électricien qualifié immédiatement dans ce cas.

CONSERVER CES INSTRUCTIONS

IMPORTANTES INSTRUCTIONS DE SÉCURITÉ

- Nettoyer la table de cuisson avec précaution – Si une éponge ou un linge humide est utilisé pour nettoyer les éclaboussures sur une zone de cuisson chaude, faire attention aux brûlures dues à la vapeur. Certains nettoyants peuvent produire des fumées toxiques si appliqués sur une surface chaude.
 - Ouvrir la porte lentement – Laisser la chaleur ou la vapeur s'échapper avant de retirer ou de remettre en place un plat.
 - Ne pas faire chauffer un contenant qui n'a pas été ouvert—L'accumulation de pression pourrait faire éclater le contenant et causer des blessures.
 - Garder dégagés les Conduits de Ventilation du Four.
 - Position des grilles du four – toujours placer les grilles à la position souhaitée lorsque le four est froid. Si une grille doit être déplacée pendant que le four est chaud, ne pas laisser la poignée entrer en contact avec l'élément chaud du four.
 - **NE PAS TOUCHER LES ÉLÉMENTS CHAUFFANTS OU LES SURFACES INTÉRIEURES DU FOUR** – Les éléments chauffants peuvent être chauds même s'ils sont de couleur foncée. Les surfaces intérieures du four peuvent être suffisamment chaudes pour provoquer des brûlures. Pendant et après l'utilisation, ne pas toucher ou laisser des vêtements ou d'autres matériaux inflammables en contact avec les éléments chauffants ou les surfaces intérieures tant qu'ils n'ont pas suffisamment refroidi. Les autres surfaces de l'appareil peuvent devenir suffisamment chaudes pour causer des brûlures – les ouvertures de ventilation et les surfaces autour de ces ouvertures, les portes du four et les hublots de portes font partie de ces surfaces.
 - Il faut faire attention de ne pas laisser le papier aluminium et la sonde de cuisson entrer en contact avec les éléments chauffants.
- Pour les cuisinières autonettoyantes –**
- **ATTENTION : NE PAS LAISSER D'ALIMENTS, D'USTENSILES DE CUISSON, ETC. DANS LE FOUR PENDANT L'UTILISATION DU MODE DE NETTOYAGE PYROLYTIQUE.**
 - Ne pas nettoyer le joint de la porte – Le joint de la porte est essentiel pour une bonne étanchéité. Faire attention à ne pas frotter, endommager ou déplacer le joint.
 - Ne pas utiliser de nettoyants à four – Aucun nettoyant commercial ou revêtement de protection pour four d'aucune sorte ne devrait être utilisé dans le four ou près de ses parties.
 - Ne nettoyer que les pièces indiquées dans le manuel.
 - Avant de mettre en marche l'autonettoyage – Enlever la lèchefrite et les autres ustensiles.
- Pour les appareils avec hotte de ventilation –**
- Nettoyer régulièrement les hottes de ventilation – Ne pas laisser la graisse s'accumuler dans la hotte ou le filtre.
 - Lorsque des aliments sont flambés sous la hotte, mettre le ventilateur en marche.
- Pour les cuisinières et fours intelligents**
- Utilisation à distance – cet appareil peut être configuré pour permettre l'utilisation à distance en tout temps. Ne pas ranger de matériaux inflammables ou sensibles à la température sur le dessus ou près de la surface de l'appareil.

CONSERVER CES INSTRUCTIONS

ENTRETIEN ET RÉPARATION DE LA CUISINIÈRE

Nettoyage Général

IMPORTANT : Avant le nettoyage, s'assurer que toutes les commandes sont éteintes et que le four et la table de cuisson sont froids. Toujours suivre les instructions figurant sur les étiquettes des produits de nettoyage.

L'usage de savon, d'eau et d'un chiffon doux ou d'une éponge est suggéré en priorité, sauf indication contraire.

SURFACES EN ÉMAIL VITRIFIÉ UNIQUEMENT (sur certains modèles)

Les éclaboussures alimentaires acides, telles que vinaigre et tomate, doivent être nettoyées dès que la cuisinière a refroidi. Ces salissures peuvent endommager le fini.

Méthode de nettoyage :

- Nettoyant à vitre, nettoyant doux liquide ou tampon à récurer non abrasif : Nettoyer délicatement autour de la plaque signalétique, car le frottement pourrait en effacer les chiffres.
- Nettoyant affresh®† pour cuisine et appareils ménagers – réf. W10355010 (non fourni) : Consulter le Guide de démarrage rapide pour obtenir les coordonnées.

ACIER INOXYDABLE (sur certains modèles)

REMARQUE : Afin d'éviter d'endommager les surfaces en acier inoxydable, ne pas utiliser de tampons à récurer savonneux, de nettoyants abrasifs, de tampons en laine d'acier, de chiffons de lavage rêches ou d'essuie-tout abrasifs. Ils peuvent endommager les surfaces en acier inoxydable, même après une seule application ou quelques-unes.

Méthode de nettoyage :

Frotter dans la direction du grain pour éviter les dommages.

- Nettoyant affresh® pour acier inoxydable – numéro de pièce W10355016 (vendu séparément) : Consulter le Guide de démarrage rapide pour obtenir les coordonnées.

PEINTURE MÉTALLIQUE (sur certains modèles)

Ne pas utiliser de nettoyants abrasifs, de nettoyants avec agent de blanchiment, de produits antirouille, d'ammoniaque ou d'hydroxyde de sodium (soude), car la surface peinte pourrait se tacher.

NETTOYAGE DE LA TABLE DE CUISSON EN VITROCÉRAMIQUE

Méthode de Nettoyage :

IMPORTANT : Les grattoirs pour table de cuisson peuvent endommager le revêtement et diminuer les performances de nettoyage.

1. S'assurer que la table de cuisson a refroidi à la température ambiante.
2. Couvrir les aliments/résidus avec de l'eau pendant au moins 5 minutes. S'assurer de couvrir l'ensemble de la zone touchée.
3. Essuyer avec une éponge non abrasive.
REMARQUE : Si l'eau sèche ou qu'il reste des aliments/résidus sur la surface de cuisson, répéter les étapes 2 et 3.

COMMANDES DE LA TABLE DE CUISSON

Afin d'éviter d'endommager les commandes de la table de cuisson, ne pas utiliser de laine d'acier, de nettoyants abrasifs ou de nettoyant pour four.

Afin d'éviter toute détérioration, ne pas laisser tremper les boutons de commande. Lors de la réinstallation des boutons, s'assurer que chaque bouton est à la position Arrêt.

Sur certains modèles, ne pas enlever les joints sous les boutons.

Méthode de Nettoyage :

- Savon et eau : Tirer les boutons directement hors du tableau de commande pour les enlever.

TABLEAU DE COMMANDE ET EXTÉRIEUR DE LA PORTE DU FOUR

Afin d'éviter d'endommager le tableau de commande, ne pas utiliser de nettoyants abrasifs, de tampons en laine d'acier, de chiffons de lavage rêches ou d'essuie-tout abrasifs.

Méthode de Nettoyage :

- Nettoyant à vitre et chiffon doux ou éponge : Appliquer le nettoyant à vitre sur un chiffon doux ou une éponge et non directement sur le tableau.
- Nettoyant Affresh® pour Cuisine et Appareils Ménagers – Numéro de Pièce W10355010 (vendu séparément) : Consulter le Guide de démarrage rapide pour obtenir les coordonnées.

ÉLÉMENTS EN SPIRALE (sur certains modèles)

Méthode de Nettoyage :

- Chiffon humide : S'assurer que les boutons de commande sont DÉACTIVÉS et que les éléments sont froids.

Ne pas nettoyer ni immerger dans l'eau. Les salissures brûlent lorsqu'elles chauffent.

CUVETTES DES BRÛLEURS (sur certains modèles)

Avant de retirer ou de remplacer les éléments en spirale et les cuvettes de brûleur, s'assurer qu'ils sont froids et que les boutons de commande sont en position ARRÊT.

Retirer l'élément en spirale en poussant son pourtour vers le réceptacle. Le soulever suffisamment pour pouvoir dégager la cuvette de brûleur. Tirer l'élément en spirale en ligne droite pour le dégager du réceptacle. Soulever la cuvette du brûleur pour la dégager.

Méthode de Nettoyage :

Cuvettes de brûleur chromées

Laver fréquemment à l'eau savonneuse tiède. (Il n'est pas recommandé de laver les cuvettes chromées au lave-vaisselle.) Il est possible d'utiliser un produit de nettoyage modérément abrasif et une spatule à récurer en plastique pour éliminer les taches tenaces.

Pour les cuvettes de brûleur très sales, placer un morceau d'essuie-tout imbibé d'ammoniaque sur les taches et laisser tremper pendant une courte durée. Frotter ensuite doucement avec une spatule à récurer en plastique.

SURFACE SOUS LA TABLE DE CUISSON (sur certains modèles)

Le dessous de la table de cuisson à éléments en spirale est facilement accessible pour le nettoyage. Soulever la table de cuisson par les deux coins avant jusqu'à ce que le support s'emboîte.

Méthode de Nettoyage :

- Nettoyant à vitre, nettoyant doux liquide ou tampon à récurer non abrasif.
- Nettoyant Affresh® pour Cuisine et Appareils Ménagers – Numéro de Pièce W10355010 (vendu séparément) : Consulter le Guide de Démarrage Rapide pour obtenir les coordonnées.

†affresh® est une marque déposée de Whirlpool, É-U.

Afin d'éviter d'endommager la cuisinière, ne pas retirer la table de cuisson.

GRILLES DU FOUR

Méthode de Nettoyage :

- Tampon en laine d'acier
- Pour les grilles ternies qui glissent difficilement, enduire légèrement les glissières d'huile végétale; cela facilitera leur glissement.
- Lave-vaisselle (réservoir d'eau de la grille d'étuvage uniquement; la grille d'étuvage n'est pas lavable au lave-vaisselle) : Bien que le réservoir soit durable, il perdra progressivement de son lustre et/ou se décolorera lorsqu'on le lave au lave-vaisselle.

TIROIR DE REMISAGE

S'assurer que le tiroir est froid et vide avant le nettoyage.

Méthode de Nettoyage :

- Détergent doux

CAVITÉ DU FOUR

Selon votre modèle, utiliser régulièrement le Nettoyage à la Vapeur ou le programme d'Autonettoyage pour nettoyer les renversements dans le four.

Ne pas utiliser de nettoyeurs à four.

Les éclaboussures alimentaires doivent être nettoyées lorsque le four a refroidi. À des températures élevées, les aliments réagissent avec la porcelaine. Cette réaction peut causer des taches, des attaques, des piqûres ou de légères taches blanches.

Méthode de Nettoyage :

- Programme de nettoyage : Consulter d'abord la section « Programme d'Autonettoyage » ou « Programme de Nettoyage à la Vapeur ».

Programme d'Autonettoyage (sur certains modèles)

AVERTISSEMENT



Risque de brûlures

Ne pas toucher le four au cours du programme d'autonettoyage.

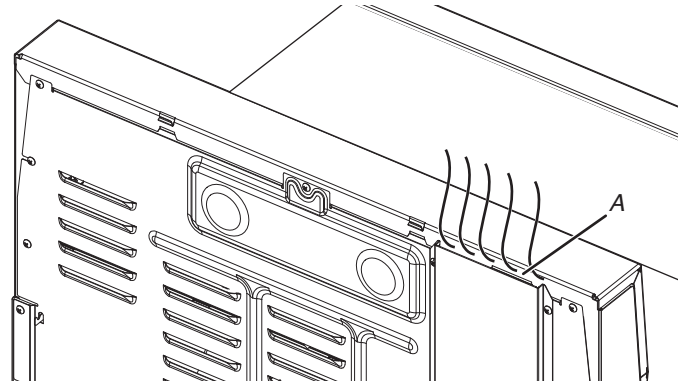
Garder les enfants loin du four au cours du programme d'autonettoyage.

Le non-respect de ces instructions peut causer des brûlures.

IMPORTANT : La santé de certains oiseaux est très sensible aux émanations qui surviennent durant le programme d'Autonettoyage. L'exposition aux émanations peut entraîner la mort de certains oiseaux. Toujours déplacer les oiseaux dans une autre pièce fermée et bien aérée.

Veiller à ce que la cuisine soit bien aérée pendant le programme d'Autonettoyage afin d'aider à éliminer la chaleur, les odeurs et la fumée.

Ne pas obstruer le ou les événements du four durant le programme d'Autonettoyage. L'air doit pouvoir circuler librement. Selon le modèle, voir la section « Événement du Four » ou « Événements du Four » du Guide de Démarrage Rapide.



A. Événement du four

Ne pas nettoyer, frotter, endommager ou déplacer le joint d'étanchéité de la porte du four.

Préparation de la hotte :


- Sortir du four la lèchefrite, la grille, les ustensiles de cuisson au four et de rôtissage, les grilles du four, le papier d'aluminium et sur certains modèles, la sonde thermométrique.
- Utiliser un chiffon humide pour nettoyer l'intérieur de la porte et une zone de 1 1/2 po (3,8 cm) sur le pourtour du cadre de la cavité du four, en prenant soin de ne pas déplacer ni plier le joint d'étanchéité.
- Essuyer toute saleté décollée afin de réduire la fumée et d'éviter les dommages. À des températures élevées, les aliments réagissent avec la porcelaine. Cette réaction peut causer des taches, des attaques, des piqûres ou de légères taches blanches. Ceci n'affectera pas la performance de cuisson.
- Enlever les articles de plastique de la table de cuisson, car ils peuvent fondre.
- Enlever tous les articles du tiroir de remisage.



Comment Fonctionne le Programme

IMPORTANT : Le chauffage et le refroidissement de la porcelaine sur l'acier dans le four peuvent causer une décoloration, une perte de lustre, des fissures minuscules et des craquements.

Le programme d'Autonettoyage utilise des températures très élevées, brûlant les saletés pour les réduire en cendre.

Lorsque le four a complètement refroidi, retirer la cendre avec un chiffon humide. Afin d'éviter de briser le verre ne pas appliquer de chiffon humide et froid sur la partie interne du hublot de la porte avant qu'il n'ait complètement refroidi.

Pour arrêter le programme d'Autonettoyage à tout moment, appuyer sur la touche ARRÊT ou ARRÊT/ANNULATION. Si la température est trop élevée, la porte du four reste verrouillée et « refroidissement » et « verrouiller » ou «  » s'affichent.

Tant que «  » est affiché, il est impossible d'ouvrir la porte du four. Pour éviter d'endommager la porte, ne pas forcer l'ouverture tant que «  » est affiché.

Avant l'autonettoyage, s'assurer que la porte est complètement fermée sinon elle ne se verrouillera pas et le programme d'Autonettoyage ne commencera pas.

Une fois la température de nettoyage atteinte, la commande électronique nécessite un délai de 12 heures avant qu'un autre programme d'Autonettoyage puisse être lancé.

La lampe du four ne fonctionne pas durant le programme d'Autonettoyage.

Commande Électronique de Four avec Temps de Nettoyage Réglable (sur certains modèles)

La durée du programme d'Autonettoyage est réglable entre 2 h 30 minutes et 5 h par tranches de 30 minutes. Les durées de nettoyage suggérées sont de 2 h 30 minutes pour des saletés légères et de 5 h pour des saletés abondantes. Pendant les 30 dernières minutes du programme, le four refroidit.

IMPORTANT : Lorsque la table de cuisson est en cours d'utilisation, le programme d'Autonettoyage est désactivé. Lorsque le programme d'Autonettoyage est en cours, la table de cuisson est verrouillée.

Pour utiliser l'Autonettoyage :

1. Appuyer sur NETTOYAGE ou AUTONETTOYAGE.
2. Appuyer sur la touche « + » et « - » ou « haut » et « bas » pour entrer la durée du programme d'Autonettoyage désirée.
3. Appuyer sur MISE EN MARCHE.

La porte du four se verrouille automatiquement. Les témoins lumineux Porte Verrouillée et Propre s'allument. La durée résiduelle est également affichée.

4. Lorsque le programme d'Autonettoyage est terminé et que le four est froid, les témoins lumineux Porte verrouillée et Propre s'éteignent.
5. Lorsque le four a complètement refroidi, retirer la cendre avec un chiffon humide.

Pour quitter le programme d'Autonettoyage avant la fin, appuyer sur ANNULATION ou ARRÊT/ANNULATION. La porte se déverrouille dès que le four est froid.

Steam Clean (nettoyage à la vapeur) (sur certains modèles)

IMPORTANT : Ne pas utiliser de nettoyeurs pour four ou d'autres additifs avec Steam Clean (nettoyage avec vapeur).

La fonction Steam Clean (nettoyage à la vapeur) permet d'effectuer un nettoyage léger du fond de la cavité du four. Utiliser la fonction Steam Clean (nettoyage à la vapeur) aussi rapidement que possible après un renversement. Plus les renversements restent dans le four et y séchent, plus ils seront difficiles à nettoyer.

Laisser la cuisinière refroidir et atteindre la température ambiante avant d'utiliser le programme de nettoyage à la vapeur. Si la cavité du four se trouve à plus de 170 °F (77 °C), « HOT » (chaud) apparaîtra à l'écran et la fonction Steam Clean (nettoyage à la vapeur) ne s'activera pas avant que le four ait refroidi.

- Retirer les grilles et accessoires de la cavité du four.
- Pour obtenir de bons résultats, verser 12 oz (355 mL) d'eau distillée ou filtrée dans le fond du four.
- La fonction Steam Clean (nettoyage à la vapeur) prend un total de 50 minutes. À la fin du programme, « End » (fin) s'affichera à l'écran.

IMPORTANT : Puisque l'eau dans le fond du four est chaude, ne pas ouvrir la porte du four pendant le programme de nettoyage à la vapeur.

À tout moment, on peut appuyer sur la touche Cancel (annulation) pour terminer le programme. L'affichage de l'heure est rétabli.

Conseils utiles

- Une fois le programme de nettoyage à la vapeur terminé, essuyer complètement l'eau et les résidus au fond du four avec une éponge ou un chiffon.
- Essuyer toute humidité présente dans l'intérieur du four, les parois latérales internes de la cavité du four et la table de cuisson.
- Utiliser une brosse à poils doux ou un ustensile de récurage en nylon pour essuyer l'intérieur du four. Ceci pourra être utile pour les taches les plus tenaces.
- S'il reste des saletés, lancer un deuxième programme de nettoyage à la vapeur pour aider à décoller les résidus afin de faciliter leur nettoyage.
- Utiliser le nettoyage à la vapeur pour de petits renversements comme des résidus de fromage ou de sauce à pizzas ou encas, ou encore pour les petits renversements des plats à mets en sauce.
- Les renversements alimentaires contenant du sucre, des protéines ou de l'amidon nécessiteront peut-être un frottement vigoureux pour en enlever la plus grosse partie.
- Il est recommandé d'utiliser une eau distillée ou filtrée, car l'eau du robinet peut laisser des dépôts minéraux sur le fond du four. Utiliser un linge imbibé de vinaigre ou de jus de citron pour retirer tout dépôt de minéraux qui peut être présent après le programme de nettoyage à la vapeur.

INSTRUCTIONS D'INSTALLATION SPÉCIFICATIONS

Outils et pièces

Rassembler les outils et pièces nécessaires avant d'entreprendre l'installation. Lire et observer les instructions fournies avec chacun des outils de la liste ci-dessous.

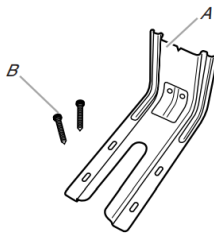
Outils nécessaires

- Ruban à mesurer
- Tournevis à tête plate
- Tournevis à tête cruciforme
- Niveau
- Marteau
- Perceuse manuelle ou électrique
- Clé ou pince
- Marqueur ou crayon
- Lampe de poche
- Clé dynamométrique
- Ruban adhésif de masquage
- Clé à cliquet de 1/4 po (6,4 mm)
- Tourne-écrou de 1/4 po (6,4 mm)
- Tourne-écrou de 3/8 po (9,5 mm) et 5/16 po (8 mm)
- Foret de 1/8 po (3,2 mm) (pour planchers en bois)
- Cisaille de ferblantier ou coupe-fils de gros diamètre (pour couper la tresse de liaison à la terre, le cas échéant)

Pièces fournies

Vérifier que toutes les pièces sont présentes.

- 3 écrous hexagonaux de 10-32 (fixés au bornier)
- 3 attaches de bornes



A. Bride antibasculement

B. Vis no 8 12 x 1 5/8 po (41 mm) (2)

- La bride antibasculement doit être bien fixée au plancher ou au mur. La profondeur du plancher peut nécessiter des vis plus longues pour l'ancrage de la bride dans le plancher.

Pièces nécessaires

En cas d'utilisation d'un cordon d'alimentation électrique :

- Cordon d'alimentation (homologation UL) conçu pour l'utilisation avec une cuisinière. Le cordon devrait avoir une capacité nominale minimum de 250 V à 40 A ou 50 A, être compatible avec une ouverture d'un diamètre nominal de 1 3/8 po (3,5 cm) pour le raccordement et doit posséder des cosses à anneau ou des cosses ouvertes avec bouts dégagés.
- Un serre-câbles (homologation UL).

Consulter les codes locaux. Vérifier l'alimentation électrique existante. Voir la section « Spécifications électriques » correspondante.

Il est recommandé de faire réaliser tous les raccordements électriques par un électricien qualifié agréé.

REMARQUE : S'assurer d'acheter uniquement des pièces et des accessoires Whirlpool certifiés par le fabricant de l'appareil. Il se peut que l'installation nécessite des pièces supplémentaires. Pour commander, consulter les coordonnées indiquées dans le guide de démarrage rapide.

Exigences d'emplacement

IMPORTANT : Observer les dispositions de tous les codes et règlements en vigueur.

- Pour éliminer les risques de brûlure ou d'incendie en se penchant au-dessus d'une surface qui chauffe, il est déconseillé d'utiliser l'espace de rangement des armoires situées au-dessus de l'appareil. Si des armoires de rangement sont envisagées, le risque peut être réduit par l'installation d'une hotte de cuisinière dépassant le bas des armoires d'au moins 5 po (12,7 cm) horizontalement.
- C'est à l'installateur qu'incombe la responsabilité de respecter les distances de séparation spécifiées sur la plaque signalétique. La plaque signalétique est située sur le châssis derrière un coin supérieur de la porte ou un côté du tiroir.
- La cuisinière doit être installée à un endroit pratique dans la cuisine.
- Dans le cas d'une cuisinière encastrée, l'enceinte doit recouvrir complètement les côtés et l'arrière de la cuisinière.
- Toutes les ouvertures dans le mur ou le plancher de l'emplacement d'installation de la cuisinière doivent être scellées.
- Respecter les dimensions indiquées pour les ouvertures à découper dans les armoires. Ces dimensions constituent les valeurs minimales des dégagements.
- La bride antibasculement doit être installée. Pour l'installation de la bride antibasculement fournie avec la cuisinière, voir la section « Installation de la bride antibasculement ».

- Une source d'électricité avec liaison à la terre est nécessaire. Consulter la section « Exigences électriques » appropriée.
- Contacter un installateur de revêtement de sol qualifié, qui pourra déterminer si le revêtement de sol peut résister à une température d'au moins 200 °F (93 °C).
- Dans le cas de l'installation de la cuisinière sur une moquette, placer sous la cuisinière un tapis isolant ou une plaque de contreplaqué de 1/4 po (0,64 cm).

IMPORTANT : Pour éviter d'endommager les armoires, consulter le constructeur de la maison ou le fabricant des armoires pour déterminer si les matériaux utilisés peuvent subir un changement de couleur, une déstratification ou d'autres dommages. Ce four a été conçu conformément aux exigences des normes UL et CSA International et respecte les températures maximales permises de 194 °F (90 °C) pour les armoires en bois.

Résidence mobile – Spécifications additionnelles à respecter lors de l'installation

L'installation de cette cuisinière doit s'effectuer conformément à la norme Manufactured Home Construction Safety Standards, Title 24 CFR, Part 3280 (anciennement Federal Standard for Mobile Home Construction and Safety, title 24, HUD, Part 280). Lorsque cette norme n'est pas applicable, l'installation doit satisfaire aux critères de la norme Standard for Manufactured Home Installations, ANSI A225.1/NFPA 501A ou aux dispositions des codes locaux.

Au Canada, l'installation de cette cuisinière doit satisfaire aux stipulations de la version la plus récente de la norme CAN/CSA-Z240.1, ou des codes locaux en vigueur.

Critères à respecter pour une installation dans une maison mobile :

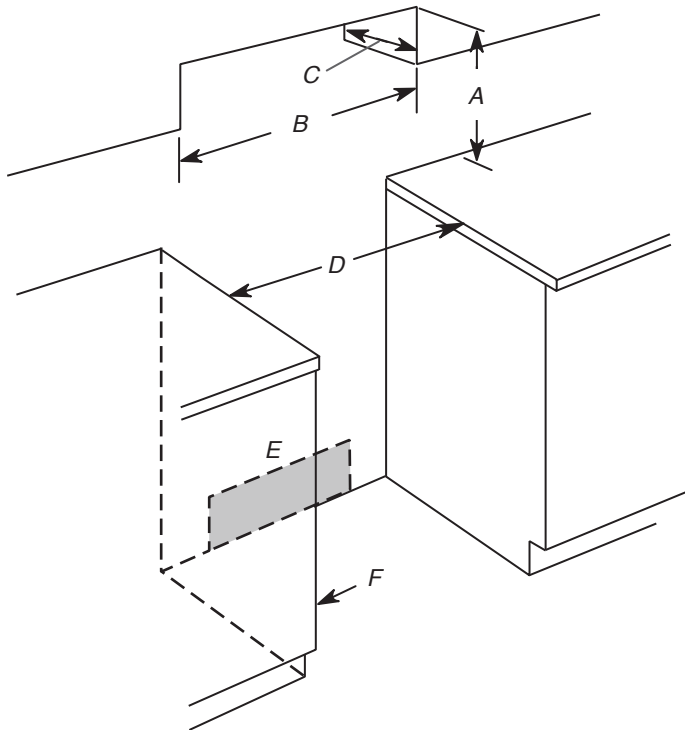
- Dans le cas de l'installation de cette cuisinière dans une résidence mobile, la cuisinière doit être fixée au plancher durant tout déplacement du véhicule. Toute méthode pour fixer de façon sécuritaire la cuisinière est adéquate dès qu'elle respecte les normes mentionnées plus haut.
- Un cordon ou un câble d'alimentation à 4 fils doit être utilisé lors d'une installation dans une maison mobile. Le câblage de l'appareil devra être consulté. Voir la section « Raccordement électrique – É.-U. seulement ».

Dimensions de l'Armoire

Les dimensions de l'espace entre les armoires correspondent à une installation entre des armoires de 25 po (64,0 cm) de profondeur, avec comptoir de 24 po (61,0 cm) de profondeur et de 36 po (91,4 cm) de hauteur.

IMPORTANT : En cas d'installation d'une hotte ou d'un ensemble hotte/micro-ondes au-dessus de la cuisinière, suivre les instructions fournies avec la hotte ou l'ensemble hotte/micro-ondes concernant les dimensions de dégagement à respecter au-dessus de la surface de la table de cuisson.

Une cuisinière autoportante peut être installée sans aucun dégagement à proximité de parois combustibles.



- A. Pour le dégagement minimum vers la partie supérieure de la table de cuisson, voir la REMARQUE*.
- B. 30 po (76,2 cm) minimum de largeur d'ouverture
- C. 13 po (33,0 cm) maximum de profondeur de l'armoire supérieure
- D. 30 po (76,2 cm) minimum de largeur d'ouverture
- E. Prise – 8 po (20,3 cm) à 22 po (55,9 cm) de l'une des armoires, 7 po (17,8 cm) maximum du plancher.
- F. La porte ou les charnières de l'armoire ne doivent pas dépasser à l'intérieur de l'ouverture.

***REMARQUE :** Distance de séparation de 24 po (61,0 cm) ou plus lorsque le fond d'une armoire de bois ou de métal est couvert par une planche ignifugée d'au moins 1/4 po (0,64 cm) recouverte d'une feuille métallique d'épaisseur égale ou supérieure à : acier calibre 28 MSG, acier inoxydable 0,015 po (0,4 mm), aluminium 0,024 po (0,6 mm) ou cuivre 0,020 po (0,5 mm).

Distance de séparation minimale de 30 po (76,2 cm) ou plus entre le dessus de la table de cuisson et le fond d'une armoire de bois ou de métal non protégée.

Spécifications électriques – É.-U. seulement

⚠ AVERTISSEMENT



Risque de décharge électrique

Appareil relié à la terre.

Le non-respect de ces instructions peut causer un décès, un incendie ou une décharge électrique.

Si les codes le permettent et qu'un fil de mise à la terre séparé est utilisé, nous recommandons qu'un électricien qualifié détermine si le trajet du fil et son calibre respectent les codes locaux.

Ne pas utiliser de câble de rallonge.

S'assurer que le raccordement électrique est adéquat et conforme au code national de l'électricité, ANSI/NFPA 70 – dernière édition, et à tous les codes et règlements locaux en vigueur.

Pour obtenir un exemplaire des normes des codes ci-dessus, contacter :

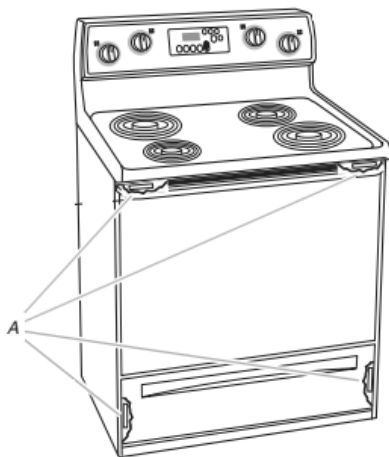
National Fire Protection Association
1 Batterymarch Park
Quincy, MA 02169-7471

AVERTISSEMENT : Un raccordement inapproprié du conducteur de mise à la terre de l'équipement peut causer un risque de décharge électrique. Vérifier avec un électricien ou un technicien de dépannage qualifié en cas de doute quant à la qualité de la liaison à la terre de l'appareil. Ne pas modifier la prise du cordon d'alimentation. Si elle ne correspond pas à la prise de sortie, faire installer une prise appropriée par un électricien qualifié.

Raccordement électrique

Pour installer la cuisinière de façon appropriée, il faut établir le type de raccords électriques qui sera utilisé et suivre les instructions de ce document.

- La cuisinière doit être alimentée par une source d'électricité et une tension appropriées, comme spécifié sur la plaque signalétique. La plaque signalétique est située sur le châssis derrière un coin supérieur de la porte ou un côté du tiroir.



A. La plaque signalétique est située sur le châssis derrière un coin supérieur de la porte ou un côté du tiroir.

- La borne du neutre de cette cuisinière est raccordée à la caisse. Utiliser un cordon d'alimentation électrique (raccord flexible) à 3 fils homologué UL, pour 40 A ou 50 A. Voir le tableau de la puissance nominale de la cuisinière. Si les codes locaux interdisent le raccordement de la terre au neutre, utiliser un cordon d'alimentation électrique à 4 fils de 250 V, 40 A ou 50 A en nominal et dont l'utilisation avec les cuisinières a été testé

Puissance nominale de la cuisinière*		Puissance nominale spécifiée du cordon d'alimentation et de la protection du circuit
120/240 V	120/208 V	Courant
8,8–16,5 kW	7,8–12,5 kW	40 ou 50**
16,6–22,5 kW	12,6–18,5 kW	50

*La charge NEC calculée est inférieure à la charge totale connectée indiquée sur la plaque signalétique.

**Si l'appareil est branché à un circuit de 50 A, utiliser un cordon de 50 A avec la trousse. Pour les ensembles avec cordon de 50 A nominal, utiliser des trousse conçues pour être utilisées avec une ouverture de raccord d'un diamètre nominal de 1 3/8 po (34,9 mm).

- L'emploi d'un disjoncteur est recommandé.
- La cuisinière peut être raccordée directement au disjoncteur (ou coupe-circuit avec fusible) par l'intermédiaire d'un câble à conducteurs de cuivre ou d'aluminium, à blindage métallique flexible ou à gaine non métallique. Voir la section « Raccordement électrique – É.-U. seulement ».
- Prévoir 2 à 3 pi (61,0 cm à 91,4 cm) de jeu pour le câble afin de pouvoir déplacer la cuisinière en cas de réparation.
- Un raccord de conduit homologué UL doit être fourni à chaque extrémité du câble d'alimentation électrique (à la cuisinière et à la boîte de connexion).
- Le calibre des câbles et des raccords doit être conforme à la puissance nominale de la cuisinière.
- La fiche technique est située à l'arrière de la cuisinière, dans un sachet plastique transparent.

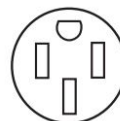
En cas de raccordement à un circuit à 4 conducteurs :

Cette cuisinière est fabriquée avec la mise à la terre connectée au neutre par une liaison. Le circuit de mise à la terre doit être modifié pour que le conducteur de mise à la terre vert du cordon d'alimentation électrique à 4 conducteurs soit raccordé à la caisse. Voir la section « Raccordement électrique – É.-U. seulement ».

Effectuer une mise à la terre à partir du connecteur neutre est illégal pour les nouvelles installations avec circuit de dérivation (1996 NEC), les maisons mobiles et les véhicules récréatifs ou dans les régions où les codes locaux interdisent la mise à la terre à partir du fil de neutre.

Lorsqu'un réceptacle à 4 fils 14-50R de type NEMA est utilisé, un cordon d'alimentation à 4 fils (avec raccord flexible) pour cuisinière homologué UL de 250 V, 40 A ou 50 A correspondant doit être utilisé. Ce cordon contient 4 fils de cuivre avec cosses à anneau ou cosses ouvertes avec bouts dégagés et fiche 14-50P de type NEMA d'un côté.

Le quatrième conducteur (mise à la terre) doit être identifié par une gaine verte, ou vert et jaune, et le conducteur neutre doit être identifié par une gaine blanche. On doit utiliser un cordon de type SRD ou SRDT avec un serre-câbles homologué UL d'au moins 4 pi (1,22 m) de long.



Prise murale à 4 fils (14-50R)

La taille minimum pour un conducteur en cuivre d'un cordon d'alimentation à 4 fils en cuivre est :

- Circuit de 40 A
- 2 conducteurs no 8
- 1 conducteur neutre no 10 (blanc)
- 1 conducteur de mise à la terre no 8 (vert)

En cas de raccordement à un circuit à 3 conducteurs :

Il est possible que les codes locaux permettent l'utilisation d'un cordon d'alimentation (en spirale) pour cuisinière homologué UL, à 3 conducteurs, de 250 V à 40 A ou 50 A. Ce cordon contient 3 fils de cuivre avec cosses à anneau ou cosses ouvertes avec bouts dégagés avec fiche 10-50P de type NEMA d'un côté. Des connecteurs du côté de l'appareil doivent être prévus au point d'entrée du cordon d'alimentation. Cet appareil utilise une prise de courant à 3 conducteurs de type NEMA 10-50R.



Prise murale à 3 fils (10-50R)

Spécifications électriques – Canada seulement

⚠ AVERTISSEMENT



Risque de décharge électrique

Appareil relié à la terre.

Le non-respect de ces instructions peut causer un décès, un incendie ou une décharge électrique.

Si on utilise un conducteur distinct de liaison à la terre lorsque les codes le permettent, il est recommandé qu'un électricien qualifié vérifie que la liaison à la terre est adéquate et la section des fils conforme aux codes locaux.

Vérifier que le raccordement à la source d'électricité et le calibre des conducteurs sont conformes aux prescriptions de la plus récente édition de la norme CSA C22.1, partie 1 – Code canadien de l'électricité et de tout code ou règlement local en vigueur.

Pour obtenir un exemplaire des normes des codes ci-dessus, contacter :

Association canadienne de normalisation
178 Rexdale Blvd.
Toronto, ON M9W 1R3 CANADA

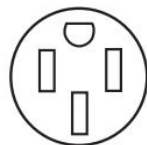
- En cas de doute quant à la qualité de la liaison à la terre de la cuisinière, consulter un électricien qualifié.

Puissance nominale de la cuisinière*		Puissance nominale spécifiée du cordon d'alimentation et de la protection du circuit
120/240 V	120/208 V	A
8,8–16,5 kW	7,8–12,5 kW	40 ou 50**
16,6–22,5 kW	12,6–18,5 kW	50

*La charge NEC calculée est inférieure à la charge totale connectée indiquée sur la plaque signalétique.

**Si l'appareil est branché à un circuit de 50 A, utiliser un cordon de 50 A avec la trousse. Pour les ensembles avec cordon de 50 A nominal, utiliser des trousse conçues pour être utilisées avec une ouverture de raccord d'un diamètre nominal de 1 3/8 po (34,9 mm).

- On recommande d'utiliser un fusible ou un disjoncteur temporisé.
- Cette cuisinière est équipée d'un cordon électrique homologué par la CSA International à brancher dans une prise murale standard 14-50R. Veiller à ce que la prise murale se trouve à proximité de l'emplacement définitif de la cuisinière.



- Ne pas utiliser de câble de rallonge.

INSTALLATION

Déballage de la cuisinière

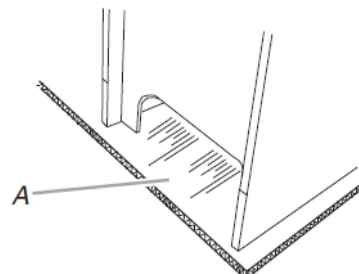
⚠ AVERTISSEMENT

Risque de poids excessif

Utiliser deux personnes ou plus pour déplacer et installer l'appareil.

Le non-respect de cette instruction peut causer une blessure au dos ou d'autres blessures.

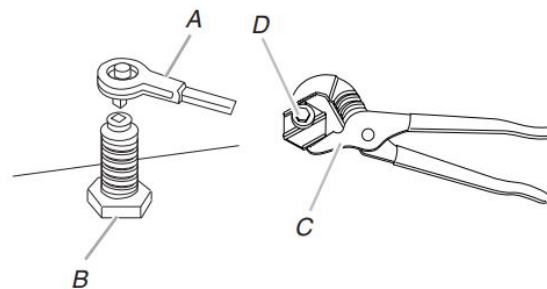
1. Ôter les matériaux d'emballage, le ruban adhésif et la pellicule protectrice de la cuisinière.
2. Retirer les grilles de four et le sachet de pièces de l'intérieur du four.
3. Ne pas enlever la base d'expédition pour l'instant.



A. Base de livraison

4. **Sur les cuisinières avec tiroir de remisage :**

Retirer le tiroir de remisage. Voir la section « Tiroir de remisage ». Déployer les pieds de nivellement arrière d'un demi-tour; utiliser une clé à cliquet de 1/4 po (6,4 mm). Utiliser une clé ou une pince pour abaisser les pieds de nivellement avant d'un demi-tour.



A. Clé à cliquet de 1/4 po (6,4 mm)
B. Pied de nivellement arrière
C. Clé ou pince
D. Pied de nivellement avant

Installation de la bride antibasculement

⚠ AVERTISSEMENT



Risque de basculement

Une personne, enfant ou adulte, peut faire basculer la cuisinière et subir des blessures mortelles.

Fixer la bride antibasculement au plancher ou au mur, conformément aux instructions d'installation.

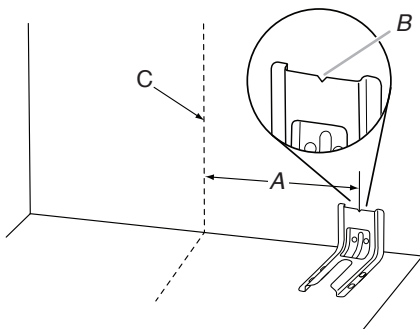
Faire glisser de nouveau la cuisinière de façon à ce que le pied arrière de la cuisinière se trouve dans la fente de la bride antibasculement.

Réengager la bride antibasculement si la cuisinière a été déplacée.

Ne pas faire fonctionner la cuisinière si la bride antibasculement n'est pas installée et engagée.

Le non-respect de ces instructions peut causer un décès ou des brûlures graves aux enfants et aux adultes.

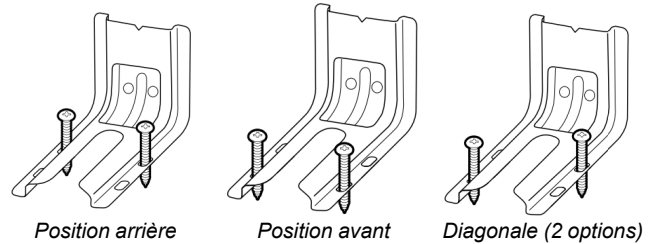
1. Ôter la bride antibasculement fixée par du ruban adhésif à l'intérieur du tiroir de remisage.
2. Déterminer la méthode de montage à utiliser : au plancher ou au mur.
Pour un plancher en pierre ou en briquetage, on peut utiliser la méthode de montage au mur. En cas d'installation de la cuisinière dans une résidence mobile, il est impératif de fixer la cuisinière au sol.
3. Déterminer et marquer l'axe central de l'espace à découper. Le montage peut être effectué du côté gauche ou droit de la découpe. Positionner la bride de montage contre le mur dans l'ouverture, de telle sorte que l'encoche en V de la bride se trouve à $12 \frac{9}{16}$ po (31,9 cm) de l'axe central, comme illustré.



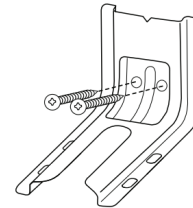
- A. $12 \frac{9}{16}$ po (31,9 cm)
- B. Encoche en V de la bride
- C. Axe central

4. Percer deux trous de $1/8$ po (3 mm) qui correspondent aux trous de la bride selon la méthode de montage déterminée. Voir les illustrations suivantes.

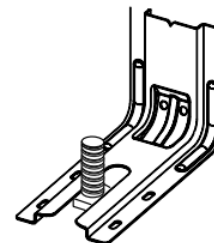
Montage au plancher



Montage mural



5. Utiliser un tournevis cruciforme pour visser la bride antibasculement au mur ou au plancher à l'aide de deux vis no $12 \times 1 \frac{5}{8}$ po (41,3 mm) incluses.
6. Rapprocher la cuisinière le plus près possible de l'ouverture afin de faciliter les raccordements électriques définitifs. Retirer la plaque de transport, le carton ou le panneau de fibres dur de sous la cuisinière.
7. Déplacer la cuisinière vers son emplacement final en s'assurant que le pied de nivellement arrière glisse dans la bride antibasculement.



8. Déplacer la cuisinière vers l'avant sur sa plaque de transport, son carton ou son panneau de fibres dur pour poursuivre l'installation de la cuisinière à l'aide des instructions d'installation suivantes.

Réglage des pieds de nivellement

1. Si un réglage de la hauteur de la cuisinière est nécessaire, utiliser une clé ou une pince pour desserrer les quatre pieds de nivellement.

Cette opération peut être effectuée alors que la cuisinière repose sur sa partie postérieure ou sur deux pieds après avoir été relevée en position verticale.

REMARQUE : Pour placer à nouveau la cuisinière en position verticale, placer un carton ou un panneau de fibres dur devant la cuisinière. À l'aide de deux personnes ou plus, replacer la cuisinière debout sur le carton ou le panneau de fibre.

AVERTISSEMENT



Risque de basculement

Une personne, enfant ou adulte, peut faire basculer la cuisinière et subir des blessures mortelles.

Fixer la bride antibasculement au plancher ou au mur, conformément aux instructions d'installation.

Faire glisser de nouveau la cuisinière de façon à ce que le pied arrière de la cuisinière se trouve dans la fente de la bride antibasculement.

Réengager la bride antibasculement si la cuisinière a été déplacée.

Ne pas faire fonctionner la cuisinière si la bride antibasculement n'est pas installée et engagée.

Le non-respect de ces instructions peut causer un décès ou des brûlures graves aux enfants et aux adultes.

2. Mesurer la distance entre le haut du plan de travail et le plancher.
3. Mesurer la distance entre le haut de la table de cuisson et le bas des pieds de nivellement. Cette distance doit être la même. Dans le cas contraire, régler les pieds de nivellement à la hauteur correcte. Les pieds de nivellement peuvent être desserrés pour ajouter une hauteur maximum de 1 po (2,5 cm). Une longueur minimum de 3/16 po (5 mm) est nécessaire pour engager la bride antibasculement.

REMARQUE : Si un réglage de la hauteur est effectué alors que la cuisinière est debout, incliner la cuisinière vers l'arrière pour régler les pieds avant, puis incliner la cuisinière vers l'avant pour régler les pieds arrière.

4. Lorsque la cuisinière est à la hauteur souhaitée, vérifier que l'espace sous la cuisinière est suffisant pour loger la bride antibasculement. Avant de faire glisser la cuisinière à son emplacement final, vérifier qu'il sera possible de faire glisser la bride antibasculement sous la cuisinière et sur le pied de nivellement arrière avant l'installation de la bride antibasculement.

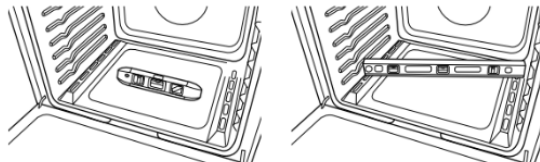
REMARQUE : En cas d'utilisation d'un jeu de garnitures, le dessus de la table de cuisson doit être plus haut que le plan de travail. Voir les instructions d'installation fournie avec le jeu de garnitures pour la hauteur correcte.

Réglage de l'aplomb de la cuisinière

Vérifier si la cuisinière est munie de la fonction Steam Clean (nettoyage à la vapeur) en consultant la section « Entretien de la cuisinière » des instructions d'utilisation.

Pour les cuisinières avec nettoyage à la vapeur :

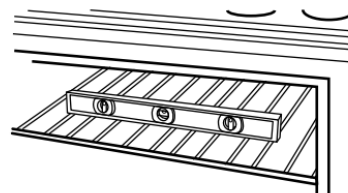
1. En fonction de la taille du niveau, le placer sur le bas du four comme indiqué dans l'une des deux illustrations ci-dessous. Contrôler l'aplomb transversal et dans le sens avant/arrière.



2. Si la cuisinière n'est pas d'aplomb, la tirer de nouveau pour que le pied de nivellement arrière se dégage de la bride antibasculement.
3. Suivre les instructions fournies pour le style 1.

Pour les cuisinières sans nettoyage à la vapeur :

1. Placer une grille plate dans le four.
2. Placer un niveau sur la grille et contrôler l'aplomb de la cuisinière, d'abord transversalement, puis dans le sens avant/arrière.



3. Si la cuisinière n'est pas d'aplomb, la tirer de nouveau pour que le pied de nivellement arrière se dégage de la bride antibasculement.
4. Suivre les instructions fournies pour le style 1.

Style 1 : Cuisinières avec tiroir de remisage :

Utiliser une clé à cliquet de 1/4 po, une clé ou une pince pour ajuster les pieds de nivellement vers le haut ou vers le bas jusqu'à ce que la cuisinière soit d'aplomb. Repousser la cuisinière pour la remettre en place. Vérifier que le pied de nivellement arrière est engagé dans la bride antibasculement.

Raccordement électrique – É.-U. seulement

Cordon d'alimentation

⚠ AVERTISSEMENT



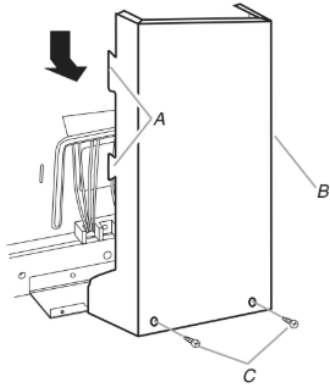
Risque de décharge électrique

Déconnecter la source de courant électrique avant l'entretien.

Utiliser un cordon d'alimentation électrique neuf de 40 A. brancher sur une prise reliée à la terre.

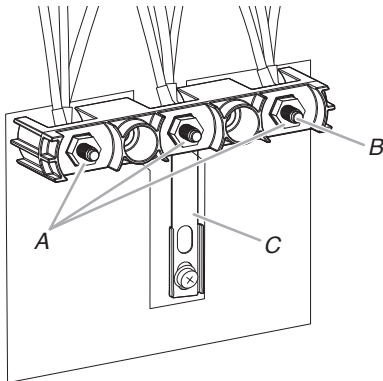
Le non-respect de ces instructions peut causer un décès, un incendie ou une décharge électrique.

1. Débrancher l'alimentation.
2. Ôter les vis du couvercle du bornier situées à l'arrière de la cuisinière. Tirer le couvercle vers le bas et vers soi pour enlever le couvercle de la cuisinière.



- A. Deux onglets de montage de chaque côté
 B. Couvercle du boîtier de branchement
 C. Vis à tête hexagonale

3. Retirer les trois écrous 10-32 à tête hexagonale des bornes.

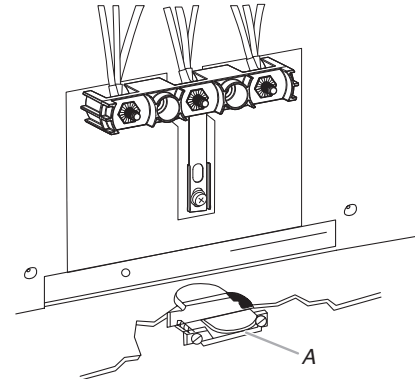


- A. Écrous 10-32 à tête hexagonale
 B. Bornes
 C. Barrette de liaison à la terre

4. Ajouter un serre-câbles.

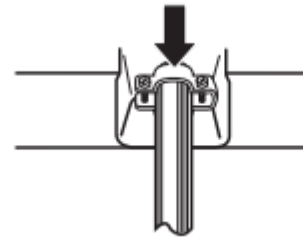
Style 1 : Serre-câbles du câble d'alimentation

- Retirer l'opercule défonçable pour le cordon d'alimentation.
- Ajouter un serre-câbles homologué UL dans l'ouverture.



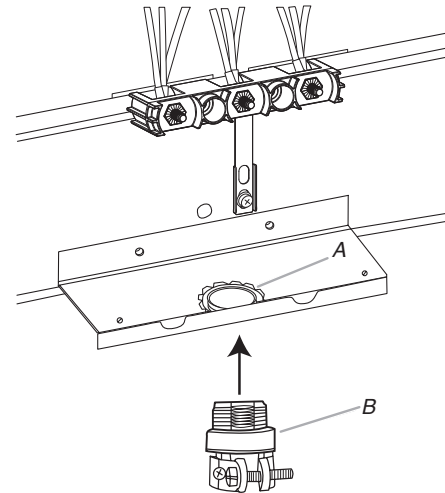
A. Serre-câbles – homologation UL

- Serrer la vis du serre-câbles autour du cordon d'alimentation.



Style 2 : Serre-câbles pour raccordement direct

- Retirer l'opercule défonçable si nécessaire pour le raccordement du conduit flexible.
- Assembler un connecteur de conduit homologué UL dans l'ouverture.



A. Écrou de retenue amovible
 B. Conduit

- Serrer la vis du serre-câbles autour du conduit flexible.


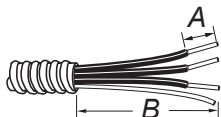

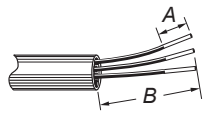


5. Terminer l'installation en suivant les instructions selon le type de connexion électrique :

4 conducteurs (recommandé)

3 conducteurs (si un circuit à 4 conducteurs n'est pas disponible)

Options de Raccordement Électrique

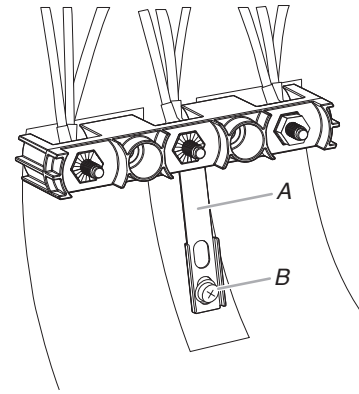
Si le domicile comporte :	Et la connexion est effectuée à :	Voir la section :
Prise murale à 4 fils (type NEMA 14-50R) 	Cordon d'alimentation homologué UL, 250 V minimum, 40 A pour cuisinière	Connexion à 4 conducteurs : Cordon d'alimentation
Direct – 4 fils 	Un boîtier de disjoncteurs ou un sectionneur à fusible	Connexion à 4 conducteurs : Raccordement par câblage direct
A. 3/8 po (1 cm) B. 5 po (12 cm)		
Prise murale à 3 fils (type NEMA 10-50R) 	Cordon d'alimentation homologué UL, 250 V minimum, 40 A pour cuisinière	Connexion à 3 conducteurs : Cordon d'alimentation
Direct – 3 fils 	Un boîtier de disjoncteurs ou un sectionneur à fusible	Connexion à 3 conducteurs : Raccordement par câblage direct
A. 3/8 po (1 cm) B. 3 po (7,6 cm)		

Connexion à 4 conducteurs : Cordon d'alimentation

Utiliser cette méthode dans les cas suivants :

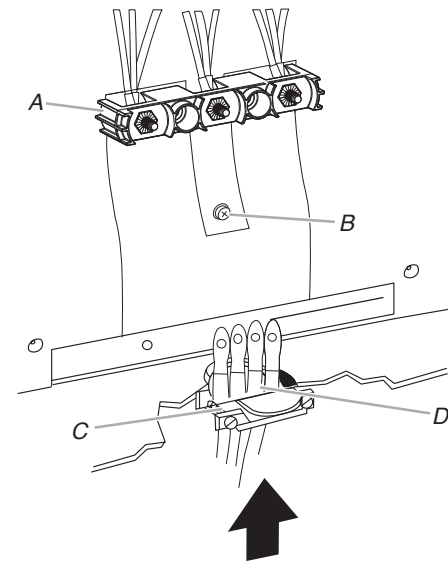
- Nouvelles installations avec circuit de dérivation (1996 NEC)
- Résidences mobiles
- Véhicules récréatifs
- Pour les endroits où il est illégal selon le code local d'effectuer la mise à la terre à partir du neutre.

1. Une partie de la barrette métallique de terre doit être coupée et retirée.



A. Barrette de liaison à la terre métallique
 B. Vis de liaison à la terre

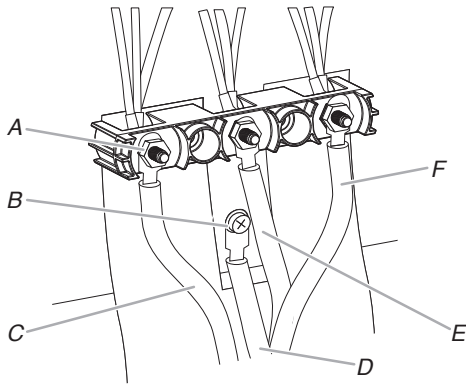
2. À l'aide d'un tournevis cruciforme, retirer la vis de liaison à la terre à l'arrière de la cuisinière. Conserver la vis de liaison à la terre et l'extrémité de la liaison à la terre sous la vis.
3. Passer le cordon d'alimentation par le serre-câbles de la plaque pour cordon/conduit en bas de la cuisinière. Laisser suffisamment de jeu pour raccorder facilement le câblage au boîtier de raccordement.



A. Bornier
 B. Vis de liaison à la terre
 C. Serre-câbles – homologation UL
 D. Câblage du cordon d'alimentation

4. À l'aide d'un tournevis cruciforme, connecter le fil de terre vert du cordon d'alimentation à la cuisinière en serrant la vis de liaison à la terre. Le fil de mise à la terre doit être raccordé en premier.

- À l'aide d'un tourne-écrou de 3/8 po (9,5 mm), connecter le conducteur neutre (blanc) au plot central du bornier au moyen d'un des écrous hexagonaux n° 10-32.



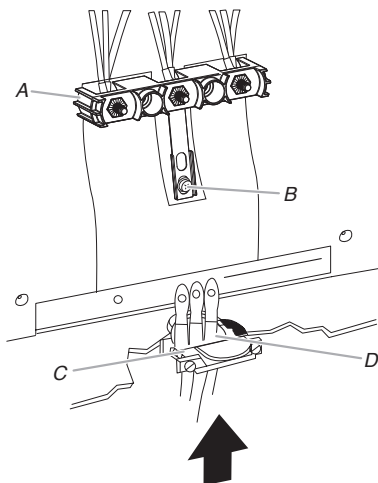
- A. Écrou hexagonal 10-32
 B. Vis de liaison à la terre
 C. Ligne 2 (rouge)
 D. Conducteur vert (liaison à la terre)
 E. Conducteur neutre (centre)
 F. Ligne 1 (noir)

- Brancher la ligne 2 (rouge) et la ligne 1 (noir) aux borniers latéraux à l'aide d'écrous hexagonaux 10-32.
- À l'aide d'une clé dynamométrique, serrer les écrous hexagonaux au couple recommandé de 20 lb/po (2,3 N·m).
REMARQUE : Pour remplacer un cordon d'alimentation, n'utiliser qu'un cordon pour cuisinière classé pour une tension minimum de 250 V à 40 A ou 50 A qui spécifie une utilisation avec une ouverture d'un diamètre nominal de 1 3/8 po (3,5 cm) pour le raccordement et qui possède des cosses.
- Serrer les vis de serre-câbles.
IMPORTANT : Vérifier le serrage des écrous hexagonaux.
- Réinstaller le couvercle du bornier.

Connexion à 3 conducteurs : Cordon d'alimentation

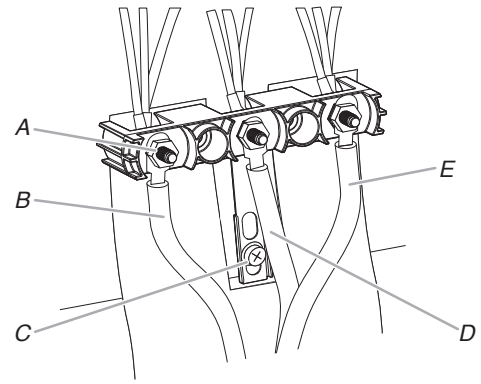
Utiliser cette méthode uniquement si les codes locaux autorisent la connexion du conducteur de mise à la terre du châssis au conducteur du neutre du cordon d'alimentation électrique.

- Passer le cordon d'alimentation par le serre-câbles de la plaque pour cordon/conduit en bas de la cuisinière. Laisser suffisamment de jeu pour raccorder facilement le câblage au boîtier de raccordement.



- A. Bornier
 B. Vis de liaison à la terre
 C. Serre-câbles – homologation UL
 D. Câblage du cordon d'alimentation – grande ouverture

- À l'aide d'un tourne-écrou de 3/8 po (9,5 mm), connecter le conducteur neutre (blanc) au plot central du bornier au moyen d'un des écrous hexagonaux n° 10-32.



- A. Écrou hexagonal 10-32
 B. Ligne 2 (rouge)
 C. Vis de liaison à la terre
 D. Conducteur du neutre (blanc)
 E. Ligne 1 (noir)

- Brancher la ligne 2 (rouge) et la ligne 1 (noir) aux borniers latéraux à l'aide d'écrous hexagonaux 10-32.
- À l'aide d'une clé dynamométrique, serrer les écrous hexagonaux au couple recommandé de 20 lb/po (2,3 N·m).
REMARQUE : Pour remplacer un cordon d'alimentation, n'utiliser qu'un cordon pour cuisinière classé pour une tension minimum de 250 V à 40 A ou 50 A qui spécifie une utilisation avec une ouverture d'un diamètre nominal de 1 3/8 po (3,5 cm) pour le raccordement et qui possède des cosses.
- Serrer les vis de serre-câbles.
IMPORTANT : Vérifier le serrage des écrous hexagonaux.
- Réinstaller le couvercle du bornier.

Raccordement par câblage direct

⚠ AVERTISSEMENT



Risque de décharge électrique

Déconnecter la source de courant électrique avant l'entretien.

Utiliser des conducteurs en cuivre de calibre 8 ou en aluminium de calibre 6.

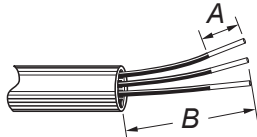
Relier la cuisinière à la terre.

Le non-respect de ces instructions peut causer un décès, un incendie ou une décharge électrique.

Installation d'une connexion directe : Conducteur de cuivre ou d'aluminium

Cette cuisinière peut être raccordée directement au coupe-circuit avec fusible ou au disjoncteur. En fonction de l'alimentation électrique, réaliser le raccordement nécessaire à 3 ou 4 conducteurs.

1. Couper la gaine extérieure sur une longueur de 3 po (7,6 cm) pour exposer les conducteurs. Dénuder chaque fil de sa gaine isolante sur une longueur de 1 po (2,5 cm).



- A. 3/8 po (1 cm)
- B. 3 po (7,6 cm)

2. Laisser suffisamment de jeu pour raccorder facilement les conducteurs au bornier.
3. Terminer le raccordement électrique en fonction du type d'alimentation électrique.

4 conducteurs (recommandé)

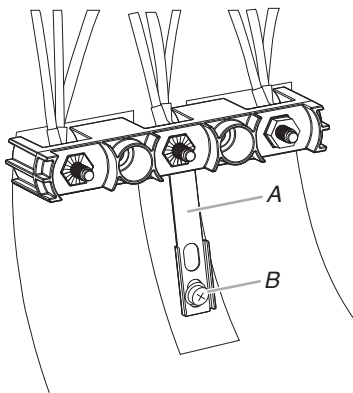
3 conducteurs (si un circuit à 4 conducteurs n'est pas disponible)

Connexion à 4 conducteurs : Raccordement par câblage direct

Utiliser cette méthode dans les cas suivants :

- Nouvelles installations avec circuit de dérivation (1996 NEC)
- Résidences mobiles
- Véhicules récréatifs
- Pour les endroits où il est illégal selon le code local d'effectuer la mise à la terre à partir du neutre.

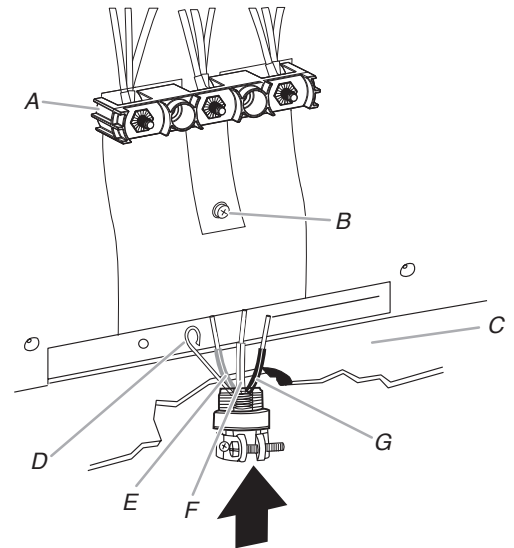
1. Une partie de la barrette métallique de terre doit être coupée et retirée.



- A. Barrette de liaison à la terre métallique
- B. Vis de liaison à la terre

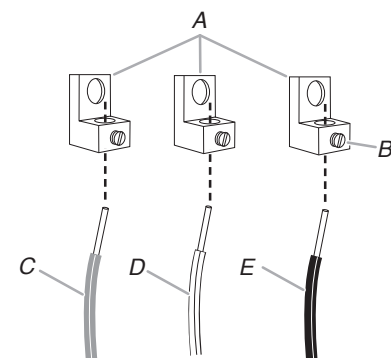
2. À l'aide d'un tournevis cruciforme, retirer la vis de liaison à la terre à l'arrière de la cuisinière. Conserver la vis de liaison à la terre et l'extrémité de la liaison à la terre sous la vis.

3. Tirer les conducteurs à travers le serre-câbles au pied de la cuisinière. Laisser suffisamment de jeu pour raccorder facilement le câblage au boîtier de raccordement.



- A. Bornier
- B. Vis de liaison à la terre
- C. Plaque de cordon/conduit
- D. Fil de mise à la terre nu (vert)
- E. Conducteur de ligne 2 (rouge)
- F. Conducteur du neutre (blanc)
- G. Conducteur de ligne 1 (noir)

4. Connecter les cosses aux conducteurs des lignes 1 (noir), neutre (blanc) et 2 (rouge). Desserrer (ne pas enlever) la vis d'ajustement sur le devant de la cosse et insérer l'extrémité du conducteur nu jusqu'au fond des cosses. Serrer au couple de façon sécuritaire la vis de serrage comme indiqué dans le tableau de spécifications de couple pour fil dénudé suivant.



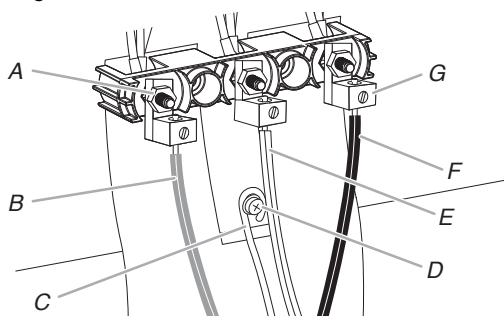
- A. Cosse
- B. Vis de serrage
- C. Conducteur de ligne 2 (rouge)
- D. Conducteur du neutre (blanc)
- E. Conducteur de ligne 1 (noir)

Spécifications de couple pour les fils nus

Serrage des cosses au bornier :
20 lb/po (2,3 N·m).

Calibre AWG	Couple
Conducteur de cuivre de calibre 8	25 lb/po (2,8 N·m)
Conducteur d'aluminium de calibre 6	35 lb/po (4,0 N·m)

- Utiliser un tournevis cruciforme ou à tête hexagonale pour connecter le fil de mise à la terre nu (vert) à la cuisinière avec la vis de liaison à la terre et à la section de liaison à la terre. Le fil de mise à la terre doit être raccordé en premier et ne doit être en contact avec aucune autre borne.
- À l'aide d'un tourne-écrou de 3/8 po, connecter le conducteur neutre (blanc) au plot central du bornier au moyen d'un des écrous hexagonaux no 10-32.



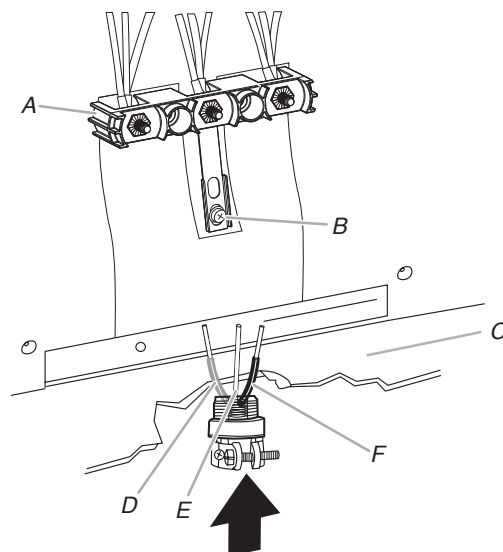
- | | |
|-------------------------------------|---------------------------------|
| A. Écrou 10-32 à tête hexagonale | E. Conducteur du neutre (blanc) |
| B. Ligne 2 (rouge) | F. Ligne 1 (noir) |
| C. Fil de mise à la terre nu (vert) | G. Cosse |
| D. Vis de liaison à la terre | |

- Brancher la ligne 2 (rouge) et la ligne 1 (noir) aux borniers latéraux à l'aide d'écrous hexagonaux 10-32.
- À l'aide d'une clé dynamométrique, serrer les écrous hexagonaux au couple recommandé de 20 lb-po (2,3 N·m).
- Bien serrer les écrous hexagonaux.
IMPORTANT : Vérifier le serrage des écrous hexagonaux.
- Réinstaller le couvercle du bornier.

Connexion à 3 conducteurs : Raccordement direct

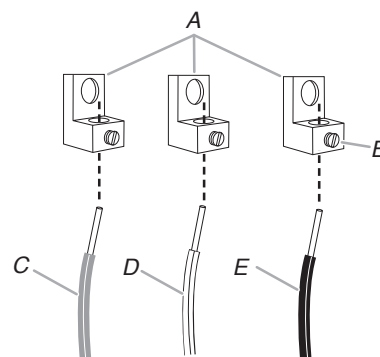
Utiliser cette méthode uniquement si les codes locaux autorisent la connexion du conducteur de mise à la terre au conducteur du neutre de l'alimentation.

- Tirer le câblage à travers le conduit sur la plaque de cordon/conduit en bas de la cuisinière. Laisser suffisamment de jeu pour raccorder facilement le câblage au boîtier de raccordement.



- | | |
|------------------------------|-------------------------------------|
| A. Bornier | D. Conducteur de ligne 2 (rouge) |
| B. Vis de liaison à la terre | E. Fil de mise à la terre nu (vert) |
| C. Plaque de cordon/conduit | F. Conducteur de ligne 1 (noir) |

- Fixer les cosses aux conducteurs de la ligne 2 (rouge), de mise à la terre nu (vert) et de la ligne 1 (noir). Desserrer (ne pas enlever) la vis d'ajustement sur le devant de la cosse et insérer l'extrémité du conducteur nu jusqu'au fond des cosses. Serrer au couple de façon sécuritaire la vis de serrage comme indiqué dans le tableau de spécifications de couple pour fil dénudé suivant.



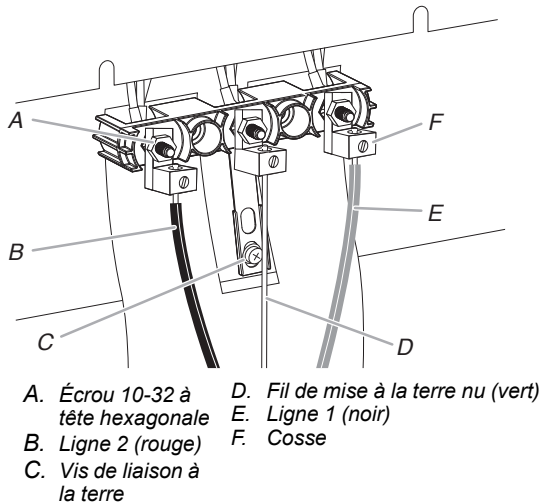
- | | |
|----------------------------------|-------------------------------------|
| A. Cosse | D. Fil de mise à la terre nu (vert) |
| B. Vis de serrage | E. Conducteur de ligne 1 (noir) |
| C. Conducteur de ligne 2 (rouge) | |

Spécifications de couple pour les fils nus

Serrage des cosses au bornier : 20 lb-po (2,3 N·m).

Calibre AWG	Couple
Conducteur de cuivre de calibre 8	25 lb-po (2,8 N·m)
Conducteur d'aluminium de calibre 6	35 lb-po (4,0 N·m)

- À l'aide d'un tourne-écrou de 3/8 po, connecter le conducteur neutre nu (vert) au plot central du bornier au moyen d'un des écrous hexagonaux no 10–32.



- Connecter les conducteurs de la ligne 2 (rouge) et de la ligne 1 (noir) aux bornes externes du bornier avec des écrous hexagonaux no 10-32.
- À l'aide d'une clé dynamométrique, serrer les écrous hexagonaux au couple recommandé de 20 lb-po (2,3 N·m).
- Bien serrer les écrous hexagonaux.
IMPORTANT : Vérifier le serrage des écrous hexagonaux.
- Réinstaller le couvercle du bornier.

Vérifier que la bride antibasculement est bien installée et engagée

Sur les cuisinières avec tiroir de remisage :

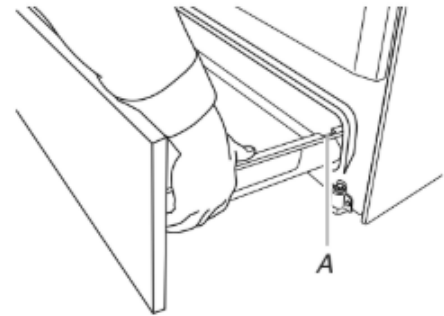
- Retirer le tiroir de remisage. Voir la section « Tiroir de remisage ».
- Au moyen d'une torche électrique, inspecter le dessous de la cuisinière.
- Vérifier visuellement que le pied arrière de la cuisinière se trouve dans la fente de la bride antibasculement.

Tiroir de remisage

Le tiroir de remisage peut être enlevé. Avant de l'enlever, s'assurer que le tiroir est froid et vide.

Retrait :

- Tirer le tiroir de remisage en ligne droite vers l'arrière jusqu'à la butée du tiroir.

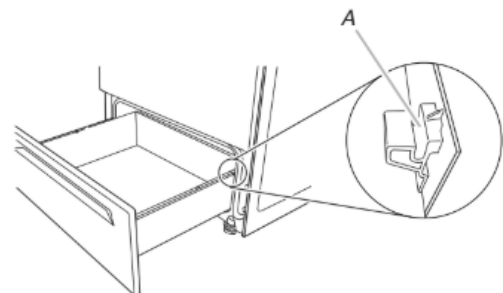


A. Encoche d'arrêt du tiroir

- Soulever l'avant du tiroir et retirer ce dernier.

Remplacer :

- Soulever l'avant du tiroir et placer l'arrière du tiroir dans la cuisinière de façon à ce que l'encoche de butée du tiroir se trouve derrière la glissière du tiroir.
- Abaisser le tiroir de façon à ce que le bord de la glissière s'insère dans l'encoche de la glissière de tiroir.
- Pousser doucement le tiroir dans la cuisinière.



A. Glissière de tiroir engagée.

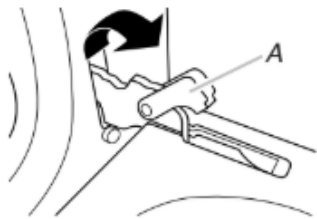
REMARQUE : Lorsque le tiroir est correctement installé, les glissières de la base s'engagent dans les glissières arrière du fond du tiroir et le tiroir lui-même ne s'incline pas lorsqu'on place des objets à l'intérieur.

Porte du four

Il n'est pas recommandé d'enlever la porte du four pour une utilisation normale. Toutefois, s'il est nécessaire de l'enlever, s'assurer que le four est éteint et froid. Ensuite, suivre les instructions ci-dessous. La porte du four est lourde.

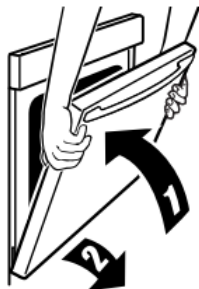
Retrait :

1. Ouvrir la porte du four complètement.
2. Pincer le loquet de charnière entre les deux doigts et le tirer vers l'avant. Répéter ces opérations pour l'autre côté de la porte du four.



A. Loquet de charnière

3. Fermer la porte du four aussi loin que possible.
4. Soulever la porte du four en la retenant de chaque côté. Continuer de maintenir la porte du four fermée et la dégager du châssis de la porte du four.



Remplacer :

1. Insérer les deux bras de suspension dans la porte.



2. Ouvrir la porte du four. On devrait entendre un déclic lors de la mise en place de la porte.
3. Replacer les leviers de charnière à la position verrouillée. Vérifier que la porte s'ouvre et se ferme facilement. Si ce n'est pas le cas, répéter la procédure pour enlever et reposer la porte.

Achever l'installation

1. Vérifier que toutes les pièces sont maintenant installées. S'il reste une pièce, passer en revue les différentes étapes pour découvrir laquelle aurait été oubliée.
2. Vérifier la présence de tous les outils.
3. Éliminer/recycler tous les matériaux d'emballage.

4. Vérifier que la cuisinière est d'aplomb. Voir la section « Réglage de l'aplomb de la cuisinière ».
5. Utiliser une solution d'eau tiède et de nettoyant ménager doux pour éliminer tout résidu de cire laissé par les matériaux d'emballage. Sécher soigneusement avec un chiffon doux. Pour obtenir plus d'informations, voir la section « Entretien et réparation de la cuisinière ».
6. Lire le Guide de démarrage rapide et le Guide de commande en ligne.
7. Brancher le cordon électrique dans la prise de courant appropriée. Mettre l'appareil sous tension.
8. Mettre en marche les brûleurs de surface et le four. Consulter le Guide de démarrage rapide et le Guide de commande pour obtenir des instructions précises sur le fonctionnement de la cuisinière.

Si la cuisinière ne fonctionne pas, contrôler ce qui suit :

- Le fusible domestique est intact et bien visé ou le disjoncteur n'est pas ouvert.
- La cuisinière est branchée sur une prise reliée à la terre.
- La prise de courant est correctement alimentée.

IMPORTANT : Si le tableau de commande de la cuisinière affiche le code d'erreur « F9 » ou « F9, E0 », cela peut signifier que le câblage de la prise électrique est défectueux. Déconnecter la source de courant électrique et contacter un électricien qualifié pour qu'il contrôle le circuit d'alimentation électrique.

- Consulter la section « Dépannage » en ligne.

Après 5 minutes de fonctionnement de la cuisinière, vérifier la chaleur. Si la cuisinière est froide, l'éteindre et contacter un électricien qualifié.

Déplacement de la cuisinière

⚠ AVERTISSEMENT



Risque de basculement

Une personne, enfant ou adulte, peut faire basculer la cuisinière et subir des blessures mortelles.

Fixer la bride antibasculement au plancher ou au mur, conformément aux instructions d'installation.

Faire glisser de nouveau la cuisinière de façon à ce que le pied arrière de la cuisinière se trouve dans la fente de la bride antibasculement.

Réengager la bride antibasculement si la cuisinière a été déplacée.

Ne pas faire fonctionner la cuisinière si la bride antibasculement n'est pas installée et engagée.

Le non-respect de ces instructions peut causer un décès ou des brûlures graves aux enfants et aux adultes.

Lorsqu'on déplace la cuisinière, la faire glisser sur une planche de carton ou en matériau dur pour éviter d'endommager le revêtement du sol.

Si le déplacement de la cuisinière est nécessaire pour le nettoyage ou l'entretien :

Cuisinières alimentées par cordon d'alimentation :

1. Faire glisser la cuisinière vers l'avant.
2. Débrancher le cordon d'alimentation électrique.
3. Effectuer le nettoyage ou l'entretien.
4. Brancher le cordon d'alimentation électrique.
5. Vérifier que la bride antibasculement est bien installée et engagée. Voir la section « Vérifier que la bride antibasculement est bien installée et engagée ».
6. Vérifier que la cuisinière est d'aplomb.

Pour les cuisinières avec câblage direct :

⚠ AVERTISSEMENT



Risque de décharge électrique

Déconnecter la source de courant électrique avant l'entretien.

Replacer pièces et panneaux avant de faire la mise en marche.

Le non-respect de cette instruction peut causer un décès ou une décharge électrique.

1. Débrancher l'alimentation.
2. Faire glisser la cuisinière vers l'avant.
3. Effectuer le nettoyage ou l'entretien.
4. Vérifier que la bride antibasculement est bien installée et engagée. Voir la section « Vérifier que la bride antibasculement est bien installée et engagée ».
5. Vérifier que la cuisinière est d'aplomb.
6. Rebrancher l'alimentation.

SEGURIDAD DE LA ESTUFA

Su seguridad y la de los demás son muy importantes.

Hemos incluido muchos mensajes importantes de seguridad en este manual y en su electrodoméstico. Lea y obedezca siempre todos los mensajes de seguridad.



Este es el símbolo de advertencia de seguridad.

Este símbolo le llama la atención sobre peligros potenciales que pueden ocasionar la muerte o una lesión a usted y a los demás.

Todos los mensajes de seguridad irán a continuación del símbolo de advertencia de seguridad y de la palabra "PELIGRO" o "ADVERTENCIA". Estas palabras significan:

⚠ PELIGRO

Usted puede morir o sufrir una lesión grave si no sigue de inmediato las instrucciones.

⚠ ADVERTENCIA

Si no sigue las instrucciones, puede morir o sufrir una lesión grave.

Todos los mensajes de seguridad le dirán cuál es el peligro potencial, cómo reducir las posibilidades de sufrir una lesión y lo que puede suceder si no se siguen las instrucciones.

La estufa no se volteará durante el uso normal. Sin embargo, la estufa se puede voltear si aplica mucha fuerza o peso sobre la puerta abierta sin tener el soporte antivuelco sujeto al piso adecuadamente.

⚠ ADVERTENCIA

Peligro de vuelco

Un niño o un adulto puede volcar accidentalmente la estufa y resultar muerto.

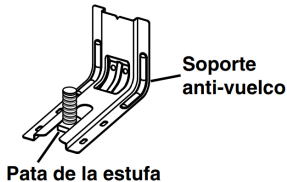
Instale el soporte antivuelco fijado al piso o a la pared según las instrucciones de instalación.

Deslice la estufa hacia atrás de modo que la pata trasera quede enganchada en la ranura del soporte antivuelco.

Si traslada de lugar la estufa, vuelva a asegurar el soporte antivuelco.

No ponga a funcionar la estufa sin tener el soporte antivuelco instalado y asegurado.

No seguir estas instrucciones puede ocasionar la muerte o quemaduras graves en niños y adultos.



Para verificar que el soporte anti-vuelco esté instalado y asegurado:

- **Deslice la estufa hacia adelante.**
- **Verifique que el soporte anti-vuelco esté bien sujeto al piso o a la pared.**
- **Deslice la estufa de modo tal que la pata trasera quede debajo del soporte anti-vuelco.**
- **Consulte las instrucciones de instalación para ver más detalles.**

INSTRUCCIONES DE SEGURIDAD IMPORTANTES

ADVERTENCIA: Para reducir el riesgo de incendio, choque eléctrico o lesiones personales al usar el electrodoméstico, siga precauciones básicas, entre ellas las siguientes:

■ **ADVERTENCIA:** PARA REDUCIR EL RIESGO DE VUELCO DE LA ESTUFA, LA MISMA DEBE ASEGURARSE CON LA INSTALACIÓN ADECUADA DE DISPOSITIVOS ANTIVUELCO. PARA VERIFICAR SI LOS DISPOSITIVOS ESTÁN INSTALADOS ADECUADAMENTE, DESLICE LA ESTUFA HACIA ADELANTE, REVISE QUE EL SOPORTE ANTIVUELCO ESTÉ BIEN SUJETO AL PISO O A LA PARED Y DESLICE LA ESTUFA HACIA ATRÁS DE MODO QUE LA PATA TRASERA QUEDE DEBAJO DEL SOPORTE ANTIVUELCO.

- **ADVERTENCIA:** Peligro de incendio: No guarde artículos en las superficies de cocción. Nunca deje nada en la superficie cuando no esté atendida y no esté en uso. Nunca coloque artículos inflamables o de plástico en o cerca de la superficie.
- **PRECAUCIÓN:** No almacene artículos que interesen a los niños en los armarios que estén encima de un electrodoméstico o en el soporte de un electrodoméstico; al trepar los niños encima del electrodoméstico para alcanzar algún objeto, podrían sufrir una lesión grave.

CONSERVE ESTAS INSTRUCCIONES

INSTRUCCIONES DE SEGURIDAD IMPORTANTES

- **Instalación correcta:** El electrodoméstico, cuando se instale, deberá ser conectado a tierra de acuerdo con los códigos locales, o en la ausencia de códigos locales, con el Código nacional eléctrico (*National Electrical Code*), *ANSI/NFPA 70* o el Código canadiense de electricidad (*Canadian Electrical Code*), *CSA C22.1-02*. En Canadá, el electrodoméstico se debe conectar a tierra de acuerdo con el Código Canadiense de Electricidad. Cerciórese de que la instalación y puesta a tierra del electrodoméstico sean efectuadas adecuadamente por un técnico calificado.
- Nunca use el electrodoméstico como calefacción del cuarto.
- No deje a los niños solos. No se debe dejar a los niños sin supervisión en el área donde el electrodoméstico esté en uso. Jamás se les debe permitir que se sienten ni se paren en parte alguna del electrodoméstico.
- Use ropa apropiada: nunca debe ponerse ropa holgada o que quede colgando mientras esté usando el electrodoméstico.
- Servicio del usuario: no repare ni reemplace pieza alguna del electrodoméstico a menos que se recomiende específicamente en el manual. Cualquier otro servicio se debe dejar en las manos de un técnico competente.
- Almacenaje en o sobre el electrodoméstico: los materiales inflamables no deben almacenarse en el horno o cerca de las unidades exteriores.
- Este electrodoméstico no ha sido diseñado para almacenar objetos.
- No use agua en incendios provocados por grasa: el incendio o la llama o use un extinguidor de tipo espuma o químico seco.
- No use piezas de repuesto que no hayan sido recomendadas por el fabricante (por ejemplo, piezas hechas en casa con una impresora 3D).
- Use solo agarradores de ollas que estén secos. Los agarradores de ollas húmedos o mojados en las superficies calientes pueden ocasionar quemaduras por vapor. No deje que la agarradera toque los elementos calefactores calientes. No use una toalla ni otros paños voluminosos.
- **NO TOQUE LAS UNIDADES EXTERIORES O ÁREAS CERCA DE LAS UNIDADES** – Las unidades exteriores podrían estar calientes no obstante su color sea oscuro. Las áreas cercanas a las unidades exteriores se pueden calentar lo suficiente para ocasionar quemaduras. Durante y después del uso, no toque ni deje que la ropa u otros materiales inflamables toquen las unidades exteriores o las áreas cercanas a las unidades hasta que haya transcurrido tiempo suficiente para que se enfríen. Entre esas áreas están los elementos de bobina, la superficie de cocción y las superficies que están frente a la superficie de cocción.
- Use cacerolas de tamaño apropiado – El electrodoméstico está equipado con una o más superficies de tamaño distinto. Seleccione utensilios que tengan la parte inferior plana y lo suficientemente grande para cubrir el elemento calefactor de la unidad exterior. El uso de utensilios de menor tamaño expondrá una porción del elemento calefactor a contacto directo y puede ocasionar que la ropa se incendie. La relación apropiada entre el utensilio y el quemador también mejorará el rendimiento energético.
- Nunca deje sin supervisión las unidades exteriores a fuego alto. Los aceites de cocina y las grasas animales son inflamables, los derrames por ebullición ocasionan humo y las salpicaduras grasosas pueden incendiarse.
- Cerciórese de que las charolas reflectoras o platillos para goteo estén en su lugar: la ausencia de éstos durante la cocción puede ocasionar daños al cableado o los componentes que están debajo.
- Forros protectores: No use papel de aluminio para forrar los platillos para goteo de las unidades exteriores o la parte inferior del horno, excepto como lo sugiera el manual. La instalación incorrecta de estos forros puede dar lugar a riesgos de choque eléctrico o incendio.
- Utensilios de cocina vidriados: solo algunos tipos de utensilios de vidrio, vitrocerámica, cerámica, loza de barro u otros utensilios vidriados son adecuados para uso en la superficie de cocción sin que se rompan debido a cambios repentinos de temperatura.
- Los mangos de los utensilios deben colocarse hacia adentro y no deben extenderse hasta las unidades exteriores adyacentes – Para reducir riesgos de quemaduras, incendio de materiales inflamables y salpicaduras debido a contacto accidental con el utensilio, el mango del utensilio debe colocarse hacia adentro y no debe extenderse hasta las unidades exteriores adyacentes.
- No remoje los elementos calefactores desmontables: nunca se deben sumergir los elementos calefactores en el agua.
- No cocine en una superficie de cocción quebrada: si la superficie de cocción se quiebra, las soluciones de limpieza y los derrames pueden penetrar en la superficie de cocción y dar lugar a un riesgo de choque eléctrico. Comuníquese de inmediato con un técnico competente.
- Limpie la superficie de cocción con cuidado – Si usa una esponja o un paño mojado para limpiar los derrames en el área de cocción caliente, tenga cuidado para evitar quemaduras por vapor. Algunos productos de limpieza pueden producir gases nocivos al ser aplicados en una superficie caliente.
- Tenga cuidado al abrir la puerta: deje que salga el aire caliente o el vapor antes de quitar o volver a colocar alimentos.
- No ponga a calentar recipientes de alimentos cerrados: la acumulación de presión puede hacer que el recipiente explote y ocasione lesiones.
- Mantenga los ductos de ventilación del horno sin obstrucciones.
- Colocación de las parrillas del horno: siempre coloque las parrillas del horno en el lugar deseado mientras el horno esté frío. Si es necesario mover la parrilla mientras el horno está caliente, no deje que la agarradera entre en contacto con la resistencia caliente del horno.

CONSERVE ESTAS INSTRUCCIONES

INSTRUCCIONES DE SEGURIDAD IMPORTANTES

- NO TOQUE LOS ELEMENTOS CALEFACTORES NI LAS SUPERFICIES INTERIORES DEL HORNO. Los elementos calefactores podrían estar calientes, aun si están de color oscuro. Las superficies interiores de un horno se calientan lo suficiente como para causar quemaduras. Durante y después del uso, no toque, ni deje que la ropa u otros materiales inflamables entren en contacto con los elementos de calentamiento o las superficies interiores del horno hasta que hayan tenido tiempo suficiente para enfriarse. Otras superficies del electrodoméstico pueden calentarse lo suficiente como para causar quemaduras: entre esas superficies están los orificios de ventilación del horno y las superficies cercanas a esos orificios, las puertas del horno y las ventanas de las puertas del horno.

- Se debe tener cuidado para evitar que el papel aluminio y las sondas para carne entren en contacto con los elementos calefactores.

Para las estufas con autolimpieza –

- **PRECAUCIÓN:** NO DEJE ALIMENTOS O UTENSILIOS PARA COCINAR, ETC., EN EL HORNO DURANTE EL MODO DE FUNCIONAMIENTO AUTOLIMPIEZA PIROLÍTICA.
- No limpie la junta de la puerta. La junta de la puerta es esencial para un cierre hermético. Deberá tenerse cuidado de no frotar, dañar ni mover la junta.

- No use limpiadores para horno – No deberá usarse ningún limpiador para horno comercial ni revestimiento protector para hornos de ninguna clase dentro ni alrededor de ninguna parte del horno.
- Limpie solamente las partes que figuran en el manual.
- Antes de hacer la autolimpieza del horno – Quite la charola para asar a la parrilla y otros utensilios.

Para unidades con campana de ventilación –

- Limpie las campanas de ventilación con frecuencia – No se debe dejar que la grasa se acumule en la campana o en el filtro.
- Al flamear los alimentos debajo de la campana, encienda el ventilador.

Para estufas y hornos inteligentes habilitados

- Operación remota: este electrodoméstico es configurable para autorizar la operación remota en cualquier momento. No almacene materiales inflamables o artículos sensibles a la temperatura en el interior, en o cerca de la superficie del electrodoméstico.

CONSERVE ESTAS INSTRUCCIONES

MANTENIMIENTO Y CUIDADO DE LA ESTUFA

Limpieza general

IMPORTANTE: antes de la limpieza, asegúrese de que todos los controles estén apagados y que el horno y la superficie de cocción estén fríos. Siempre siga las instrucciones de las etiquetas de los productos de limpieza.

En primer lugar, se sugiere el empleo de jabón, agua y una esponja o paño suave, salvo que se indique lo contrario.

SUPERFICIES EXTERIORES DE ESMALTE DE PORCELANA (en algunos modelos)

Los derrames de alimentos que contienen ácidos, como vinagre y tomate, deben limpiarse apenas se enfríe por completo la estufa. Esos derrames pueden afectar el acabado.

Método de limpieza:

- Limpiavidrios, limpiador líquido suave o estropajo no abrasivo Limpie cuidadosamente alrededor de la placa con el número de modelo/serie/valores nominales porque el fregado puede borrar los números.
- Affresh®† Limpiador para cocina y electrodomésticos, número de referencia W10355010 (no se incluye):

Para obtener información de contacto, consulte la Guía rápida de inicio.

ACERO INOXIDABLE (en algunos modelos)

NOTA: Para evitar daños a las superficies de acero inoxidable, no use estropajos precargados con jabón, limpiadores abrasivos, limpiador de superficies de cocción, estropajos de lana de acero, paños ásperos ni toallas de papel abrasivas. Se podrían producir daños en las superficies de acero inoxidable, incluso aunque solo se usen una vez o de forma limitada.

Método de limpieza:

Frote en la dirección de la veta para evitar daños.

- Limpiador de superficies de cocción affresh® número de referencia W10355016 (no se incluye):
Para obtener información de contacto, consulte la Guía rápida de inicio.

PINTURA METÁLICA (en algunos modelos)

No use productos de limpieza abrasivos, limpiadores con blanqueador, removedores de óxido, amoníaco ni hidróxido de sodio (lejía), ya que se pueden manchar las superficies pintadas.

LIMPIEZA DE LA SUPERFICIE DE COCCIÓN DE VITROCERÁMICA

Método de Limpieza:

IMPORTANTE: Los raspadores para superficies de cocción pueden dañar el revestimiento y disminuir potencialmente el rendimiento de la limpieza.

1. Asegúrese de que la superficie de cocción se ha enfriado a temperatura ambiente.
2. Cubra los alimentos/residuos con agua durante un mínimo de 5 minutos. Asegúrese de cubrir toda la zona afectada.
3. Limpie con una esponja no abrasiva.

NOTA: Si el agua se seca o los restos de comida persisten en la superficie de cocción, repita los pasos 2 y 3.

CONTROLES DE LA SUPERFICIE DE COCCIÓN

Para evitar daños en los controles de la superficie de cocción, no use lana de acero, productos de limpieza abrasivos ni productos de limpieza para hornos.

Para evitar daños, no remoje las perillas. Cuando vuelva a colocar las perillas, asegúrese de que estén en la posición de apagado.

En algunos modelos, no retire los sellos que hay debajo de las perillas.

Método de Limpieza:

- Agua y jabón: Tire de las perillas en sentido recto para retirarlas del panel de control.

PANEL DE CONTROL Y EXTERIOR DE LA PUERTA DEL HORNO

Para evitar daños en el panel de control, no use productos de limpieza abrasivos, estropajos de lana de acero, paños de lavar ásperos ni toallas de papel abrasivas.

Método de Limpieza:

- Limpiavidrios y un paño o una esponja suave: Aplique el limpiavidrios en una esponja o paño suave, no directamente sobre el panel.
- Affresh® para Cocina y Electrodomésticos, Número de Pieza W10355010 (no se incluye):
Para obtener información de contacto, consulte la Guía rápida de inicio.

ELEMENTOS DE LOS SERPENTINES (en algunos modelos)

Método de Limpieza:

- Paño húmedo: Asegúrese de que las perillas de control estén APAGADAS y que los elementos estén fríos.

No las limpie ni las sumerja en agua. Si hay suciedad, esta se quemará cuando se caliente.

TAZONES DE LOS QUEMADORES (en algunos modelos)

Antes de extraer o de volver a colocar los elementos de serpentines y los tazones de los quemadores, asegúrese de que estén fríos y de que las perillas de control estén en la posición de APAGADO.

Para quitar el elemento del serpentín, empuje el borde del elemento hacia el receptáculo. Levántelo lo suficiente como para despejar el tazón del quemador. Jale el elemento del serpentín directamente hacia fuera del receptáculo para sacarlo. Levante y saque el tazón del quemador.

Método de Limpieza:

Tazones cromados de los quemadores

Lave en agua jabonosa tibia con frecuencia. (No se recomienda lavar los tazones cromados en el lavavajillas.) Puede usarse un limpiador abrasivo suave y un estropajo de plástico para quitar las manchas rebeldes.

Para los tazones con suciedad profunda, coloque una toalla de papel humedecida con amoníaco sobre las manchas y deje en remojo por un periodo corto; después, restriegue suavemente con un estropajo de plástico.

SUPERFICIE DEBAJO DE LA SUPERFICIE DE COCCIÓN (en algunos modelos)

La superficie de cocción con serpentines se puede levantar, lo que facilita el acceso para limpiar debajo. Levante la superficie de cocción sosteniéndola por las esquinas hasta que el soporte encaje en su lugar.

Método de Limpieza:

- Limpiavidrios limpiador líquido suave o estropajo no abrasivo.
- Affresh® para Cocina y Electrodomésticos, Número de Pieza W10355010 (no se incluye):
Para obtener información de contacto, consulte la Guía Rápida de Inicio.

Para evitar dañar la estufa, no quite la superficie de cocción.

†affresh® es una marca registrada de Whirlpool, U.S.A.

PARRILLAS DEL HORNO

Método de Limpieza:

- Estropajo de lana de acero
- Para las parrillas que han cambiado de color y que no se deslizan con facilidad, la aplicación de una capa ligera de aceite vegetal en las guías de la parrilla ayudará a que se deslicen con mayor facilidad.
- Lavavajillas (solo para el depósito de agua de la parrilla de vapor, no las demás parrillas): Si bien el depósito de agua es resistente, puede perder el brillo y/o cambiar de color si se lo lava en la lavavajillas.

CAJÓN DE ALMACENAMIENTO

Verifique que el cajón de almacenamiento esté frío y vacío antes de limpiarlo.

Método de Limpieza:

- Detergente suave

CAVIDAD DEL HORNO

Dependiendo de su modelo, utilice regularmente el ciclo Limpieza a vapor o Autolimpieza para limpiar las salpicaduras del horno.

No use limpiadores para horno.

Los derrames de alimentos deben limpiarse cuando el horno se enfría. A altas temperaturas, los alimentos reaccionan con la porcelana. Esto puede dar lugar a manchas, marcas, picaduras o manchas blancas tenues.

Método de Limpieza:

- Ciclo de limpieza: Consulte la sección "Ciclo de Autolimpieza" o "Ciclo de Limpieza a Vapor".

Ciclo de Autolimpieza (en algunos modelos)

⚠ ADVERTENCIA



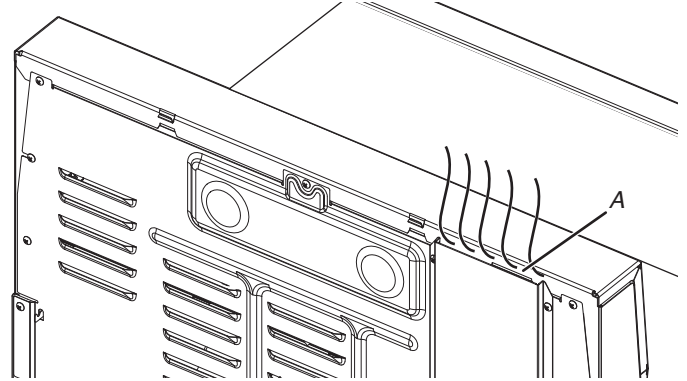
Peligro de quemaduras

- No toque el horno durante el ciclo de Autolimpieza.**
- Mantenga a los niños lejos del horno durante el ciclo de Autolimpieza.**
- No seguir estas instrucciones podría ocasionar quemaduras.**

IMPORTANTE: La salud de algunas aves es extremadamente sensible a los humos que se desprenden durante el ciclo de Autolimpieza. La exposición a las emanaciones puede ocasionar la muerte de ciertas aves. Siempre traslade las aves a otra habitación cerrada y bien ventilada.

Mantenga la estufa bien ventilada durante el ciclo de Autolimpieza; esto ayudará a que haya menos calor, olores y humo.

No bloquee las ventilaciones del horno durante el ciclo de Autolimpieza. El aire debe moverse con libertad. En función de su modelo, consulte "Ventilación del horno" o "Ventilaciones del horno" en su Guía de Inicio Rápido.



A. Ducto de ventilación del horno

No limpie, frote, dañe ni mueva la junta de la puerta del horno.

Prepare la Estufa:

- Retire el recipiente para asar, la parrilla, los utensilios de cocina y los de hornear, todos los utensilios de cocción, las parrillas del horno, el papel de aluminio y, en algunos modelos, la sonda de temperatura del horno.
- Use un paño húmedo para limpiar el borde interior de la puerta y el área de 1 1/2" (3,8 cm) alrededor del marco de la cavidad interna del horno, con cuidado de no mover ni doblar la junta.
- Retire cualquier suciedad suelta para reducir el humo y evitar daños. A altas temperaturas, los alimentos reaccionan con la porcelana. Esto puede dar lugar a manchas, marcas, picaduras o manchas blancas tenues. Esto no afectará los resultados de la cocción.
- Retire los objetos de plástico de la superficie de cocción, ya que pueden derretirse.
- Saque todos los objetos del cajón de almacenamiento.

Funcionamiento del Ciclo

IMPORTANTE: Si la porcelana se calienta o se enfría sobre el acero en el horno, se pueden producir cambios de color, pérdida de brillo, pequeñas fisuras y sonidos de estallido.

El ciclo de Autolimpieza usa temperaturas muy altas que queman la suciedad, convirtiéndola en ceniza.

Una vez que se haya enfriado el horno por completo, quite las cenizas con un paño húmedo. Para evitar la rotura del vidrio, no le aplique un paño húmedo y frío al vidrio interior de la puerta antes de que se haya enfriado por completo.

Para detener el ciclo de Autolimpieza en cualquier momento, presione CANCELAR u APAGADO/CANCELAR. Si la temperatura es demasiado alta, la puerta del horno permanecerá bloqueada y aparecerán en la pantalla "enfriamiento" y "bloqueado" o "🔒".

Cuando aparece "🔒" en la pantalla, no se puede abrir la puerta del horno. Para evitar daños a la puerta, no la fuerce para abrirla cuando se muestre "🔒" en la pantalla.

Antes de la autolimpieza, asegúrese de que la puerta esté completamente cerrada; de lo contrario, no se bloqueará ni comenzará el ciclo de Autolimpieza.

Una vez que se haya alcanzado la temperatura para la limpieza, el control electrónico requiere que transcurran 12 horas antes de poder comenzar otro ciclo de Autolimpieza.

La luz del horno no funcionará durante el ciclo de Autolimpieza.

Control Electrónico del Horno con Tiempo de Limpieza Ajustable (en algunos modelos)

El ciclo de Autolimpieza puede ajustarse entre 2 horas y 30 minutos y 5 horas en incrementos de 30 minutos. Los tiempos de limpieza sugeridos son de 2 horas y 30 minutos para suciedad ligera y de 5 horas para suciedad intensa. Los últimos 30 minutos del ciclo son para el enfriamiento.

IMPORTANTE: Cuando la superficie de cocción esté en uso, el ciclo de Autolimpieza estará desactivado. Cuando el ciclo de Autolimpieza esté en uso, la superficie de cocción estará bloqueada.

Para usar la autolimpieza:

1. Presione LIMPIAR o AUTOLIMPIEZA.
2. Presione los botones de flecha "+" o "-" de Temperatura/Tiempo o los botones "arriba" o "abajo" para ingresar el tiempo deseado para el ciclo de Autolimpieza.
3. Presione INICIO.
Las puertas de los hornos se bloquearán automáticamente. Aparecerán en la pantalla las luces indicadoras de Puerta bloqueada y Limpiar. También aparecerá en la pantalla el tiempo restante.
4. Cuando se haya terminado el ciclo de Autolimpieza y el horno se enfríe, se apagarán las luces indicadoras de Puerta bloqueada y Limpiar.
5. Una vez que se haya enfriado el horno por completo, quite las cenizas con un paño húmedo.

Para salir del ciclo de Autolimpieza antes de que finalice, presione CANCELAR u APAGADO/CANCELAR. La puerta se desbloqueará una vez que se enfríe el horno.

Steam Clean (Limpieza con vapor) (en algunos modelos)

IMPORTANTE: No use limpiadores ni otros aditivos con Steam Clean (Limpieza con vapor).

La función Steam Clean (Limpieza con vapor) está diseñada para la limpieza ligera del piso de la cavidad del horno. Use la función Steam Clean (Limpieza con vapor) lo antes posible después de que se hayan producido derrames. Cuanto más tiempo transcurra y más se seque un derrame en el horno, es posible que sea más difícil de quitar.

Espere a que la estufa se enfríe a temperatura ambiente antes de utilizar la función Steam Clean (limpieza con vapor). Si la cavidad del horno está a más de 170 °F (77 °C), en la pantalla aparecerá "HOT" (Caliente) y la función Steam Clean (Limpieza con vapor) no se activará hasta que el horno se enfríe.

- Quite todas las parrillas y accesorios de la cavidad del horno.
- Para obtener resultados óptimos, vierta 12 oz (355 mL) de agua destilada o filtrada sobre el piso del horno.
- La función Steam Clean (Limpieza con vapor) tardará en total 50 minutos. Aparecerá "End" (Fin) en la pantalla al final del ciclo.

IMPORTANTE: Dado que el agua de la base del horno estará caliente, no abra el horno durante el ciclo Steam Clean (Limpieza con vapor).

Presione la tecla Cancel (Cancelar) en cualquier momento para terminar el ciclo. La pantalla regresará a la hora del día.

Consejos útiles

- Una vez que se haya completado el ciclo Steam Clean (Limpieza con vapor), retire toda el agua y los residuos que queden en el piso del horno con una esponja o un paño.
- Seque la humedad restante del interior de la puerta del horno, los lados interiores de la cavidad del mismo y la superficie de cocción.
- Use un cepillo suave o un raspador de plástico para limpiar el interior del horno. Esto puede ayudar con manchas más rebeldes.
- Si queda algo suciedad, ponga a funcionar un segundo ciclo de Steam Clean (Limpieza con vapor) para ayudar a ablandar los desechos y que se quiten con más facilidad.
- Use Steam Clean (Limpieza con vapor) en derrames pequeños, como queso o salsa de pizza o bocadillos, o goteos de guisados.
- Es posible que sea necesario restregar vigorosamente para retirar la mayor parte de la suciedad de los derrames de alimentos que contengan azúcar, proteínas o almidón.
- Se recomienda usar agua destilada o filtrada, ya que el agua del grifo puede dejar depósitos de minerales en la base del horno. Use un paño empapado con vinagre o jugo de limón para retirar los depósitos de minerales que puedan haber quedado después del ciclo Steam Clean (Limpieza con vapor).

INSTRUCCIONES DE INSTALACIÓN REQUISITOS

Herramientas y piezas

Reúna las herramientas y las piezas necesarias antes de comenzar la instalación. Lea y siga las instrucciones provistas con cualquiera de las herramientas detalladas aquí.

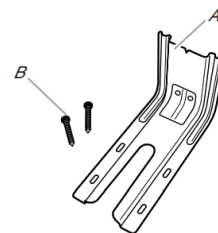
Herramientas necesarias

- | | |
|----------------------------------|--|
| ■ Cinta métrica | ■ Cinta adhesiva protectora |
| ■ Destornillador de cabeza plana | ■ Trinquete de 1/4" (6,4 mm) |
| ■ Destornillador Phillips | ■ Llave para tuercas de 1/4" (6,4 mm) |
| ■ Nivel | ■ Llave para tuercas de 3/8" (9,5 mm) y 5/16" (8 mm) |
| ■ Martillo | ■ Broca de 1/8" (3,2 mm) (para pisos de madera) |
| ■ Taladro manual o eléctrico | ■ Alicata para latón o cortacables grande (para cortar la banda de conexión a tierra de ser necesario) |
| ■ Llave o pinzas | |
| ■ Marcador o lápiz | |
| ■ Linterna | |
| ■ Llave de torsión | |

Piezas suministradas

Verifique que estén todas las piezas.

- 3 tuercas hexagonales de 10-32 (sujetas a la caja de terminal)
- 3 talones terminales



- A. Soporte antivuelco
B. Tornillos n.º 12 x 1 5/8" (41 mm) (2)

- El soporte antivuelco debe estar montado firmemente al piso o a la pared. Según el espesor del piso, es posible que sea necesario utilizar tornillos más largos para sujetar el soporte al piso.

Piezas necesarias

Si se usa un kit de cable de suministro eléctrico:

- Un kit de cable de suministro eléctrico homologado por UL marcado para uso con estufas. El cable debe estar clasificado para 250 V como mínimo, 40 A o 50 A, marcado para el uso con una abertura de conexión de diámetro nominal de $1\frac{3}{8}$ " (3,5 cm) y debe terminar en terminales de anillo o de horquilla con extremo abierto con los extremos vueltos hacia arriba.
- Un protector de cables que esté en la lista de UL.

Verifique los códigos locales. Compruebe el suministro eléctrico existente. Consulte la sección "Requisitos eléctricos" apropiada.

Es recomendable que todas las conexiones eléctricas sean hechas por un instalador eléctrico calificado autorizado.

NOTA: Asegúrese de comprar únicamente piezas y accesorios Whirlpool certificados de fábrica para su electrodoméstico. Su instalación puede requerir piezas adicionales. Para pedir las, consulte la información de contacto que figura en la Guía de inicio rápido.

Requisitos de ubicación

IMPORTANTE: Respete todos los códigos y las ordenanzas vigentes.

- Para eliminar el riesgo de quemaduras o incendio al buscar artículos encima de unidades con la superficie caliente, deberá evitarse el uso de gabinetes de almacenamiento encima de las unidades. Si van a proveerse gabinetes de almacenamiento, puede reducir el riesgo instalando una campana de estufa que se proyecte horizontalmente un mínimo de 5" (12,7 cm) sobresaliendo de la base de los gabinetes.
- Es responsabilidad del instalador cumplir con los espacios de instalación especificados en la placa que indica modelo/serie/valores nominales. La placa que indica modelo/serie/valores nominales está ubicada en el marco detrás de una esquina superior de la puerta o en alguno de los costados del cajón.
- La estufa debe ubicarse en un lugar conveniente para su uso.
- Las instalaciones empotradas deben dejar completamente encerrados los lados y la parte posterior de la estufa.
- Todas las aberturas en la pared o en el piso en donde se instalará la estufa deben estar selladas.
- Deben usarse las dimensiones de la abertura del gabinete que se muestran. Las dimensiones proporcionadas son los espacios mínimos.
- Debe instalarse el soporte antivuelco. Para instalar el soporte antivuelco enviado con la estufa, consulte la sección "Instalación del soporte antivuelco".
- Se requiere un suministro eléctrico conectado a tierra. Consulte la sección "Requisitos eléctricos" apropiada.
- Póngase en contacto con un instalador de revestimiento de pisos competente para verificar que el revestimiento del piso pueda soportar por lo menos 200 °F (93 °C).
- Use una almohadilla aislante o una madera laminada de $1/4$ " (0,64 mm) debajo de la estufa si la va a instalar sobre una alfombra.

IMPORTANTE: Para evitar daños a los gabinetes, consulte al constructor o al proveedor de los gabinetes para asegurarse de que los materiales empleados no cambien de color, no se desprenda el laminado ni sufran ningún otro tipo de daño. Este horno fue diseñado de acuerdo con los requisitos de UL y CSA International y cumple con las temperaturas máximas permitidas para gabinetes de madera de 194 °F (90 °C).

Requisitos de instalación adicionales para casas rodantes

La instalación de esta estufa debe ajustarse a la Norma para la construcción y la seguridad de casas fabricadas, título 24 CFR, parte 3280 (antes, Norma federal para la construcción y la seguridad de casas rodantes, título 24, HUD parte 280). Cuando no sea aplicable esa norma, use la Norma para instalaciones en casas fabricadas, ANSI A225.1/NFPA 501A u obedezca los códigos locales.

En Canadá, la instalación de esta estufa debe hacerse conforme con las normas vigentes de CAN/CSA-Z240.1- su edición más reciente, o con los códigos locales.

Las instalaciones en casas rodantes requieren lo siguiente:

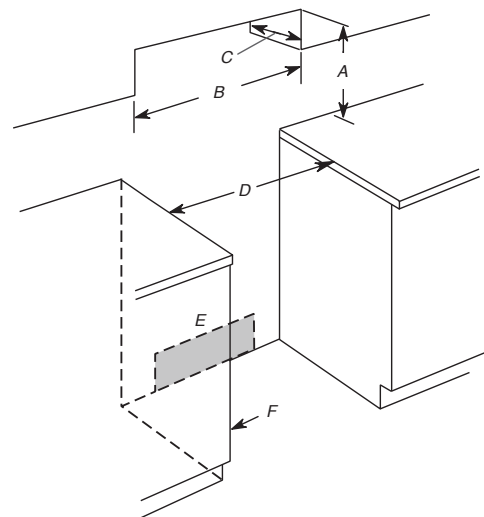
- Cuando se instale esta estufa en una casa rodante, deberá asegurarse al piso durante el transporte. Cualquier método de fijación de la estufa es adecuado en tanto cumpla con las normas antes indicadas.
- Para la instalación en una casa rodante, deberá usarse un cable de suministro eléctrico de cuatro hilos. Deberá revisarse el cableado del electrodoméstico. Consulte la sección "Conexión eléctrica, EE. UU. solamente".

Dimensiones del gabinete

Las dimensiones de abertura del gabinete que se muestran son para una profundidad de mostrador de 25" (64,0 cm), una profundidad del gabinete de la base de 24" (61,0 cm) y una altura del mostrador de 36" (91,4 cm).

IMPORTANTE: Si va a instalar una campana para estufa o una combinación microondas campana sobre la estufa, siga las instrucciones de instalación incluidas con la campana para estufa o la combinación microondas campana para las medidas de espacio sobre la superficie de cocción.

Una estufa independiente puede instalarse próxima a paredes combustibles con una separación cero.



- A. Para ver el espacio mínimo hasta la parte superior de la superficie de cocción, consulte la NOTA*.
- B. 30" (76,2 cm) ancho mínimo de abertura
- C. 13" (33 cm) profundidad máxima del gabinete superior
- D. 30" (76,2 cm) ancho mínimo de abertura
- E. Salida - 8" (20,3 cm) a 22" (55,9 cm) desde cualquiera de los gabinetes, 7" (17,8 cm) máx. desde el piso.
- F. La puerta o las bisagras del gabinete no deben extenderse dentro del área del recorte.

***NOTA:** 24" (61,0 cm) como mínimo cuando la base del gabinete de madera o de metal esté cubierta por madera moldeada retardante de llama de al menos 1/4" (0,64 cm), cubierta con una lámina de acero no inferior a N.º 28 MSG, acero inoxidable de 0,015" (0,4 mm), aluminio de 0,024" (0,6 mm) o cobre de 0,020" (0,5 mm).

30" (76,2 cm) de espacio mínimo entre la parte superior de la plataforma de la superficie de cocción y la base de un gabinete de madera o metal descubierto.

Requisitos eléctricos, en EE. UU. Únicamente

⚠ ADVERTENCIA



Peligro de choque eléctrico

Conecte este aparato con conexión a tierra.

No seguir estas instrucciones podría causar la muerte, un incendio o una descarga eléctrica.

Si los códigos lo permiten y se emplea un cable de conexión a tierra separado, es recomendable que un instalador eléctrico calificado determine si la ruta de conexión a tierra y el calibre del cable están de acuerdo con los códigos locales.

No utilice un cable de extensión.

Asegúrese de que la conexión eléctrica y el tamaño del cable sean adecuados y cumplan con el Código nacional eléctrico, ANSI/NFPA 70, su edición más reciente, y con todos los códigos y las ordenanzas locales.

Puede obtener una copia de las normas de los códigos antes indicados en:

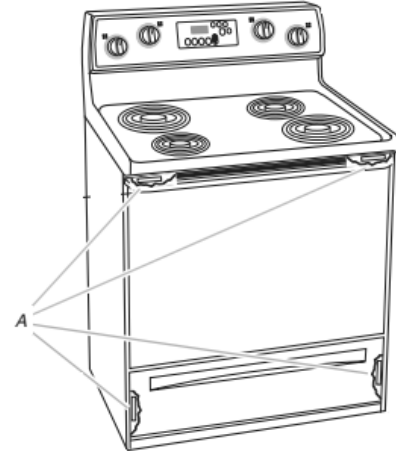
National Fire Protection Association
1 Batterymarch Park
Quincy, MA 02169-7471

ADVERTENCIA: La conexión incorrecta del conductor de conexión a tierra del equipo puede dar como resultado un choque eléctrico. Si no está seguro de que la conexión a tierra del aparato sea la adecuada, verifíquela con un electricista o un técnico de servicio calificado. No modifique el enchufe del cable de suministro eléctrico. Si no encaja en el tomacorriente, consulte con un electricista calificado para instalar un tomacorriente adecuado.

Conexión eléctrica

Para instalar la estufa correctamente, se debe determinar el tipo de conexión eléctrica que se va a usar y seguir las instrucciones que aquí se proveen para el caso.

- La estufa debe estar conectada al voltaje eléctrico y frecuencia apropiados según se especifica en la placa con el número de clasificación del modelo/serie. La placa que indica modelo/serie/valores nominales está ubicada en el marco detrás de una esquina superior de la puerta o en alguno de los costados del cajón.



A. La placa que indica modelo/serie/valores nominales está ubicada en el marco detrás de una esquina superior de la puerta o en alguno de los costados del cajón.

- Esta estufa se fabrica con el terminal neutro conectado al gabinete. Use un cable de suministro eléctrico de 3 hilos, aprobado por UL, de 40 A o 50 A (flexible). Consulte la tabla de valores nominales de la estufa a continuación. Si los códigos locales no permiten la conexión a tierra a través del neutro, use un cable de suministro eléctrico de 4 hilos clasificado para 250 voltios, 40 A o 50 A y probado para el uso con estufas.

Valores nominales de la estufa*	Valores nominales del kit de cable de suministro eléctrico y protección del circuito	
	120/240 V	120/208 V
8,8-16,5 kW		
16,6-22,5 kW		
		Amperio
		40 o 50**
		50

*La carga calculada por el Código eléctrico nacional (NEC) es inferior a la carga conectada total indicada en la placa de modelo/serie/valores nominales.

**Si se conecta a un circuito de 50 A, use un cable clasificado para 50 A con el kit. Para kits de cable clasificados para 50 A, use kits que especifique el uso con una abertura de conexión de 1³/₈" (34,9 mm) de diámetro nominal.

- Se recomienda usar un disyuntor.
- La estufa se puede conectar directamente a una caja de disyuntores (o un desconectador con fusible) a través de un cable flexible o con forro no metálico, de cobre o aluminio. Consulte la sección "Conexión eléctrica, EE.UU. solamente".
- Deje de 2 a 3 pies (61,0 cm a 91,4 cm) extra en la línea para que se pueda mover la estufa en el caso que alguna vez sea necesario darle servicio.
- Debe proveerse un conector de conducto homologado por UL en cada extremo del cable de suministro eléctrico (en la estufa y en la caja de empalmes).

- El tamaño de los hilos y las conexiones deben cumplir con la clasificación de la estufa.
- La ficha técnica está en la parte posterior de la estufa, dentro de una bolsa plástica transparente.

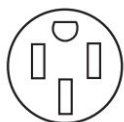
Si se va a conectar a un sistema de 4 hilos:

Esta estufa ha sido fabricada con la conexión a tierra conectada al neutro por medio de un enlace. Debe revisar la conexión a tierra para verificar que el hilo verde de puesta a tierra del cable de suministro eléctrico de 4 hilos esté conectado a la carcasa. Consulte la sección "Conexión eléctrica, EE. UU. solamente".

Está prohibido realizar la conexión a tierra a través del conductor neutro para las nuevas instalaciones de circuito derivado (1996 NEC), las casas rodantes y los vehículos de recreación, o en un área donde los códigos locales prohíban la conexión a tierra a través del conductor neutro.

Cuando usa un tomacorriente de 4 hilos Tipo NEMA 14-50R, debe usar un cable de suministro eléctrico homologado por UL para estufas (flexible), de 4 hilos, 250 V y 40 A o 50 A. Este cable contiene 4 conductores de cobre con terminales de anillo o de horquilla con extremos abiertos y hacia arriba, terminado en un enchufe Tipo NEMA 14-50P en el extremo de suministro eléctrico.

El cuarto conductor (de conexión a tierra) debe estar identificado con una cubierta verde o verde/amarilla y el conductor neutro debe estar identificado con una cubierta blanca. El cable debe ser Tipo SRD o SRDT con un protector de cables homologado por UL y de un largo mínimo de 4 pies (1,22 metros).



Tomacorriente de 4 hilos (14-50R)

Los tamaños mínimos para el conductor de suministro de cobre de 4 hilos son:

- Circuito de 40 A
- 2 conductores n.º 8
- 1 hilo blanco neutro n.º 10
- 1 hilo verde a tierra n.º 8

Si se va a conectar a un sistema de 3 hilos:

Es posible que los códigos locales permitan el uso de un cable de suministro eléctrico homologado por UL de 3 hilos, 250 V y 40 A o 50 A (flexible). Este cable contiene 3 conductores de cobre con terminales de anillo o de horquilla con extremos abiertos y hacia arriba, y termina en un enchufe tipo NEMA 10-50P en el extremo del suministro eléctrico. Los conectores del extremo del aparato deben estar a la altura en que el cable de suministro eléctrico ingresa al aparato. Para ello, se usa un tomacorriente de 3 hilos de Tipo NEMA 10-50R.



Tomacorriente de 3 hilos (10-50R)

Requisitos eléctricos – Solo en Canadá

⚠ ADVERTENCIA

Peligro de choque eléctrico

Conecte este aparato con conexión a tierra.

No seguir estas instrucciones podría causar la muerte, un incendio o una descarga eléctrica.

Si los códigos lo permiten y utiliza un cable de conexión a tierra separado, es recomendable que un instalador eléctrico competente determine si la ruta de conexión a tierra y el calibre del cable cumplen con los códigos locales.

Asegúrese de que la conexión eléctrica y el tamaño del cable sean adecuados y cumplan con el Estándar CSA C22.1, Código Canadiense de Electricidad, Parte 1, (su edición más reciente), y con todos los códigos y las ordenanzas locales.

Puede obtener una copia de las normas de los códigos antes indicados en:

Asociación canadiense de normalización (Canadian Standards Association)
178 Rexdale Blvd.
Toronto, ON M9W 1R3 CANADÁ

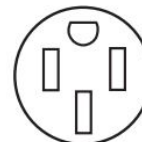
- Si no está seguro de que la conexión a tierra de la estufa sea adecuada, verifíquela con un instalador eléctrico competente.

Valores nominales de la estufa*	Valores nominales del kit de cable de suministro eléctrico y protección del circuito	
	120/240 V	120/208 V
8,8-16,5 kW	40 o 50**	40 o 50**
16,6-22,5 kW	50	50

*La carga calculada por el Código eléctrico nacional (NEC) es inferior a la carga conectada total indicada en la placa de modelo/serie/valores nominales.

**Si se conecta a un circuito de 50 A, use un cable clasificado para 50 A con el kit. Para kits de cable clasificados para 50 A, use kits que especifique el uso con una abertura de conexión de 1 3/8" (34,9 mm) de diámetro nominal.

- Se recomienda un fusible retardador o un cortacircuitos.
- Esta estufa está equipada con un cable eléctrico certificado por CSA International que debe enchufar en un tomacorriente de pared 14-50R estándar. Compruebe que el receptáculo de pared esté cerca de la ubicación definitiva de la estufa.



- No utilice un cable de extensión.

INSTALACIÓN

Desembalaje de la estufa

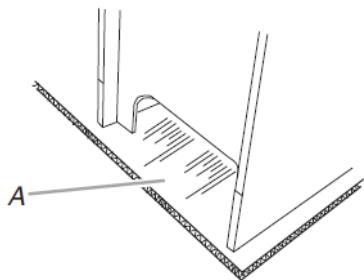
⚠ ADVERTENCIA

Peligro de peso excesivo

Use dos o más personas para mover e instalar o desinstalar el electrodoméstico.

No seguir esta instrucción puede ocasionar lesiones en la espalda o de otro tipo.

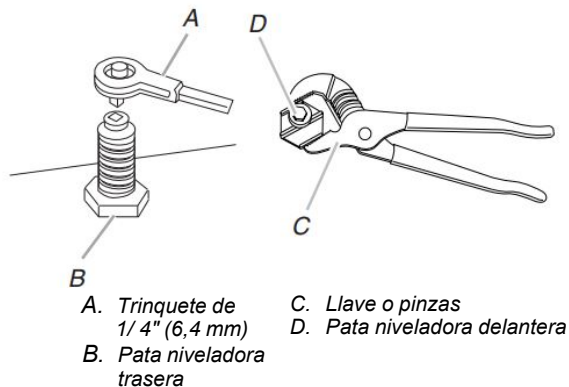
1. Quite los materiales de envío, la cinta adhesiva y la película de la estufa.
2. Saque las parrillas del horno y el paquete de piezas del interior del horno.
3. No quite la base de transporte en este momento.



A. Base de transporte

4. En las estufas con un cajón de almacenamiento:

Retire el cajón de almacenamiento. Consulte la sección "Cajón de almacenamiento". Use un trinquete de 1/4" (6,4 mm) para bajar las patas niveladoras traseras media vuelta. Use una llave o pinzas para bajar las patas niveladoras delanteras media vuelta.



A. Trinquete de 1/4" (6,4 mm)
B. Pata niveladora trasera

C. Llave o pinzas
D. Pata niveladora delantera

Instalación del soporte antivuelco

⚠ ADVERTENCIA



Peligro de vuelco

Un niño o un adulto puede volcar accidentalmente la estufa y resultar muerto.

Instale el soporte antivuelco fijado al piso o a la pared según las instrucciones de instalación.

Deslice la estufa hacia atrás de modo que la pata trasera quede enganchada en la ranura del soporte antivuelco.

Si traslada de lugar la estufa, vuelva a asegurar el soporte antivuelco.

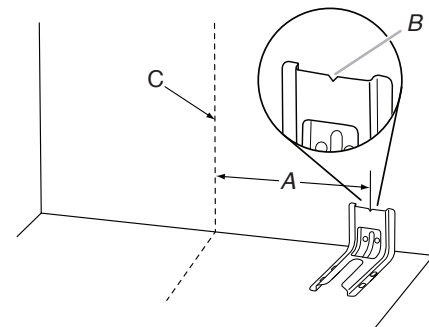
No ponga a funcionar la estufa sin tener el soporte antivuelco instalado y asegurado.

No seguir estas instrucciones puede ocasionar la muerte o quemaduras graves en niños y adultos.

1. Retire el soporte antivuelco de donde está pegado con cinta adhesiva dentro del cajón de almacenamiento.
2. Decida qué método de montaje usará: en el piso o en la pared.

Si tiene piso de piedra o de mampostería, puede usar el método de montaje en la pared. Si instala la estufa en una casa rodante, deberá fijarla al piso.

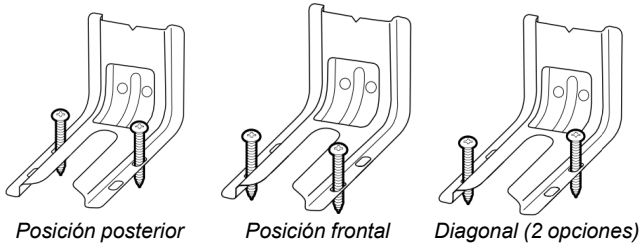
3. Determine y marque la línea central del área recortada. Puede instalar el soporte de montaje en el lado izquierdo o derecho del área recortada. Ubique el soporte de montaje contra la pared en el recorte de modo que la muesca en V del soporte esté a 12⁹/₁₆" (31,9 cm) de la línea central como se muestra.



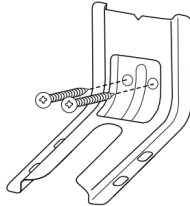
A. 12⁹/₁₆" (31,9 cm)
B. Muesca en V del soporte
C. Línea central

- Taladre dos orificios de 1/8" (3 mm) que coincidan con los orificios del soporte para el método de montaje que haya determinado. Vea las ilustraciones a continuación.

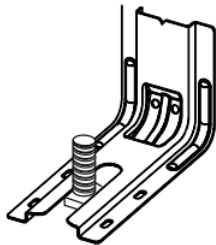
Montaje en el piso



Montaje en la pared



- Con un destornillador Phillips, monte el soporte antivuelco a la pared o al piso con los dos tornillos n.º 12 x 1 5/8" (41,3 mm) suministrados.
- Mueva la estufa lo suficientemente cerca de la abertura como para permitir que se hagan las conexiones eléctricas finales. Retire la base de envío, el cartón o la madera de debajo de la estufa.
- Mueva la estufa a su ubicación final, asegurándose de que la pata niveladora trasera se deslice en el soporte antivuelco.



- Mueva la estufa hacia delante sobre la base de envío, el cartón o la madera para continuar instalándola usando las instrucciones de instalación a continuación.

Regule las patas niveladoras

- Si es necesario regular la altura de la estufa, use una llave o pinzas para aflojar las cuatro patas niveladoras. Esto puede hacerse con la estufa sobre su parte posterior o con la estufa apoyada sobre dos patas después de haberla colocado nuevamente en posición vertical.

NOTA: Para colocar la estufa nuevamente en posición vertical, coloque una hoja de cartón o una madera delante de la estufa. Con la ayuda de dos o más personas, coloque la estufa de pie nuevamente sobre el cartón o la madera.

⚠ ADVERTENCIA



Peligro de vuelco

Un niño o un adulto puede volcar accidentalmente la estufa y resultar muerto.

Instale el soporte antivuelco fijado al piso o a la pared según las instrucciones de instalación.

Deslice la estufa hacia atrás de modo que la pata trasera quede enganchada en la ranura del soporte antivuelco.

Si traslada de lugar la estufa, vuelva a asegurar el soporte antivuelco.

No ponga a funcionar la estufa sin tener el soporte antivuelco instalado y asegurado.

No seguir estas instrucciones puede ocasionar la muerte o quemaduras graves en niños y adultos.

- Mida la distancia desde la parte superior del mostrador hasta el piso.
- Mida la distancia desde la parte superior de la superficie de cocción hasta la parte inferior de las patas niveladoras. La distancia debe ser la misma. De lo contrario, regule las patas niveladoras para corregir la altura. Las patas niveladoras pueden aflojarse para agregar hasta un máximo de 1" (2,5 cm). Se necesita un mínimo de 3/16" (5 mm) para encajar el soporte antivuelco.

NOTA: Si regula la altura cuando la estufa está de pie, incline la estufa hacia atrás para regular las patas delanteras y, después, inclínela hacia adelante para regular las patas traseras.

- Cuando la estufa esté a la altura correcta, cerciórese de que haya un espacio adecuado debajo de la estufa para el soporte antivuelco. Antes de deslizar la estufa a su ubicación final, verifique que el soporte antivuelco se pueda deslizar debajo de la estufa y sobre la pata niveladora posterior antes de instalar el soporte.

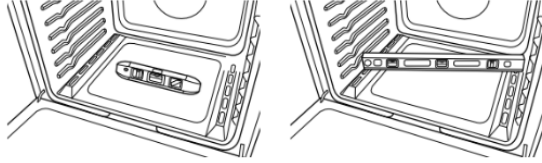
NOTA: Si se va a usar un kit de adornos, la parte superior de la superficie de cocción debe estar más alta que el mostrador. Consulte las instrucciones de instalación que se incluyen con el kit de adornos para ver la altura correcta.

Nivelación de la estufa

Determine si dispone de Limpieza a vapor consultando la sección "Mantenimiento y cuidado de la estufa".

Para estufas con Limpieza a vapor:

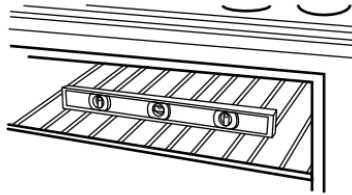
1. Coloque un nivel sobre el piso del horno, como se indica en una de las dos figuras a continuación, según el tamaño del nivel. Verifique con el nivel de lado a lado y del frente hacia la parte posterior.



2. Si la estufa no está nivelada, jale la estufa hacia adelante hasta quitar la pata niveladora posterior del soporte antivuelco.
3. Siga las instrucciones del Estilo 1.

Para estufas sin Limpieza por vapor:

1. Coloque una parrilla plana estándar en el horno.
2. Coloque el nivel sobre la parrilla y revise el nivel de la estufa, primero de lado a lado y luego de adelante hacia atrás.



3. Si la estufa no está nivelada, jale la estufa hacia adelante hasta quitar la pata niveladora posterior del soporte antivuelco.
4. Siga las instrucciones del Estilo 1.

Estilo 1: Estufas con cajón de almacenamiento:

Use un trinquete de accionamiento de 1/4", una llave o pinzas para regular las patas niveladoras hacia arriba o hacia abajo hasta que la estufa esté nivelada. Empuje la estufa a su posición final. Verifique que la pata niveladora trasera esté enganchada en el soporte antivuelco.

Conexión eléctrica, en EE. UU. Únicamente

Cable de suministro eléctrico

⚠ ADVERTENCIA



Peligro de choque eléctrico

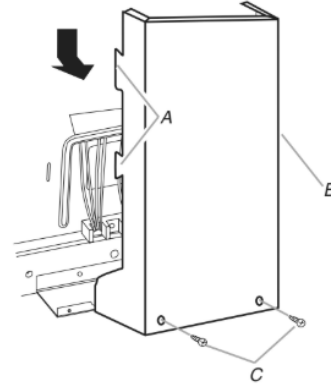
Desconecte el suministro de energía antes de realizar el servicio.

Use un cable eléctrico nuevo de 40 A.

Conéctelo a un enchufe con conexión a tierra.

No seguir estas instrucciones puede ocasionar la muerte, un incendio o un choque eléctrico.

1. Desconecte el suministro eléctrico.
2. Quite los tornillos de la tapa del bloque de los terminales ubicados en la parte posterior de la estufa. Jale la tapa hacia abajo y hacia sí mismo para sacarla de la estufa.

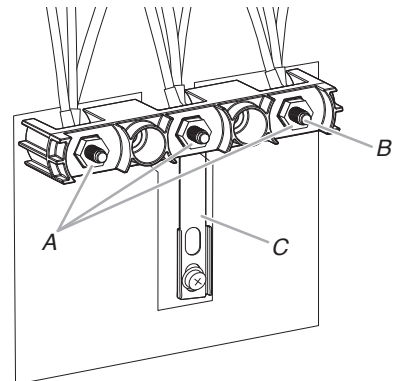


A. Dos lengüetas de montaje en cada lado

B. Tapa del bloque de terminal

C. Tornillos de cabeza hexagonal

3. Retire las tres tuercas hexagonales 10-32 de los postes de terminales.



A. Tuerca hexagonal 10-32

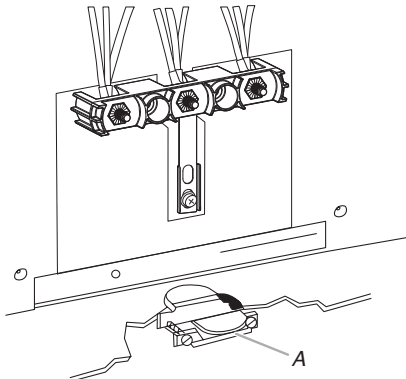
B. Postes de terminales

C. Banda de tierra

4. Agregue el protector de cables.

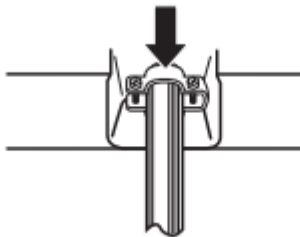
Estilo 1: Protector del cable de suministro eléctrico

- Retire el disco removible para el cable de suministro eléctrico.
- Ensamble en la abertura un protector de cables que esté homologado por UL.



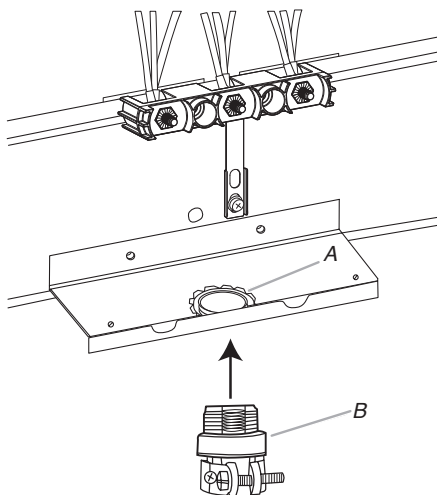
A. Protector de cables homologado por UL

- Apriete el tornillo del protector de cables contra el cable de suministro eléctrico.



Estilo 2: Protector de cables para cable directo

- Quite el disco removible según sea necesario para la conexión del conducto flexible.
- Ensamble en la abertura un conector de conducto homologado por UL.



A. Tuerca de retención removible
B. Conducto

- Apriete el tornillo del protector de cables contra el conducto flexible.



5. Complete la instalación según las instrucciones que correspondan al tipo de conexión eléctrica que tiene:

4 hilos (recomendado)

3 hilos (si la conexión de 4 hilos no está disponible)

Opciones para la Conexión Eléctrica

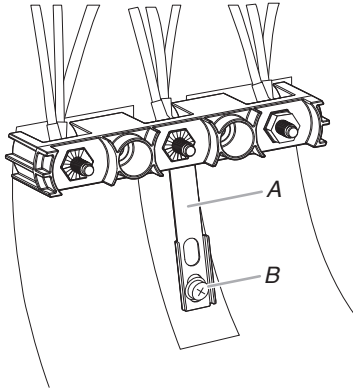
Si la casa tiene:	Y se va a hacer la conexión con:	Vaya a la sección:
Tomacorriente de 4 hilos (tipo NEMA 14-50R)	Un cable de suministro eléctrico de estufa homologado por UL, de 250 V mínimo y 40 A	Conexión de 4 hilos: Cable de suministro eléctrico
Cable directo de 4 hilos	Una caja de disyuntores o un desconector con fusible	Conexión de 4 hilos: Cable directo
A. 3/8" (1 cm) B. 5" (12 cm)		
Tomacorriente de 3 hilos (tipo NEMA 10-50R)	Un cable de suministro eléctrico de estufa homologado por UL, de 250 V mínimo y 40 A	Conexión de 3 hilos: Cable de suministro eléctrico
Cable directo de 3 hilos	Una caja de disyuntores o un desconector con fusible	Conexión de 3 hilos: Cable directo
A. 3/8" (1 cm) B. 3" (7,6 cm)		

Conexión de 4 hilos: Cable de suministro eléctrico

Use este método para:

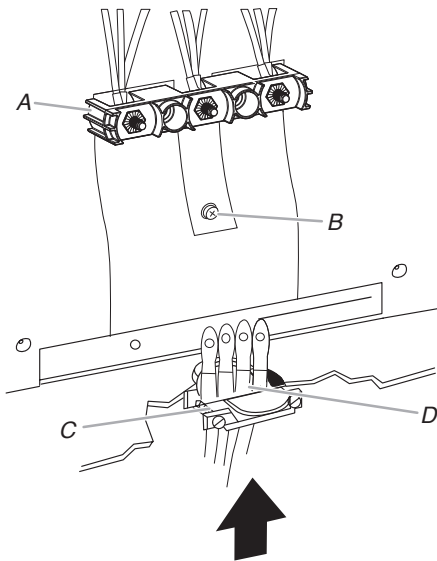
- Nuevas instalaciones de circuito derivado (1996 NEC)
- Casas rodantes
- Vehículos de recreación
- En un área donde los códigos locales prohíban la conexión a tierra a través del terminal neutro.

1. Parte de la banda metálica de conexión a tierra se debe recortar y retirar.



A. Banda metálica de conexión a tierra
B. Tornillo de puesta a tierra

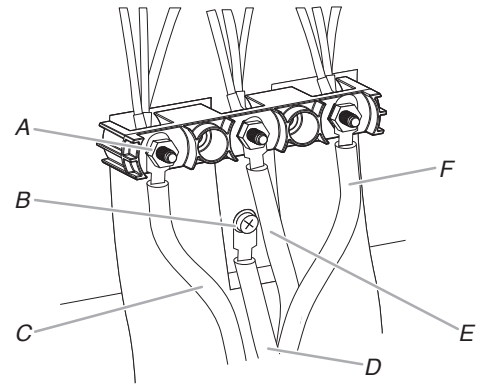
2. Use un destornillador Phillips para retirar el tornillo de puesta a tierra de la parte posterior de la estufa. Conserve el tornillo de puesta a tierra y el extremo del hilo de conexión a tierra, ubicado debajo del tornillo.
3. Pase el cable de suministro eléctrico a través del protector de cables en la placa del cable/conducto en la base de la estufa. Deje el hilo lo suficientemente flojo para poder conectar el cableado al bloque de terminales.



A. Bloque de terminales
B. Tornillo de puesta a tierra
C. Protector de cables homologado por UL
D. Hilos del cable de suministro eléctrico

4. Use un destornillador Phillips para conectar el hilo verde de puesta a tierra, del cable de suministro de energía a la estufa, con el tornillo de puesta a tierra. Debe sujetarse primero el hilo de puesta a tierra.

5. Use una llave para tuercas de 3/8" (9,5 mm) para conectar el hilo neutro (blanco) al poste central del bloque de terminales con una de las tuercas hexagonales de 10-32.



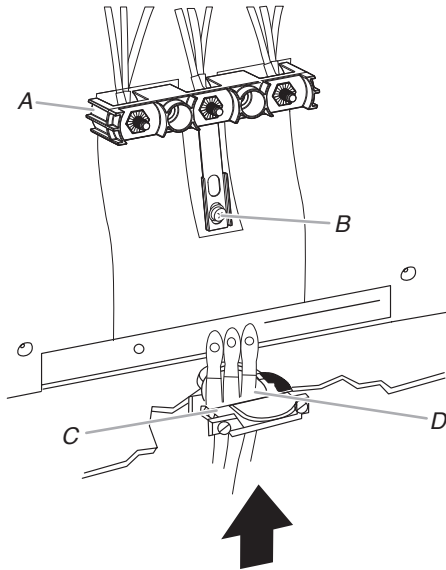
A. Tuerca hexagonal 10-32
B. Tornillo de puesta a tierra
C. Línea 2 (roja)
D. Hilo de conexión a tierra verde
E. Hilo neutro (central)
F. Línea 1 (negra)

6. Conecte los hilos de la línea 2 (rojo) y de la línea 1 (negro) a los postes externos del bloque de terminales con tuercas hexagonales 10-32.
7. Con una llave de torsión apriete las tuercas hexagonales a un torque recomendado de 20 lb.-pulg. (2,3 Nm).
NOTA: Para reemplazar el cable de suministro eléctrico, use únicamente un cable eléctrico clasificado para 250 V como mínimo, 40 A o 50 A, marcado para uso con una abertura de conexión de 1 3/8" (3,5 cm) de diámetro nominal, con terminales de anillo y marcado para uso con estufas.
8. Apriete los tornillos del protector de cables.
- IMPORTANTE:** Verifique el apriete de las tuercas hexagonales.
9. Vuelva a colocar la tapa de acceso del bloque de terminales.

Conexión de 3 hilos: Cable de suministro eléctrico

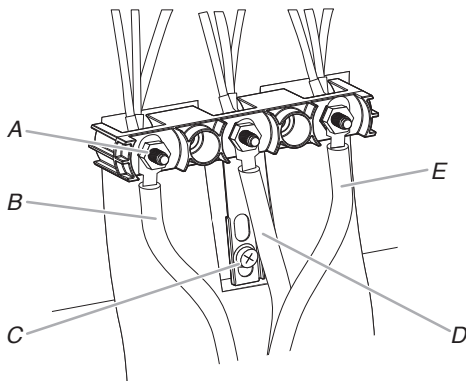
Use este método solamente si los códigos locales permiten conectar el conductor a tierra del chasis al hilo neutro del cable de suministro eléctrico.

1. Pase el cable de suministro eléctrico a través del protector de cables en la placa del cable/conductor en la base de la estufa. Deje el hilo lo suficientemente flojo para poder conectar el cableado al bloque de terminales.



- A. Bloque de terminales
B. Tornillo de puesta a tierra
C. Protector de cables homologado por UL
D. Hilos del cable de suministro eléctrico, abertura grande

2. Use una llave para tuercas de 3/8" (9,5 mm) para conectar el hilo neutro (blanco) al poste central del bloque de terminales con una de las tuercas hexagonales de 10-32.



- A. Tuerca hexagonal 10-32
B. Línea 2 (roja)
C. Tornillo de puesta a tierra
D. Hilo neutro (blanco)
E. Línea 1 (negra)

3. Conecte los hilos de la línea 2 (rojo) y de la línea 1 (negro) a los postes externos del bloque de terminales con tuercas hexagonales 10-32.
4. Con una llave de torsión apriete las tuercas hexagonales a un torque recomendado de 20 lb.-pulg. (2,3 Nm).

NOTA: para reemplazar el cable de suministro eléctrico, use únicamente un cable eléctrico clasificado para 250 V como mínimo, 40 A o 50 A, marcado para uso con una abertura de conexión de 1 3/8" (3,5 cm) de diámetro nominal, con terminales de anillo y marcado para uso con estufas.

5. Apriete los tornillos del protector de cables.

IMPORTANTE: Verifique el apriete de las tuercas hexagonales.

6. Vuelva a colocar la tapa de acceso del bloque de terminales.

Cable directo

⚠ ADVERTENCIA



Peligro de choque eléctrico

Desconecte el suministro eléctrico antes de realizar el servicio.

Use un cable de cobre de calibre 8 o un cable de aluminio de calibre 6.

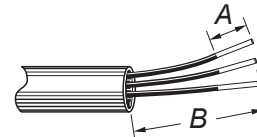
Conecte la estufa a tierra.

No seguir estas instrucciones puede ocasionar la muerte, incendio o choque eléctrico.

Instalación de cable directo: Cable de cobre o aluminio

Esta estufa se puede conectar directamente a la desconexión con fusible o a la caja de disyuntores. Según el suministro eléctrico que tenga, realice la conexión de 3 o de 4 hilos necesaria.

1. Pele el recubrimiento exterior 3" (7,6 cm) para que los hilos queden expuestos. Pele 1" (2,5 cm) del aislamiento en el extremo de cada hilo.



- A. 3/8" (1 cm)
B. 3" (7,6 cm)

2. Deje suficiente holgura en el hilo como para fijar el bloque de terminales del cableado con facilidad.
3. Complete la conexión eléctrica de acuerdo con el tipo de suministro que usted tenga.

4 hilos (recomendado)

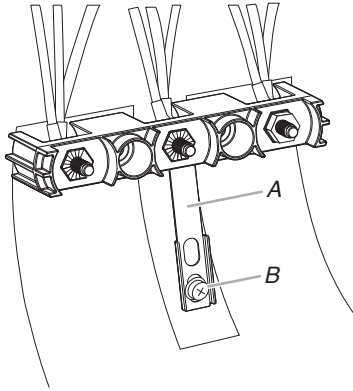
3 hilos (si la conexión de 4 hilos no está disponible)

Conexión de 4 hilos: Cable directo

Use este método para:

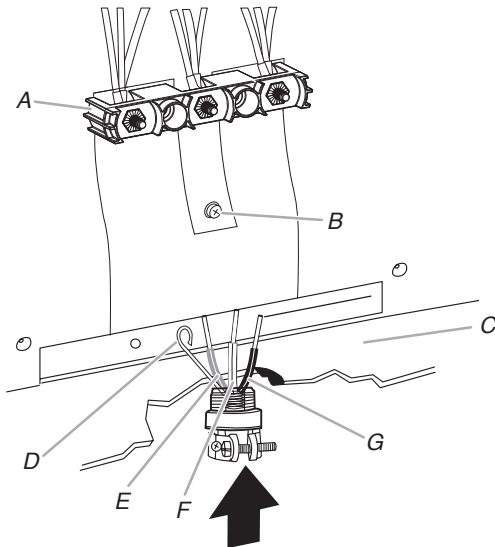
- Nuevas instalaciones de circuito derivado (1996 NEC)
- Casas rodantes
- Vehículos de recreación
- En un área donde los códigos locales prohíban la conexión a tierra a través del terminal neutro.

1. Parte de la banda metálica de conexión a tierra se debe recortar y retirar.



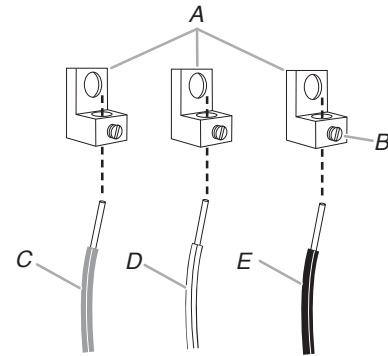
A. Banda metálica de conexión a tierra
B. Tornillo de puesta a tierra

2. Use un destornillador Phillips para retirar el tornillo de puesta a tierra de la parte posterior de la estufa. Conserve el tornillo de puesta a tierra y el extremo del hilo de conexión a tierra, ubicado debajo del tornillo.
3. Pase los cables a través del protector de cables en la base de la estufa. Deje holgura suficiente como para fijar el cableado al bloque de terminales con facilidad.



A. Bloque de terminales
B. Tornillo de puesta a tierra
C. Placa de cable/conducto
D. Hilo desnudo de conexión a tierra (verde)
E. Hilo de línea 2 (rojo)
F. Hilo neutro (blanco)
G. Hilo de línea 1 (negro)

4. Sujete las lengüetas de los terminales a los hilos de la línea 1 (negra), neutra (blanca) y línea 2 (roja). Afloje (no quite) el tornillo opresor que está en el frente de la lengüeta del terminal e inserte el extremo del hilo expuesto a través de la base de las lengüetas de los terminales. Apriete con firmeza el tornillo opresor con la torsión que se muestra en la siguiente tabla Especificaciones de torsión para hilos desnudos.



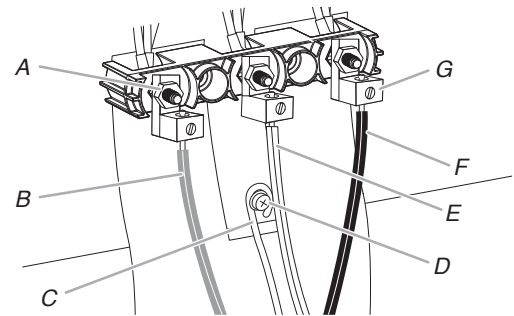
A. Lengüeta de terminal
B. Tornillo de ajuste
C. Hilo de línea 2 (rojo)
D. Hilo neutro (blanco)
E. Hilo de línea 1 (negro)

Especificaciones de torsión para hilos desnudos

Cómo fijar los talones terminales al bloque de terminal - 20 lb-in (2,3 Nm).

Calibre del hilo	Par de torsión
Cobre, calibre 8	25 lb-in (2,8 Nm)
Aluminio, calibre 6	35 lb-in (4,0 Nm)

5. Use un destornillador hexagonal o Phillips para conectar el hilo a tierra (verde) desnudo a la estufa con el tornillo de puesta a tierra y la sección de conexión a tierra. Primero se debe fijar el cable a tierra, que no debe estar en contacto con ningún otro terminal.
6. Use una llave para tuercas de 3/8" para conectar el hilo neutro (blanco) al poste central del bloque de terminales con una de las tuercas hexagonales de 10-32.



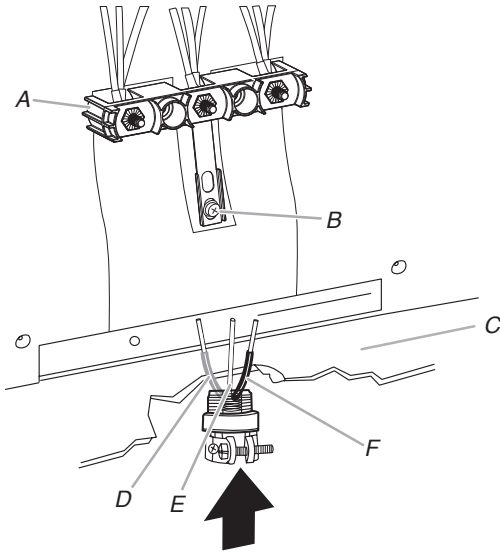
A. Tuerca hexagonal 10-32
B. Línea 2 (roja)
C. Hilo desnudo de conexión a tierra (verde)
D. Tornillo de puesta a tierra
E. Hilo neutro (blanco)
F. Línea 1 (negra)
G. Lengüeta de terminal

7. Conecte los hilos de la línea 2 (rojo) y de la línea 1 (negro) a los postes externos del bloque de terminales con tuercas hexagonales 10-32.
8. Con una llave de torsión apriete las tuercas hexagonales a un torque recomendado de 20 lb.-pulg. (2,3 Nm).
9. Apriete firmemente las tuercas hexagonales.
IMPORTANTE: Verifique el apriete de las tuercas hexagonales.
10. Vuelva a colocar la tapa de acceso del bloque de terminales.

Conexión de 3 hilos: Cable directo

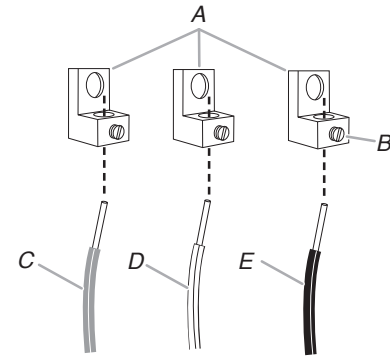
Use este método solamente si los códigos locales permiten conectar el conductor al hilo neutro de suministro eléctrico.

1. Pase los cables a través del conducto en la placa del cable/conducto en la base de la estufa. Deje el hilo lo suficientemente flojo para poder conectar el cableado al bloque de terminales.



- A. Bloque de terminales
- B. Tornillo de puesta a tierra
- C. Placa de cable/conducto
- D. Hilo de línea 2 (rojo)
- E. Hilo desnudo de conexión a tierra (verde)
- F. Hilo de línea 1 (negro)

2. Fije las lengüetas de los terminales a los hilos de la línea 2 (rojo), de conexión a tierra desnudo (verde) y de la línea 1 (negro). Afloje (no quite) el tornillo opresor que está en el frente de la lengüeta del terminal e inserte el extremo del hilo expuesto a través de la base de las lengüetas de los terminales. Apriete con firmeza el tornillo opresor con la torsión que se muestra en la tabla Especificaciones de torsión para hilos desnudos.



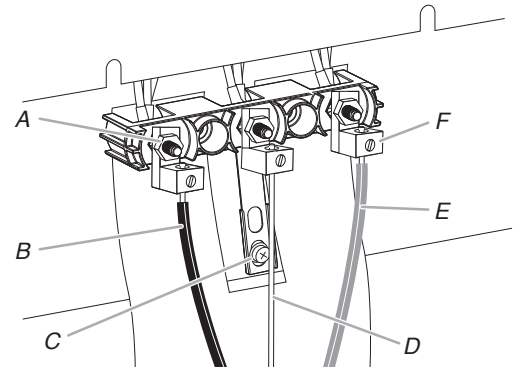
- A. Lengüeta de terminal
- B. Tornillo de ajuste
- C. Hilo de línea 2 (rojo)
- D. Hilo desnudo de conexión a tierra (verde)
- E. Hilo de línea 1 (negro)

Especificaciones de Torsión para Hilos Desnudos

Fijación de lengüetas de los terminales al bloque de terminales - 20 lb.-pulg. (2,3 N-m).

Calibre del hilo	Par de torsión
Cobre, calibre 8	25 lb.-pulg. (2,8 Nm)
Aluminio, calibre 6	35 lb.-pulg. (4,0 Nm)

3. Use una llave para tuercas de 3/8" (9,5 mm) para conectar el hilo a tierra (verde) desnudo al poste central del bloque de terminales con una de las tuercas hexagonales de 10-32.



- A. Tuerca hexagonal 10-32
- B. Línea 2 (roja)
- C. Tornillo de puesta a tierra
- D. Hilo desnudo de conexión a tierra (verde)
- E. Línea 1 (negra)
- F. Lengüeta de terminal

4. Conecte los hilos de la línea 2 (rojo) y de la línea 1 (negro) a los postes externos del bloque de terminales con tuercas hexagonales 10-32.
5. Con una llave de torsión apriete las tuercas hexagonales a un par recomendado de 20 lb.-pulg. (2,3 Nm).
6. Apriete firmemente las tuercas hexagonales.
IMPORTANTE: Verifique el apriete de las tuercas hexagonales.
7. Vuelva a colocar la tapa de acceso del bloque de terminales.

Verifique que el soporte antivuelco esté instalado y enganchado

En las estufas con un cajón de almacenamiento:

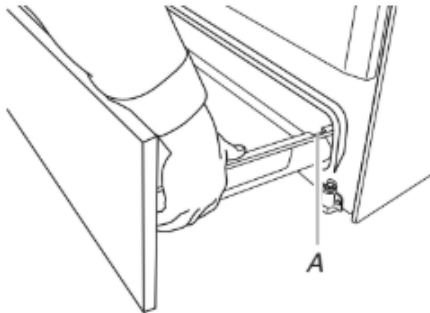
1. Retire el cajón de almacenamiento. Consulte la sección "Cajón de almacenamiento".
2. Use una linterna para mirar debajo de la parte inferior de la estufa.
3. Verifique visualmente que la pata trasera de la estufa esté insertada en la ranura del soporte antivuelco.

Cajón de almacenamiento

El cajón de almacenamiento puede retirarse. Antes de retirarlo, cerciórese de que esté frío y vacío.

Para retirar:

1. Retire el cajón de almacenamiento en sentido recto hasta el tope.

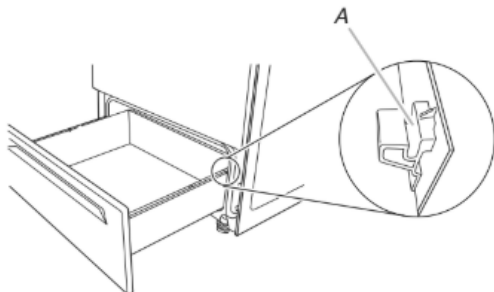


A. Muesca de tope del cajón

2. Levante el frente del cajón y tire del cajón hacia afuera.

Para colocar:

1. Levante el frente del cajón y coloque la parte posterior del cajón dentro de la estufa de modo que la muesca de tope del cajón quede detrás de la guía del cajón.
2. Baje el cajón de modo que el borde del riel de deslizamiento caiga dentro de la ranura en la guía del cajón.
3. Empuje lentamente el cajón dentro de la estufa.



A. Enganche la guía del cajón

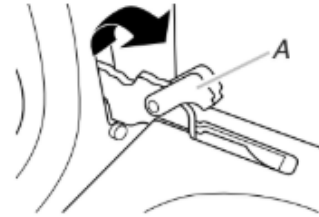
NOTA: cuando están correctamente instaladas, las guías deslizantes posteriores de la base del cajón se engancharán con los rieles de la base y el cajón no se inclinará cuando se coloquen elementos en su interior.

Puerta del horno

Para el uso normal de la estufa, se sugiere no retirar la puerta del horno. Sin embargo, si es necesario quitarla, asegúrese de que el horno esté apagado y frío. Después, siga estas instrucciones. La puerta del horno es pesada.

Para retirar:

1. Abra por completo la puerta del horno.
2. Tome la traba de la bisagra con 2 dedos y tire hacia adelante. Repita en el otro lado de la puerta del horno.



A. Traba de la bisagra

3. Cierre la puerta del horno tanto como sea posible.
4. Levante la puerta del horno sosteniéndola de ambos lados.

Continúe empujando la puerta del horno para cerrarla y sáquela del marco de la puerta del horno.



Para colocar:

1. Inserte los dos brazos de suspensión en la puerta.



2. Abra la puerta del horno. Debería escuchar un chasquido cuando la puerta queda en su lugar.
3. Mueva las palancas de la bisagra nuevamente a la posición trabada. Verifique que la puerta pueda abrirse y cerrarse bien. De lo contrario, repita los procedimientos para retirar y colocar la puerta.

Finalización de la instalación

1. Verifique que todas las piezas estén ahora instaladas. Si sobra alguna pieza, repase todos los pasos para averiguar cuál omitió.
2. Verifique que tenga todas las herramientas.
3. Deseche o recicle todo el material de embalaje.
4. Verifique que la estufa esté nivelada. Consulte la sección "Nivelación de la estufa".

5. Use una solución suave de limpiador doméstico líquido y agua tibia para quitar el residuo ceroso que deje el material de embalaje. Seque meticulosamente con un paño suave. Para obtener más información, consulte la sección "Cuidado y mantenimiento de la estufa".
6. Lea la Guía de inicio rápido y la Guía de controles en línea.
7. Enchufe el cable de suministro de energía en el contacto apropiado. Encienda el aparato.
8. Encienda los quemadores de superficie y el horno. Consulte la Guía de inicio rápido y la Guía de controles en línea para obtener instrucciones específicas sobre el funcionamiento de la estufa.

Si la estufa no funciona, revise lo siguiente:

- Que el fusible de la casa esté intacto y ajustado, o que no se haya disparado el disyuntor.
 - Que la estufa esté conectada en un tomacorriente con conexión a tierra.
 - Que el suministro eléctrico esté conectado.
- IMPORTANTE:** Si aparece un código de error "F9" o "F9, E0" en el control de la estufa, es posible que el tomacorriente de la casa esté mal cableado. Desconecte la electricidad y póngase en contacto con un electricista calificado para verificar el suministro eléctrico.
- Consulte la sección "Solución de problemas" en línea.

Cuando la estufa haya estado encendida durante 5 minutos, verifique que haya calor. Si la estufa está fría, apáguela y póngase en contacto con un electricista competente.

Cómo mover la estufa

⚠ ADVERTENCIA



Peligro de vuelco

Un niño o un adulto puede volcar accidentalmente la estufa y resultar muerto.

Instale el soporte antivuelco fijado al piso o a la pared según las instrucciones de instalación.

Deslice la estufa hacia atrás de modo que la pata trasera quede enganchada en la ranura del soporte antivuelco.

Si traslada de lugar la estufa, vuelva a asegurar el soporte antivuelco.

No ponga a funcionar la estufa sin tener el soporte antivuelco instalado y asegurado.

No seguir estas instrucciones puede ocasionar la muerte o quemaduras graves en niños y adultos.

Cuando mueva la estufa, deslícela sobre un pedazo de cartón o madera para prevenir que se dañe el revestimiento del piso.

Si es necesario quitar la estufa para limpiar o realizar mantenimiento:

Para estufas conectadas con cable de suministro eléctrico:

1. Deslice la estufa hacia adelante.
2. Desenchufe el cable de suministro eléctrico.

3. Termine la limpieza o el mantenimiento.
4. Enchufe el cable de suministro eléctrico.
5. Verifique que el soporte antivuelco esté instalado y enganchado. Consulte la sección "Verifique que el soporte antivuelco esté instalado y enganchado".
6. Verifique que la estufa esté nivelada.

Para estufas de cableado directo:

⚠ ADVERTENCIA



Peligro de choque eléctrico

Desconecte el suministro eléctrico antes de realizar el servicio.

Vuelva a colocar las piezas y los paneles antes de usar la fábrica.

Si no lo hace, puede ocasionar una descarga eléctrica e incluso una muerte.

1. Desconecte el suministro eléctrico.
2. Deslice la estufa hacia adelante.
3. Termine la limpieza o el mantenimiento.
4. Verifique que el soporte antivuelco esté instalado y enganchado. Consulte la sección "Verifique que el soporte antivuelco esté instalado y enganchado".
5. Verifique que la estufa esté nivelada.
6. Reconecte el suministro eléctrico.

NOTES

NOTES

NOTES

NOTES

NOTES

NOTES

©2024 All rights reserved. Used under license in Canada.

Tous droits réservés. Utilisé sous licence au Canada.

Todos los derechos reservados. Se usa bajo licencia en Canadá.